

FILTER-WATER-SEPARATOR

Dear Customer,

Thank you for your confidence in our product.

In the following pages you will find the technical data required for the trouble-free installation and maintenance of these pneumatic components. Please read the instructions fully to ensure that the product will give you long, trouble-free service.

Warning: Servicing and repair work must only be carried out by a qualified technician.




1. TECHNICAL DATA


| <i>Characteristics</i> | | | Pressures quoted as gauge pressure | | |
|--|--|--|--|---------------------------------|-------------------------|
| Port size | | | G1/8 | G1/4 | G3/8 |
| Pore size of filter element | | μm | 30 (white) 5 (yellow) | | |
| Max. condensate capacity | | cm^3 | 22 | | |
| Condensate drainage | | | Standard: manual On request: semiautomatic (with pressure relief) | | |
| Installation | | | Vertical | | |
| Medium and ambient temperature range | ϑ_{min} ϑ_{max} | $^{\circ}\text{C}$ $^{\circ}\text{C}$ | 0 +50 at 10 bar | (other temperatures on request) | |
| Weight (mass) | | kg | 0,25 | | |
| <i>Pneumatic Characteristics</i> | | | | | |
| Operating pressure range Inlet | $p_{1\text{min}}$ $p_{1\text{max}}$ | bar | 0 16 | | |
| Recommended flow rate ① | Q_n | l/min m^3/h | 300 18 | 550 33 | 850 51 |
| Maximum flow rate ② | Q_{max} | l/min m^3/h | 990 59 | 1440 86 | 1520 91 |
| Filtration efficiency at recommended flow rate | η | % | 95 | 95 | 90 |

① at $p_1=6$ bar and 25 m/s

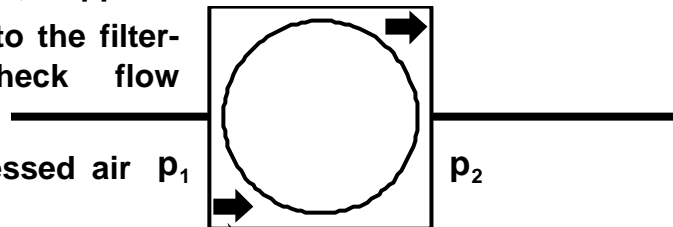
② at $p_1=6,3$ bar, $\Delta p=1$ bar

2. INSTALLATION INSTRUCTIONS

Warning:  The unit must only be used in industrial applications for compressed air.
To avoid danger of injuries, the compressed air system must be fully depressurized while pneumatic components are being installed.

Note:  The bowl must not come into contact with the following materials (whether in liquid or gaseous form): acetone, benzene, brake fluid, chloroform, acetic acid, glycerine, methanol, carbon bisulphide, tri-, tetra- and per-compounds, toluene, xylene (cellulose thinners) and high flash-point synthetic oils (e.g. phosphoric ester base, etc.). If in doubt, please consult your sales contact.

1. Clean any rust particles or other dirt out of the tubing.
2. Fit a mounting bracket, if applicable.
3. Connect the tubing to the filter-water-separator (check flow direction!).
4. Turn on the compressed air p_1 supply.



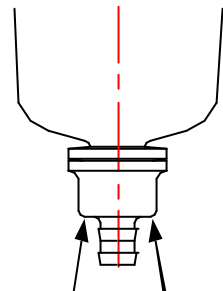
See flow direction arrows on top of unit!

3. MAINTENANCE

3.1. Manual Drainage

Push the plastic part up against the bowl to open the valve and drain the condensate.

The condensate level must never be above the „maximum“ mark on the bowl.



3.2. Cleaning the Filter Element

As soon as serious pressure drop is observed, clean the filter element and bowl.

Clean the filter element with petrol, paraffin or similar and blow it out from inside to outside. The element must be completely dry before reassembly.

The bowl and the other plastic parts should only be cleaned with warm water and normal washing-up liquid.

4. DISMANTLING

Warning: To avoid danger of injuries, the unit must only be dismantled with the pneumatic system completely depressurized!



1. Screw off bowl ⑤.
2. Unlock deflector disc ③ by turning it to the left and pull it off the spigot.
3. Pull conical filter element ② from its seat.
4. Remove O-ring $\varnothing 35 \times 2$ ④ from housing.

5. REASSEMBLY

Reassembly of the unit is carried out in reverse order.

Note: If new seals are fitted, grease them thoroughly before fitting.



1. Place O-ring $\varnothing 35 \times 2$ ④ in housing.
2. Push filter element ② (5 μm ...yellow, 30 μm ... white) into its seat.
3. Push deflector disc ③ with slot on to spigot, press gently and turn to right to lock it.
4. Screw bowl ⑤ back into housing hand-tight.

6. FITTING AND REMOVING THE BOWL GUARD

Fitting:

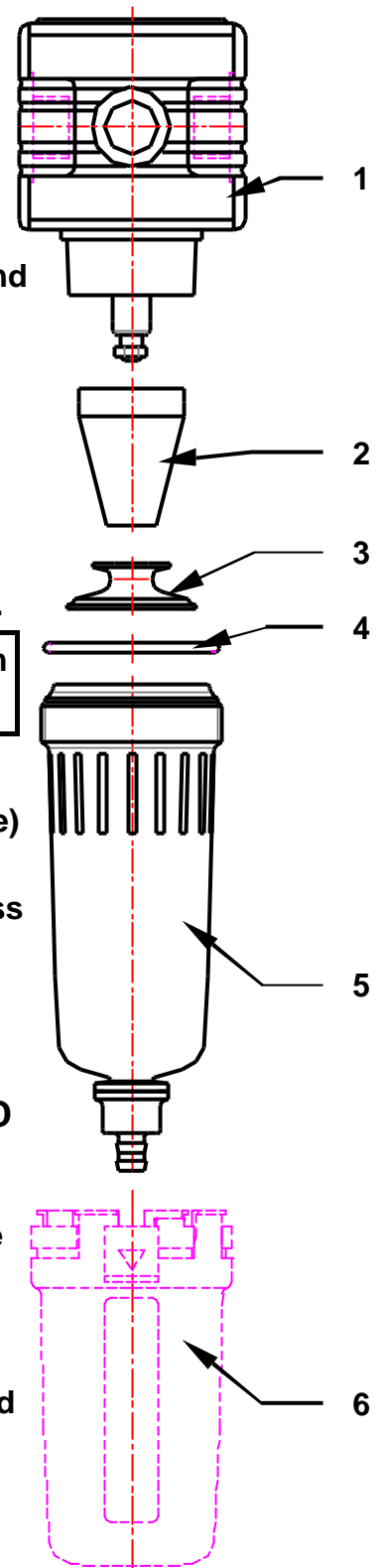
Locate the lugs of the guard ⑥ in the recess of the housing ① and lock it by turning it to the right.

Removal:

Press the release catch (see arrow) and turn the guard to the left.

7. DISPOSAL

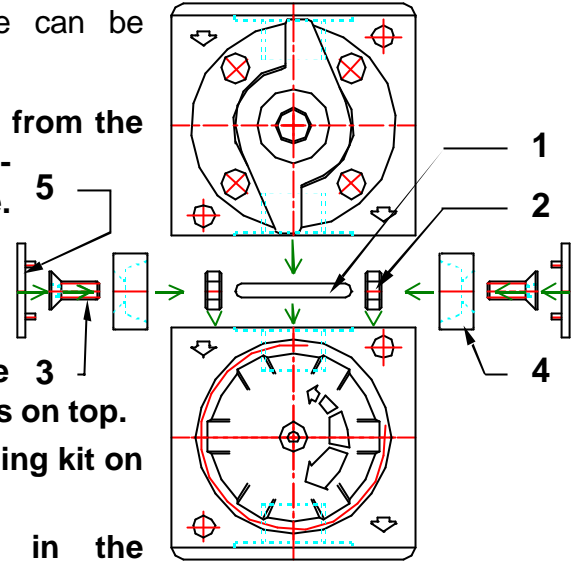
The method of disposal of packaging and discarded parts must comply with local regulations.



8. ASSEMBLY OF SEVERAL COMPONENTS

Only components of the same size can be assembled into combined units.

1. Remove the black cover plates from the inlets and outlets of the components you wish to assemble. The coloured cover plates remain in place.
2. Turn the component so that the flange surface which is to be joined to the other component is on top.
3. Lay the O-ring ① from the coupling kit on the flange surface.
4. Place the hexagon nuts ② in the recesses on the component.
5. Place the other component on the flange surface.
6. Place the clamping cones ④ with the screws ③ in the recesses on the components.
7. Tighten the clamping screws.
8. Push the small cover plates ⑤ from the coupling kit on to the clamping cones.



9. FITTING THE MOUNTING BRACKET

1. Remove the coloured cover plate from the component.
2. Screw the mounting bracket to the component with the screws provided using a Phillips screwdriver.

Note: The mounting bracket can be fitted with the mounting strap either upwards or downwards.

