

Air Preparation and Control Accessories



Moduflex FRLs

Stainless Steel FRLs



MPT40

Cylinder Controls



Moduflex FRLs

The Moduflex modular air preparation system is constructed out of aluminium providing the advantages of both lightweight and strength.

Combinations may be assembled quickly and easily, the individual units combine face to face with no intermediate block and

No increase in overall dimension.

The unique 'Cliplok' fastener enables combinations of units to be built in a fraction of the time taken by more traditional systems.

The unique one piece body design overcomes the need for a separate bowl, large sight slots are provided as standard.



Body ported as standard with alternative port sizes via optional port blocks.

'Cliploks' locate and fix units in combination, allowing easy removal for servicing with no width penalty.

Manual, semi-automatic and fully automatic drain options are available, recessed into the base plate for extra safety & protection from damage.

Filter

Moduflex Series standard Filter units feature 5 micron elements as standard with a 40 micron option.



Options include Coalescing units for the removal of oil and water aerosols and Adsorber units with activated carbon elements for the removal of hydrocarbon vapours.



Regulator

The Moduflex Series Regulators feature precise control with low hysteresis.

The rolling diaphragms also provide longer service life than flat diaphragm designs.



An optional version of the regulator may be Manifold Mounted for common inlet installations, providing any number of subsidiary p2 pressures.

Lubricator

The Moduflex Series Lubricators provide constant, controlled lubrication to down stream equipment, increasing service life and reducing down time.

Moduflex Series Oil Mist type lubricators offer up to twice the oil capacity than traditional designs.



Filter/Regulator

Moduflex Series Filter-Regulators combine precise control with precise control with the advantages of integral filtration.

The ideal solution to space saving in combined installations.

Optional tamperproof kit for Regulators and Filter/Regulators



Soft Start Valves



Moduflex Series Combined Soft Start/Dump Valves, provide for the safe introduction of pressure to machines or systems.

Soft Start/Dump Valves when set, allow the pressure to gradually build to the set point before fully opening to deliver full flow at line pressure.

Dump Valves



Moduflex Series Dump Valves enable the depressurisation of downstream air in the event of an emergency or system failure. They are provided with high visibility large red striker knobs and vent through the exhaust port.

Moduflex Series Dump Valves may be used as stand alone units or assembled into Moduflex combination units.

Ball Valves



Moduflex Series Ball Valves provide shut off line pressure with non-sticking 90° turn handle locking versions to prevent unauthorised adjustment. When the inlet pressure is turned off the downstream vent through the exhaust port.

'Cliplock System'



The unique 'Cliplok' allows units to be pipe connected together, without the use of connectors, saving space whilst providing constant mounting centres.

For wall mounting 'Cliplocks' with integral wall brackets are available. They are assembled in exactly the same way and are locked in position with a sliding clip. Wall mounted 'Cliplocks' can be left attached to the wall and the unit will slide off, once the sliding clips have been lifted.

Optional Port Block Kits



To change port sizes a selection of Port Block Kits which are attached to any unit with 'Cliplok' system. Allows assemblies to be removed from a hard piped system.

Rear Entry Connector Kits



The Rear Entry Connector is available in G1/2. port size and enables single units or combinations to be mounted on a bulkhead with the air connections made from the rear.



'Cliplocks' locate and fix units in combination, allowing easy removal for servicing with no width penalty.

Off the Shelf Air Preparation



- Boxed set combinations available
- Air service sets with mounting brackets and pressure gauge
- High efficiency water and particle removal
- Rolling diaphragm for extended life
- No tools for servicing
- Easy to service filter cartridge



ATEX approval:
CE Ex II 3 GD
Safety norms:
ISO 4414 EN 983



Body ported as standard with a choice of BSPP, BSPT and NPT threadforms

Manual, semi-auto and automatic drain options are available.

Large sights provided as standard

Standard filter units feature 5 micron element.

Condensate bowl

One hand operation for easy servicing, no small easily lost part to worry about.

Moduflex Series Filter Elements

Moduflex Series standard Filter units feature 5 micron elements as standard.

Options include Coalescing units for the removal of oil and water aerosols and Adsorber units with activated carbon elements for the removal of hydrocarbon vapours.

The unique one piece body design overcomes the need for a separate bowl. Featuring an easy to use 1/8 turn base plate for filter element removal with positive latch to ensure correct and safe refitting.

The element cartridge is a snap fit, one piece cartridge assembly which is easy to remove and replace for servicing, no tools required.



Filter + Regulator + Lubricator



Port size	Description	P3H Series	P3K Series	P3M Series
1/4	Manual drain	P3HCB12SEMNLMB		
1/4	Semi auto drain	P3HCB12SESNLMB		
1/2	Manual drain		P3KCB14SEMNLMB	
1/2	Semi auto drain		P3KCB14SESNLMB	
1/2	Auto drain		P3KCB14SEANLMB	
3/4	Manual drain			P3MCB16SEMNLMB
3/4	Auto drain			P3MCB16SEANLMB
1"	Manual drain			P3MCB18SEMNLMB
1"	Auto drain			P3MCB18SEANLMB

Ball Valve + Filter/Regulator



Port size	Description	P3H Series	P3K Series	P3M Series
1/4	Manual drain	P3HAN12SEMNGB		
1/4	Semi auto drain	P3HAN12SESNGB		
1/2	Manual drain		P3KAN14SEMNGB	
1/2	Semi auto drain		P3KAN14SESNGB	
1/2	Auto drain		P3KAN14SEANB	
3/4	Manual drain			P3MAN16SEMNGB
3/4	Auto drain			P3MAN16SEANB
1"	Manual drain			P3MAN18SEMNGB
1"	Auto drain			P3MAN18SEANB

Ball Valve + Filter/Regulator + Lubricator



Port size	Description	P3H Series	P3K Series	P3M Series
1/4	Manual drain	P3HAA12SEMNLMB		
1/4	Semi auto drain	P3HAA12SESNLMB		
1/2	Manual drain		P3KAA14SEMNLMB	
1/2	Semi auto drain		P3KAA14SESNLMB	
1/2	Auto drain		P3KAA14SEANLMB	
3/4	Manual drain			P3MAA16SEMNLMB
3/4	Auto drain			P3MAA16SEANLMB
1"	Manual drain			P3MAA18SEMNLMB
1"	Auto drain			P3MAA18SEANLMB

Filter/Regulator + Lubricator



Port size	Description	P3H Series	P3K Series	P3M Series
1/4	Manual drain	P3HCA12SEMNLMB		
1/4	Semi auto drain	P3HCA12SESNLMB		
1/2	Manual drain		P3KCA14SEMNLMB	
1/2	Semi auto drain		P3KCA14SESNLMB	
1/2	Auto drain		P3KCA14SEANLMB	
3/4	Manual drain			P3MCA16SEMNLMB
3/4	Auto drain			P3MCA16SEANLMB
1"	Manual drain			P3MCA18SEMNLMB
1"	Auto drain			P3MCA18SEANLMB

All combination sets include: pressure gauge and mounting brackets.
Other combinations available on request.

Moduflex FRLs

Standard Filter

- Integral 1/8, 1/4, 3/8, 1/2, 3/4 or 1" ports (BSPP & NPT)
- High efficiency 5 micron element as standard
- Excellent water removal efficiency
- Robust but lightweight aluminium construction
- One hand operation for easy element cartridge removal
- Positive bayonet latch to ensure correct & safe fitting
- No small easily lost parts
- No tools required for servicing



Operating Information

Flow:	P3H Series		P3K Series		P3M Series		
	1/8	1/4	3/8	1/2	1/2	3/4	1"
	15 l/s	18 l/s	45 l/s	50 l/s	80 l/s	101 l/s	105 l/s

Flow with 6.3 bar inlet and 0.5 bar pressure drop.

Working pressure:	Max 17 bar
Working temperature:	-20 to +80 °C
ATEX approval:	CE Ex II 3 GD

For ATEX specific products contact Sales Office

Filters - 5 micron element

	Port size	Description	Order code		
			P3H Series	P3K Series	P3M Series
	1/8	Manual drain	P3HFA11ESMN		
	1/8	Semi auto drain	P3HFA11ESSN		
	1/4	Manual drain	P3HFA12ESMN		
	1/4	Semi auto drain	P3HFA12ESSN		
	3/8	Manual drain		P3KFA13ESMN	
	3/8	Semi auto drain		P3KFA13ESSN	
	3/8	Auto drain		P3KFA13ESAN	
	1/2	Manual drain		P3KFA14ESMN	P3MFA14ESMN
	1/2	Semi auto drain		P3KFA14ESSN	
	1/2	Auto drain		P3KFA14ESAN	P3MFA14ESAN
	3/4	Manual drain			P3MFA16ESMN
	3/4	Auto drain			P3MFA16ESAN
	1"	Manual drain			P3MFA18ESMN
	1"	Auto drain			P3MFA18ESAN

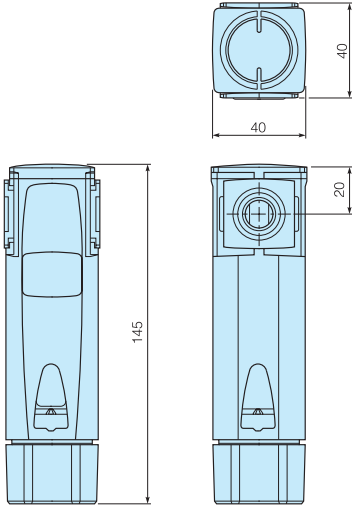
Service kits

Description	Order code		
	P3H Series	P3K Series	P3M Series
5 micron element kit	P3HKA00ESE	P3KKA00ESE	P3MKA00ESE
Sight glass & manual drain kit	P3HKA00BSM	P3KKA00BSM	P3MKA00BSM
Sight glass & semi-auto drain kit	P3HKA00BSS	P3KKA00BSS	P3MKA00BSS
Sight glass & auto drain kit		P3KKA00BSA	P3MKA00BSA

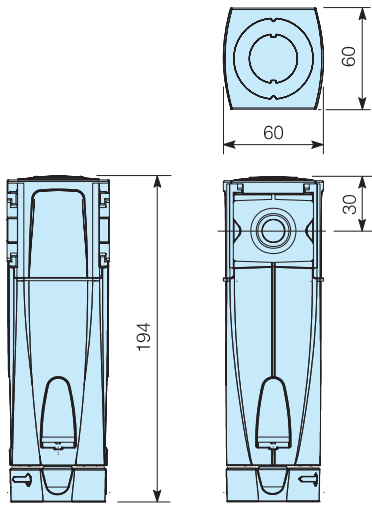
Material Specification

Body:	Aluminium
Sight glass:	Technopolymer
Body cover:	Polyester
Element:	Sintered polypropylene
Elastomers:	Nitrile NBR
Bayonet support:	Nylon
Drain:	Acetal

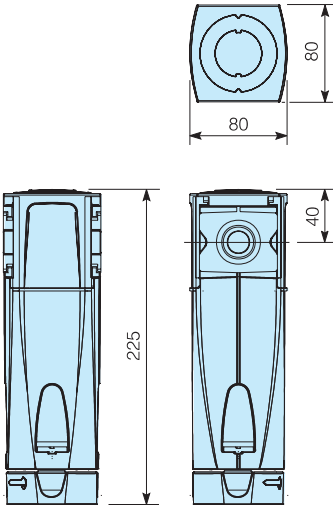
P3H - Dimensions (mm)



P3K - Dimensions (mm)



P3M - Dimensions (mm)



Moduflex FRLs

Coalescing Filters

- Integral 1/8, 1/4, 3/8, 1/2, 3/4 or 1" ports (BSPP & NPT)
- Removes liquid aerosols and sub micron particles
- Oil free air for critical applications, such as air gauging, pneumatic instrumentation and control
- 0.01µm element as standard (coalescer)
- Differential Pressure Indicator (DPI) as standard on Coalescing Filters
- One hand operation for easy element cartridge removal
- Positive bayonet latch to ensure correct & safe fitting
- No tools required for servicing

Note: To optimise the life of coalescing element, it is advisable to install a P3KFA / P3M FA pre-filter with a 5 micron element upstream of the coalescing filter.



Operating Information

Flow:	P3H Series		P3K Series		P3M Series		
	1/8	1/4	3/8	1/2	1/2	3/4	1"
	3.5 l/s	4 l/s	15 l/s	16 l/s	44 l/s	57 l/s	58 l/s

Flow with 6.3 bar inlet and 0.2 bar pressure drop.

Working pressure:	Max 17 bar
Working temperature:	-20 to +66 °C
ATEX approval:	CE Ex II 3 GD

For ATEX specific products contact Sales Office

Coalescing Filters - 0.01 micron element

	Port size	Description	Order code		
			P3H Series	P3K Series	P3M Series
	1/8	Manual drain	P3HFA11DSMN		
	1/8	Semi auto drain	P3HFA11DSSN		
	1/4	Manual drain	P3HFA12DSMN		
	1/4	Semi auto drain	P3HFA12DSSN		
	3/8	Manual drain		P3KFA13DSMN	
	3/8	Auto drain		P3KFA13DSAN	
	1/2	Manual drain		P3KFA14DSMN	P3MFA14DSMN
	1/2	Auto drain		P3KFA14DSAN	P3MFA14DSAN
	3/4	Manual drain			P3MFA16DSMN
	3/4	Auto drain			P3MFA16DSAN
	1"	Manual drain			P3MFA18DSMN
	1"	Auto drain			P3MFA18DSAN

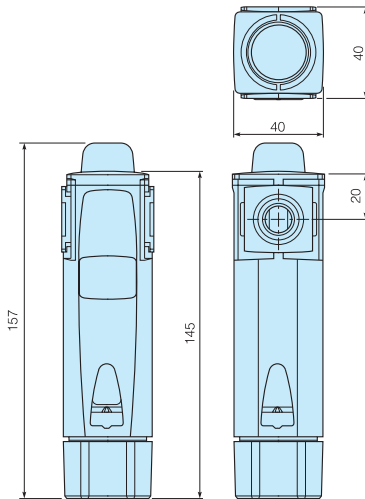
Service kits

Description	Order code		
	P3H Series	P3K Series	P3M Series
0.01 micron coalescing element kit	P3HKA00ESC	P3KKA00ESC	P3MKA00ESC
Sight glass & manual drain kit	P3HKA00BSM	P3KKA00BSM	P3MKA00BSM
Sight glass & semi-auto drain kit	P3HKA00BSS	P3KKA00BSS	P3MKA00BSS
Sight glass & auto drain kit		P3KKA00BSA	P3MKA00BSA
Differential pressure indicator kit	P3HKA00RQ	P3KKA00RQ	P3MKA00RQ

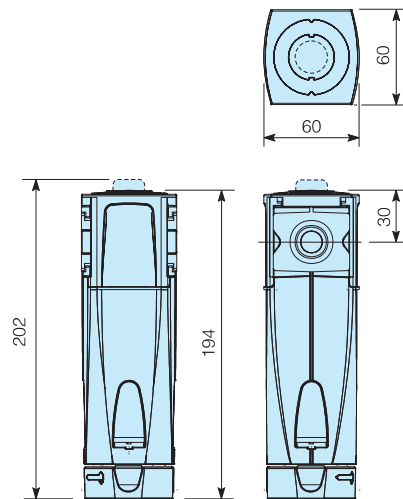
Material Specification

Body:	Aluminium
Sight glass:	Technopolymer
Filter cover:	Polyester
Coalescing Element:	Borosilicate & felt glass fibres
Elastomers:	Nitrile NBR
Bayonet support:	P3H P3K P3M
	Nylon Acetal Nylon
Drain:	Acetal

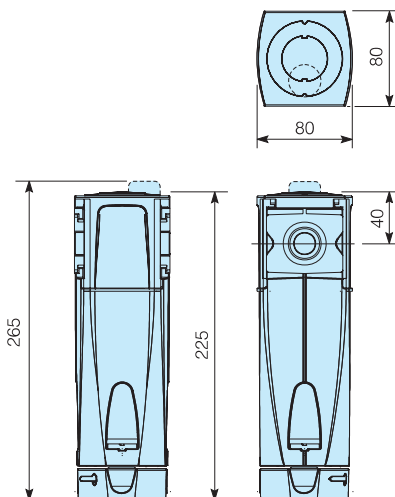
P3H - Dimensions (mm)



P3K - Dimensions (mm)



P3M - Dimensions (mm)



Moduflex FRLs

Adsorber Filters

- Integral 1/8, 1/4, 3/8, 1/2, 3/4 or 1" ports (BSPP & NPT)
- Adsorbing activated carbon element removes oil vapours and most hydrocarbons.
- Robust but lightweight aluminium construction
- One hand operation for easy element cartridge removal
- Positive bayonet latch to ensure correct & safe fitting
- No tools required for servicing



Operating Information

Flow:	P3H Series		P3K Series		P3M Series		
	1/8	1/4	3/8	1/2	1/2	3/4	1"
	6 l/s	8 l/s	21 l/s	28 l/s	37 l/s	41 l/s	42 l/s

Flow with 6.3 bar inlet and 0.2 bar pressure drop.

Working pressure:	Max 17 bar
Working temperature:	-20 to +50 °C
ATEX approval:	CE Ex II 3 GD

For ATEX specific products contact Sales Office

Adsorber Filters - activated charcoal element

	Port size	Description	Order code		
			P3H Series	P3K Series	P3M Series
	1/8	Manual drain	P3HFA11ASMN		
	1/4	Manual drain	P3HFA12ASMN		
	3/8	Manual drain		P3KFA13ASMN	
	1/2	Manual drain		P3KFA14ASMN	P3MFA14ASMN
	3/4	Manual drain			P3MFA16ASMN
	1"	Manual drain			P3MFA18ASMN

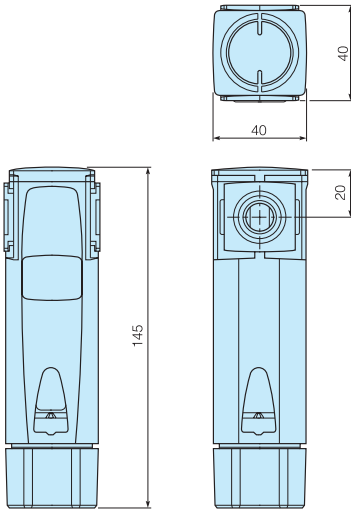
Service kits

Description	Order code		
	P2H Series	P3K Series	P3M Series
Adsorber element kit	P3HKA00ESA	P3KKA00ESA	P3MKA00ESA
Sight glass & manual drain kit	P3HKA00BSM	P3KKA00BSM	P3MKA00BSM
Sight glass & semi-auto drain kit	P3HKA00BSS	P3KKA00BSS	P3MKA00BSS
Sight glass & auto drain kit		P3KKA00BSA	P3MKA00BSA
Differential pressure indicator kit	P3HKA00RQ	P3KKA00RQ	P3MKA00RQ

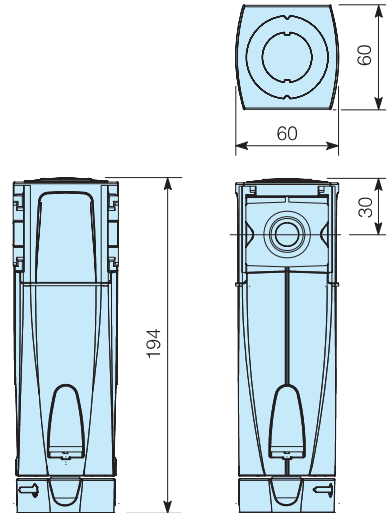
Material Specification

Body:	Aluminium
Sight glass:	Technopolymer
Filter cover:	Polyester
Adsorber Element:	Activated charcoal
Elastomers:	Nitrile NBR
Bayonet support:	P3H P3K P3M Nylon Acetal Nylon
Drain:	Acetal

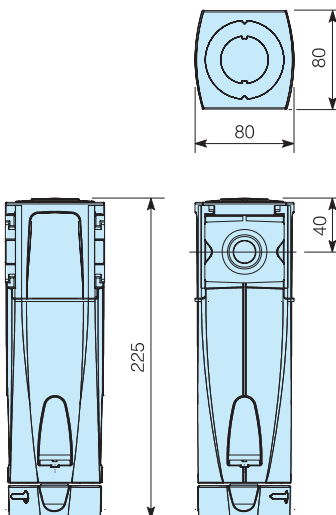
P3H - Dimensions (mm)



P3K - Dimensions (mm)



P3M - Dimensions (mm)



Moduflex FRLs

Regulators

- Integral 1/8, 1/4, 3/8, 1/2, 3/4 or 1" ports (BSPP & NPT)
- Robust but lightweight aluminium construction
- Secondary pressure ranges 2, 4, 8 & 16 bar
- Rolling diaphragm for extended life
- Secondary aspiration plus balanced poppet provides quick response and accurate pressure regulation.
- Padlockable tamperproof kit
- Relieving & Non-relieving types
- Removable non-rising knob for panel mounting and tamper resistance.



Operating Information



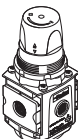
Flow:	P3H Series		P3K Series		P3M Series		
	1/8	1/4	3/8	1/2	1/2	3/4	1"
	15 l/s	29 l/s	63 l/s	73 l/s	100 l/s	129 l/s	130 l/s

Flow with 6.3 bar inlet and 0.5 bar pressure drop.

Working pressure:	Max 17 bar
Working temperature:	-20 to +80 °C
ATEX approval:	CE Ex II 3 GD

For ATEX specific products contact Sales Office

Regulators - 2, 4, 8 and 16 bar pressure and non relieving options available

	Port size	Description	Order code		
			P3H Series	P3K Series	P3M Series
	1/8	8 bar relieving	P3HRA11BNNP		
	1/8	8 bar relieving + gauge	P3HRA11BNGP		
	1/4	8 bar relieving	P3HRA12BNNP		
	1/4	8 bar relieving + gauge	P3HRA12BNGP		
	3/8	8 bar relieving		P3KRA13BNNP	
	3/8	8 bar relieving + gauge		P3KRA13BNGP	
	1/2	8 bar relieving		P3KRA14BNNP	P3MRA14BNNN
	1/2	8 bar relieving + gauge		P3KRA14BNGP	P3MRA14BNGN
	1/2	2 bar relieving		P3KRA14BNYP	
	1/2	4 bar relieving		P3KRA14BNLP	
	1/2	16 bar relieving		P3KRA14BNHP	
	3/4	8 bar relieving			P3MRA16BNNN
	3/4	8 bar relieving + gauge			P3MRA18BNGN
	1"	8 bar relieving			P3MRA18BNNN
	1"	8 bar relieving + gauge			P3MRA18BNGN
	1"	2 bar relieving			P3MRA18BNLN
	1"	4 bar relieving			P3MRA18BNLN
	1"	16 bar relieving			P3MRA18BNHN

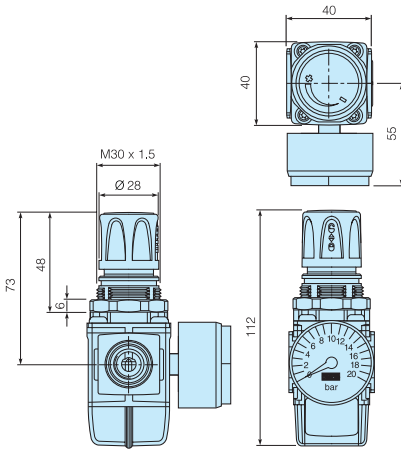
Service kits

Description	Order code		
	P3H Series	P3K Series	P3M Series
Angle bracket + metal lock ring	P3HKA00MS	P3KKA00MS	P3MKA00MS
Angle bracket + plastic lock ring	P3HKA00MR	P3KKA00MR	
Panel Mounting nut (aluminium)	P3HKA00MM	P3KKA00MM	P3MKA00MM
Plastic lock ring	P3HKA00MP	P3KKA00MP	
Diaphragm kit (relieving)	P3HKA00RR	P3KKA00RR	P3MKA00RR
Diaphragm kit (non-relieving)	P3HKA00RN	P3KKA00RN	P3MKA00RN
Lockable tamperproof kit	P3HKA00AL	P3KKA00AL	P3MKA00AL
Tamperproof knob kit	P3HKA00AT	P3KKA00AT	P3MKA00AT

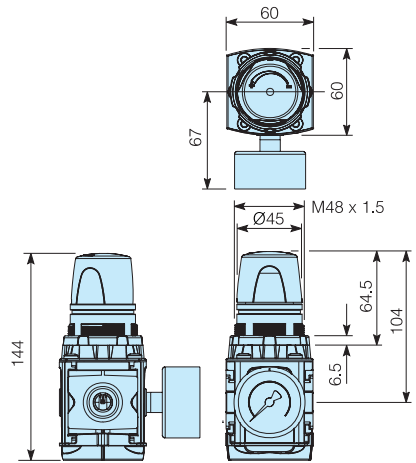
Material Specification

Body:	Aluminium
Bonnet:	Glass filled polyamide
Regulator cover:	Polyester
Control Knob:	Polyamide
Valve:	Composite
Elastomers:	Nitrile NBR
Screws:	Steel / zinc plated

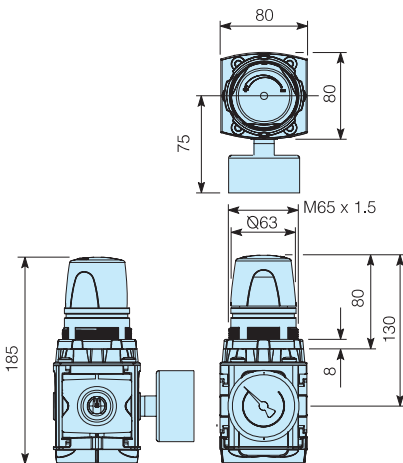
P3H - Dimensions (mm)



P3K - Dimensions (mm)



P3M - Dimensions (mm)



Lockable Tamperproof Kit

This facilitates the tamperproofing of the Regulator and Filter-Regulator units. The hinged black part clamps over the control knob and is locked in place by sliding over the yellow cover.

Four pad lock location holes are provided for added security if required.



Order code	P3H Series	P3K Series	P3M Series
	P3HKA00AL	P3KKA00AL	P3MKA00AL

Note: Pad lock not included

Moduflex FRLs

Filter Regulators

- Integral 1/8, 1/4, 3/8, 1/2, 3/4 or 1" ports (BSPP & NPT)
- High efficiency 5 micron element as standard (optional 40 micron)
- Excellent water removal efficiency
- Robust but lightweight aluminium construction
- One hand operation for easy element cartridge removal
- Positive bayonet latch to ensure correct & safe fitting
- No tools required for servicing filter element
- Secondary pressure ranges 2, 4, 8 and 16 bar
- Rolling diaphragm for extended life
- Secondary aspiration plus balanced poppet provides quick response and accurate pressure regulation.



Operating Information

Flow:	P3H Series		P3K Series		P3M Series		
	1/8	1/4	3/8	1/2	1/2	3/4	1"
	15 l/s	25 l/s	48 l/s	61 l/s	113 l/s	120 l/s	120 l/s

Flow with 6.3 bar inlet and 1 bar pressure drop.

Working pressure: Max 17 bar
 Working temperature: -20 to +80 °C
 ATEX approval: CE Ex II 3 GD

For ATEX specific products contact Sales Office

Filter/Regulators - 2, 4 and 16 bar and non relieving options available

	Port size	Description	Order code			
			P3H Series	P3K Series	P3M Series	
	1/8	8 bar relieving, manual drain	P3HEA11ESMBNNP			
	1/8	8 bar relieving, semi auto drain	P3HEA11ESSBNNP			
	1/8	8 bar relieving, gauge, manual drain	P3HEA11ESMBNGP			
	1/8	8 bar relieving, gauge, semi auto drain	P3HEA11ESSBNGP			
	1/4	8 bar relieving, manual drain	P3HEA12ESMBNNP			
	1/4	8 bar relieving, semi auto drain	P3HEA12ESSBNNP			
	1/4	8 bar relieving, gauge, manual drain	P3HEA12ESMBNGP			
	1/4	8 bar relieving, gauge, semi auto drain	P3HEA12ESSBNGP			
		3/8	8 bar relieving, manual drain		P3KEA13ESMBNNP	
		3/8	8 bar relieving, semi auto drain		P3KEA13ESSBNNP	
		3/8	8 bar relieving, auto drain		P3KEA13ESABNNP	
		3/8	8 bar relieving, gauge, manual drain		P3KEA13ESMBNGP	
3/8		8 bar relieving, gauge, semi auto drain		P3KEA13ESSBNGP		
3/8		8 bar relieving, gauge, auto drain		P3KEA13ESABNGP		
1/2		8 bar relieving, manual drain		P3KEA14ESMBNNP	P3MEA14ESMBNNN	
1/2		8 bar relieving, semi auto drain		P3KEA14ESSBNNP		
1/2		8 bar relieving, auto drain		P3KEA14ESABNNP	P3MEA14ESABNNN	
1/2		16 bar relieving, manual drain		P3KEA14ESMBNHP		
1/2		8 bar relieving, gauge, manual drain		P3KEA14ESMBNGP	P3MEA14ESMBNGN	
1/2		8 bar relieving, gauge, semi auto drain		P3KEA14ESSBNGP		
	1/2	8 bar relieving, gauge, auto drain		P3KEA14ESABNGP	P3MEA14ESABNGN	
	3/4	8 bar relieving, manual drain			P3MEA16ESMBNNN	
	3/4	8 bar relieving, auto drain			P3MEA16ESABNNN	
	3/4	8 bar relieving, gauge, manual drain			P3MEA16ESMBNGN	
	3/4	8 bar relieving, gauge, auto drain			P3MEA16ESABNGN	
	1"	8 bar relieving, manual drain			P3MEA18ESMBNNN	
	1"	8 bar relieving, auto drain			P3MEA18ESABNNN	
	1"	16 bar relieving, manual drain			P3MEA18ESMBNHN	
	1"	8 bar relieving, gauge, manual drain			P3MEA18ESMBNGN	
	1"	8 bar relieving, gauge, auto drain			P3MEA18ESABNGN	

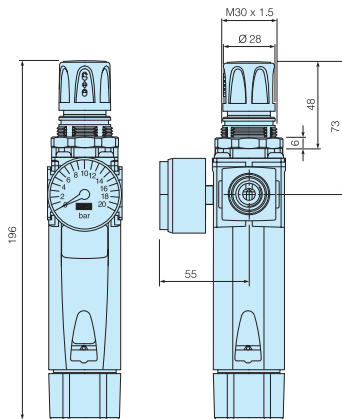
Service kits

Description	Order code		
	P3H Series	P3K Series	P3M Series
5 micron element kit	P3HKA00ESE	P3KKA00ESE	P3MKA00ESE
Sight glass & manual drain	P3HKA00BSM	P3KKA00BSM	P3MKA00BSM
Sight glass & semi-auto drain	P3HKA00BSS	P3KKA00BSS	P3MKA00BSS
Sight glass & auto drain		P3KKA00BSA	P3MKA00BSA
Angle bracket + metal lock ring	P3HKA00MS	P3KKA00MS	P3MKA00MS
Angle bracket + plastic lock ring	P3HKA00MR	P3KKA00MR	
Panel Mounting nut (aluminium)	P3HKA00MM	P3KKA00MM	P3MKA00MM
Diaphragm kit (relieving)	P3HKA00RR	P3KKA00RR	P3MKA00RR
Diaphragm kit (non-relieving)	P3HKA00RN	P3KKA00RN	P3MKA00RN
Lockable tamperproof kit	P3HKA00AL	P3KKA00AL	P3MKA00AL
Tamperproof knob kit	P3HKA00AT	P3KKA00AT	P3MKA00AT

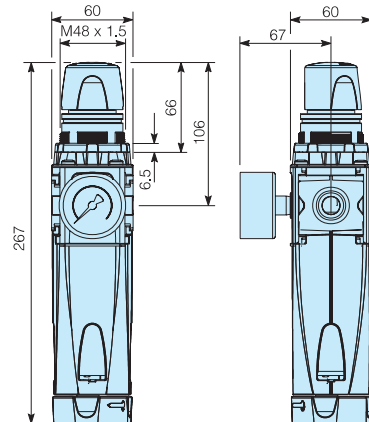
Material Specification

Body:	Aluminium		
Sight glass:	Technopolymer		
Body cover:	Polyester		
Element:	Sintered polypropylene		
Elastomers:	Nitrile NBR		
Bayonet support:	Acetal		
Drain:	Acetal		
Bayonet support:	P3H	P3K	P3M
	Nylon	Acetal	Nylon
Control knob:	Polyamide		
Valve:	Composite		
Screws:	Steel/ zinc plated		

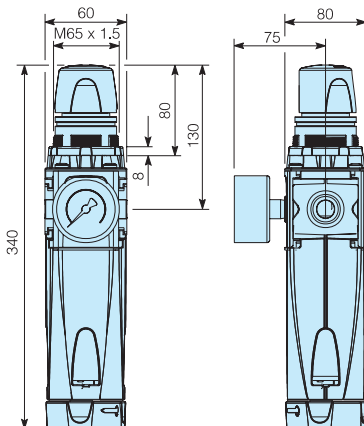
P3H - Dimensions (mm)



P3K - Dimensions (mm)



P3M - Dimensions (mm)



Moduflex FRLs

Lubricators

- Integral 1/8, 1/4, 3/8, 1/2, 3/4 or 1" ports (BSPP & NPT)
- Robust but lightweight aluminium construction
- Proportional oil delivery over a wide range of air flows.
- Finger tip ratchet control for precise oil drip rate adjustment
- Fill from top under system pressure (P3K / P3M series only)
- '2 stage' bayonet to reveal large filling orifice
- Large oil reservoir



Operating Information

Flow:	P3H Series		P3K Series		P3M Series		
	1/8	1/4	3/8	1/2	1/2	3/4	1"
	13 l/s	26 l/s	44 l/s	70 l/s	87 l/s	103 l/s	108 l/s

Flow with 6.3 bar inlet and 0.5 bar pressure drop.

Working pressure: P3H Max 10 bar
P3K / P3M Max 17 bar

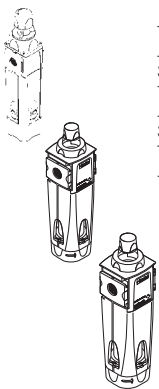
Working temperature: -20 to +80 °C

ATEX approval: CE Ex II 3 GD

For ATEX specific products contact Sales Office

Lubricators

Port size	Description	Order code		
		P3H Series	P3K Series	P3M Series
1/8	Oil mist	P3HLA11LSMN		
1/4	Oil mist	P3HLA12LSMN		
3/8	Oil mist, fill under pressure		P3KLA13LSMN	
1/2	Oil mist, fill under pressure		P3KLA14LSMN	P3MLA14LSMN
3/4	Oil mist, fill under pressure			P3MLA16LSMN
1"	Oil mist, fill under pressure			P3MLA18LSMN



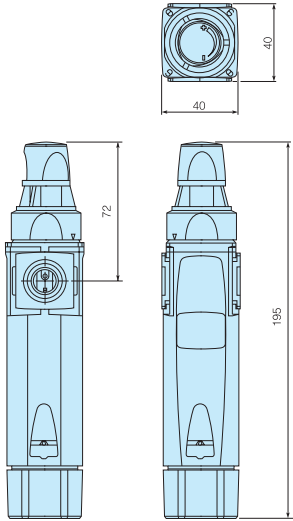
Service kits

Description	Order code		
	P3H Series	P3K Series	P3M Series
Sight glass & manual drain kit	P3HKA00BSM	P3KKA00BSM	P3MKA00BSM
Drip control assembly kit	P3HKA00PG	P3KKA00PG	P3MKA00PG

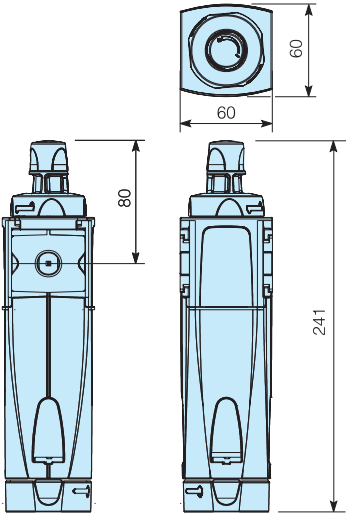
Material Specification

Body:	Aluminium
Bowl sight glass:	Technopolymer
Sight dome:	Technopolymer
Lubricator cover:	Polyester
Bayonet support:	Nylon
Drain:	Acetal
Elastomers:	Nitrile NBR

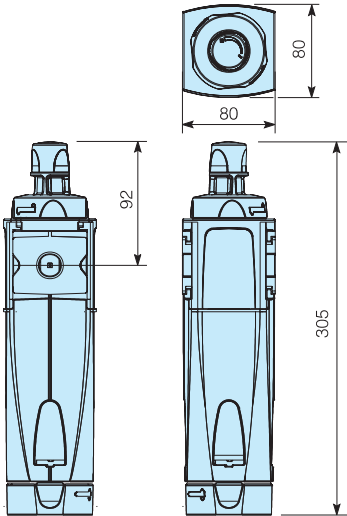
P3H - Dimensions (mm)



P3K - Dimensions (mm)








P3M - Dimensions (mm)



Moduflex FRLs

Accessories

Port size	Description	P3H Series	Order code P3K Series	P3M Series
Shut-off Valves				
	1/8 Bistable 3/2 valve with lockout facility	P3HVA11LN		
	1/4 Bistable 3/2 valve with lockout facility	P3HVA12LN		
	3/8 Bistable 3/2 valve with lockout facility		P3KVA13LN	
	1/2 Bistable 3/2 valve with lockout facility		P3KVA14LN	P3MVA14LN
	3/4 Bistable 3/2 valve with lockout facility			P3MVA16LN
	1" Bistable 3/2 valve with lockout facility			P3MVA18LN
Manifold Regulators - 2, 4, 16 bar options available.				
	1/4 8 bar relieving + Pressure gauge	P3HRA12BNGP		
	3/8 8 bar relieving		P3KHA13BNNP	
	3/8 8 bar relieving + Pressure gauge		P3KHA13BNGP	
	1/2 8 bar relieving		P3KHA14BNNP	
	1/2 8 bar relieving + Pressure gauge		P3KHA14BNGP	
Manual Dump Valves				
	1/4 Bistable 3/2 valve with lockout facility	P3HDA12RLN		
	1/2 Bistable 3/2 valve with lockout facility		P3KDA14RLN	
	1/4 Monostable 3/2 valve with lockout facility	P3HDA12NLN		
Manifold Block				
	1/4 2 air "take off" ports	P3HMA1V0N		
	1/2 4 air "take off" ports		P3KMA1V0N	P3MMA140N
	3/4 4 air "take off" ports			P3MMA160N
	1" 4 air "take off" ports			P3MMA180N

Accessories

Port size	Description	P3H Series	Order code P3K Series	P3M Series
Combined Soft Start/Dump Valves				
1/4	Solenoid operated (not included)	P3HTA12SGN0000		
1/4	24 VDC (Solenoid and cable plug included)	P3HTA12SGNC2CN		
1/4	Air Pilot Operated	P3HTA12PPN		
1/2	Solenoid operated (not included)		P3KTA14SCN0000	P3MTA14SCN0000
1/2	24 VDC (Solenoid and cable plug included)		P3KTA14SCNB2CN	P3MTA14SCNB2CN
1/2	Air Pilot Operated		P3KTA14PPN	P3MTA14PPN
3/4	Solenoid operated (not included)			P3MTA16SCN0000
3/4	24 VDC (Solenoid and cable plug included)			P3MTA16SCNB2CN
3/4	Air Pilot Operated			P3MTA16PPN
1*	Solenoid operated (not included)			P3MTA18SCN0000
1*	24 VDC (Solenoid and cable plug included)			P3MTA18SCNB2CN
1*	Air Pilot Operated			P3MTA18PPN

Soft Start Valves				
1/4	Solenoid operated (not included)	P3HSA12SGN0000		
1/4	24 VDC (Solenoid and cable plug included)	P3HSA12SGNC2CN		
1/4	Internal Air Pilot Operated	P3HSA12Y0N		

Soft Start Valves (CNOMO interface can be fitted with either 22mm or 30mm coils)

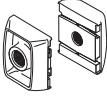
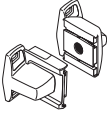
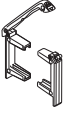
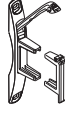





1/2	Solenoid operated (not included)		P3KSA14SCN0000	P3MSA14SCN0000
1/2	24 VDC (Solenoid and cable plug included)		P3KSA14SCNB2CN	P3MSA14SCNB2CN
1/2	Internal Air Pilot Operated		P3KSA14Y0N	P3MSA14Y0N
3/4	Solenoid operated (not included)			P3MSA16SCN0000
3/4	24 VDC (Solenoid and cable plug included)			P3MSA16SCNB2CN
3/4	Internal Air Pilot Operated			P3MSA16Y0N
1*	Solenoid operated (not included)			P3MSA18SCN0000
1*	24 VDC (Solenoid and cable plug included)			P3MSA18SCNB2CN
1*	Internal Air Pilot Operated			P3MSA18Y0N

Remote Operated Dump Valves

1/4	Solenoid operated (not included)	P3HDA12SGN0000		
1/4	24 VDC (Solenoid and cable plug included)	P3HDA12SGNC2CN		
1/4	Air Pilot Operated	P3HDA12PPN		
1/2	Solenoid operated (not included)		P3KDA14SCN0000	P3MDA14SCN0000
1/2	24 VDC (Solenoid and cable plug included)		P3KDA14SCNB2CN	P3MDA14SCNB2CN
1/2	Air Pilot Operated		P3KDA14PPN	P3MDA14PPN
3/4	Solenoid operated (not included)			P3MDA16SCN0000
3/4	24 VDC (Solenoid and cable plug included)			P3MDA16SCNB2CN
3/4	Air Pilot Operated			P3MDA16PPN
1*	Solenoid operated (not included)			P3MDA18SCN0000
1*	24 VDC (Solenoid and cable plug included)			P3MDA18SCNB2CN
1*	Air Pilot Operated			P3MDA18PPN

Moduflex FRLs

Accessories

Port size	Description	P3H Series	Order code P3K Series	P3M Series
Port Block Kits				
	1/8	P3HKAD1CP		
	1/4	P3HKAD2CP		
	3/8		P3KKAD3CP	
	1/2		P3KKAD4CP	P3MKAD4CP
	3/4			P3MKAD6CP
	1"			P3MKAD8CP
Rear Entry Connector Kits				
	1/2 BSPP		P3KKAR4CR	
	1/2 NPT		P3KKAT4CR	
Modular Connector (Cliplok) Kits				
		P3HKA00CB	P3KKB00CB	P3MKA00CB
Wall Mounting Bracket Connector Kits				
		P3HKA00CW	P3KKB00CW	P3MKA00CW
Din Rail Mounting Kit				
		P3HKA00MD		
Single Unit Mounting Bracket				
		P3HKA00MW	P3KKA00MW	P3MKA00MW
Regulator & Filter Regulator Angle Bracket				
	Angle bracket + plastic nut	P3HKA00MR	P3KKA00MR	
	Angle bracket + metal nut	P3HKA00MS	P3KKA00MS	P3MKA00MS
Panel Mounting Nut				
	Aluminium	P3HKA00MM	P3KKA00MM	P3MKA00MM
Regulator & Filter/Regulator - Tamperproof Kit				
		P3HKA00AL	P3KKA00AL	P3MKA00AL
Pressure Gauges				
	1/8 0 to 2 bar	P3D-KAB1AYN		
	1/8 0 to 4 bar	P3D-KAB1ALN		
	1/8 0 to 10 bar	P3D-KAB1ANN		
	1/8 0 to 20 bar	P3D-KAB1AHN		
	1/4 0 to 4 bar		P6G-ERB2040	P6G-ERB2040
	1/4 0 to 11 bar		P6G-ERB2110	P6G-ERB2110
	1/4 0 to 20 bar		P6G-ERB2200	P6G-ERB2200

Moduflex Proportional Technology

Man-machine interface

High visibility LED display
Easy to read characters
All controls on the same face

Total flexibility

User friendly and easily programmable software.
One basic unit suits all customer requirements.

Compact & light weight

Small envelope
Light weight (P3PH = 285g)

Outstanding performance

Very fast response times
Full flow exhaust
Excellent linearity

Flexible mounting options

Stand-alone
Foot bracket mounting
DIN-rail mounting



The new MPT40 Regulator is designed to quickly and accurately adjust and maintain a set output pressure.

The unit will operate regardless of flow, in response to an electronic control signal. The medium can be compressed air or an inert gas.

Applications for this technology are virtually unlimited; from paint spray control, paper manufacture and printing to weaving and laser cutting control; in fact anywhere that requires accurate remote pressure control.

- Very fast response times
- Accurate output pressure
- Micro parameter settings
- Selectable I/O parameters
- Quick, full flow exhaust.
- LED display indicates output pressure
- Auto enable function
- No air consumption in steady state



Standard Features

Micro Processor Parameter settings
 Auto-Enable function
 Selectable I/O parameters
 M12 Electrical Connection

Operating information

Inlet pressure range	MPT40: max. 10 bar EPD: max. 16 bar
Outlet pressure range	0 to 2 bar, 0 to 7 bar, 0 to 10 bar or 0 to 12 bar
Temperature range	0°C to max. 50°C
Supply voltage	24 VDC
Control signal	0 - 10 V or 4-20 mA
Electrical connection	IP65
Hysteresis	1.1% FS
Flow G 1/4 (MPT40)	1500 l/min.
G 1/2 (EPD)	1800 l/min.

For technical information see CD


Order Key

P	3	H	P	A	1	2	A	S	2	V	D	1	A	
Port type		Port or tube size		Pressure range		Power supply		Control signal		Output Signal				
1	G Thread (BSP) Female			1	1/8	Z	0 - 2 bar		2	24 volts		D	Digital, PNP	1)
9	NPT Female			2	1/4	S	0 - 7 bar		A	4-20mA		P	PNP or 0-10V	2)
						D	0 - 10 bar		V	0-10 V		N	NPN or 0-10V	3)
												M	4-20mA fixed	4)

- 1) Digital PNP output only, no analogue output selectable
- 2) Digital PNP and analogue 0-10V outputs selectable, by means of parameter 6. (Factory default 0-10V)
- 3) Digital NPN and analogue 0-10 V outputs selectable by means of parameter 6. (Factory default 0-10V)
- 4) Analogue 4-20mA output only.

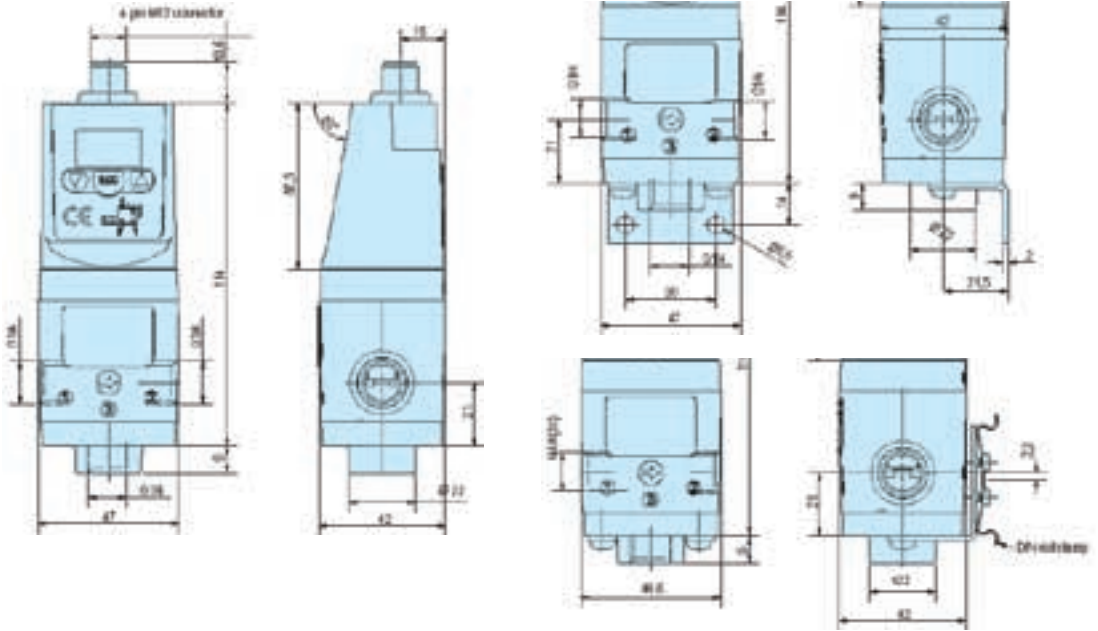
Note: On all analogue outputs the F.S. value can be adjusted by means of parameter 8

Connection	Pressure control Range (bar)	Control Signal	Description	Order code
G1/4	0-2	4 - 20mA	MPT40	P3HPA12AZ2AD1A
G1/4	0-7	4 - 20mA	MPT40	P3HPA12AS2AD1A
G1/4	0-10	4 - 20mA	MPT40	P3HPA12AD2AD1A
G1/4	0-2	0-10 V	MPT40	P3HPA12AZ2VD1A
G1/4	0-7	0-10 V	MPT40	P3HPA12AS2VD1A
G1/4	0-10	0-10 V	MPT40	P3HPA12AD2VD1A
G1/2	0-12	0-10 V	EPDN4-MP-0-12B-0U10	3505500
G1/2	0-7	0-10 V	EPDN4-MP-0-7B-0U10	3505700

 Indicates stocked product.

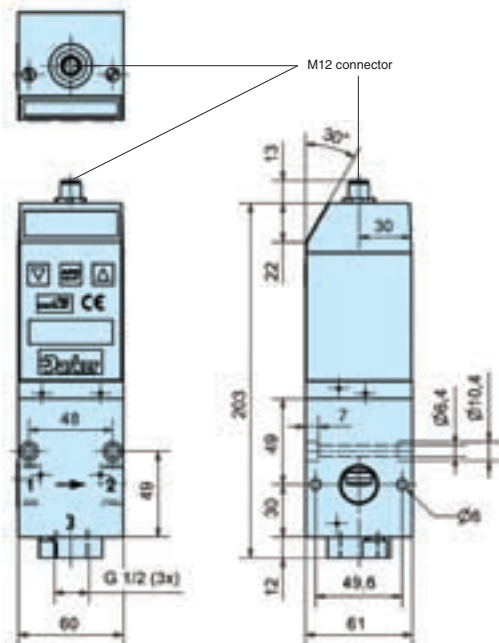
Dimensions (mm)

MPT40 - Bottom exhaust version





Dimensions (mm)

EPDN Series



Mounting options for P3HP

	Description	Order code
	Din rail mounting kit	P3HKA00MK
	Foot bracket mounting kit	P3HKA00MF

Cables

Description	Order code
2m cable with moulded straight M12 x 1 connector	P8L-MC04A2A-M12
2m cable with moulded 90° M12 x 1 connector	P8L-MC04R2A-M12

Prep-Air II® Miniature FRLs

- Compact body ported units
- Port sizes G1/8 and G1/4
- Unique deflector plate ensuring maximum water and particulate removal
- Solid control piston with lip seal for extended life.
- Proportional oil delivery over a wide range of air flows.



Operating information		Flow characteristics	
Working pressure:	Max 10 bar	Flow	Filter 11 l/s
Working temperature:	0 °C to +52 °C		Regulator 9,3 l/s
			Filter Regulator 9,3 l/s
			Lubricator 10 l/s
For technical information see CD			

Filters - 5 micron element, transparent bowl

Port size	Description	Order Code
G1/8	Manual drain	14F01BB1
G1/8	Auto drain	14F05BB1
G1/4	Manual drain	14F11BB1
G1/4	Auto drain	14F15BB1
	Mounting bracket	PS417BP

Regulators - relieving type - non relieving options available

Port size	Description	Order Code
G1/8	2 bar	14R010FC1
G1/8	4 bar	14R011FC1
G1/8	8 bar	14R013FC1
G1/4	2 bar	14R110FC1
G1/4	4 bar	14R111FC1
G1/4	8 bar	14R113FC1
	Mounting bracket (Includes panel mounting nut)	PS417BP

Lubricators - transparent bowl

Port size	Order Code
G1/8	04L00GB1
G1/4	04L10GB1
	Mounting bracket PS419

Pressure Gauges

	Order Code
0 - 2 bar	P3D-KAB1AYN
0 - 4 bar	P3D-KAB1ALN
0 - 8 bar	P3D-KAB1ANN

Coalescing Filters - 0.01 micron element

Port size	Description	Order Code
Poly bowl		
G1/8	Manual drain	10F01ED1
G1/8	Auto drain	10F05ED1
G1/4	Manual drain	10F11ED1
G1/4	Auto drain	10F15ED1
	Mounting bracket	PS417BP

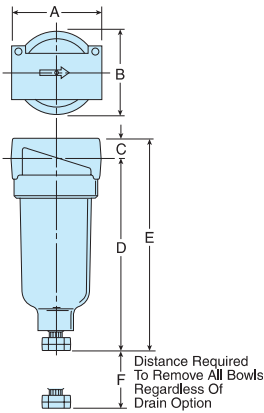
Filter/Regulators

- transparent bowl - 2 and 4 bar and non relieving options available

Port size	Description	Order Code
G1/8	2 bar, manual drain	14E01B10FC1
G1/8	2 bar, auto drain	14E05B10FC1
G1/4	2 bar, manual drain	14E11B10FC1
G1/4	2 bar, auto drain	14E15B10FC1
G1/8	4 bar, manual drain	14E01B11FC1
G1/8	4 bar, auto drain	14E05B11FC1
G1/4	4 bar, manual drain	14E11B11FC1
G1/4	4 bar, auto drain	14E15B11FC1
G1/8	8 bar, manual drain	14E01B13FC1
G1/8	8 bar, auto drain	14E05B13FC1
G1/4	8 bar, manual drain	14E11B13FC1
G1/4	8 bar, auto drain	14E15B13FC1
	Mounting bracket (Includes panel mounting nut)	PS417BP

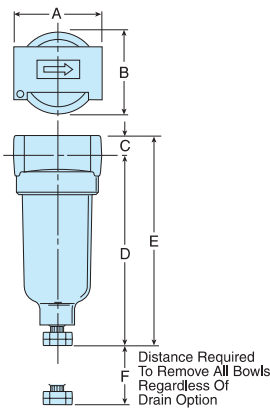
Dimensions (mm)

Filters



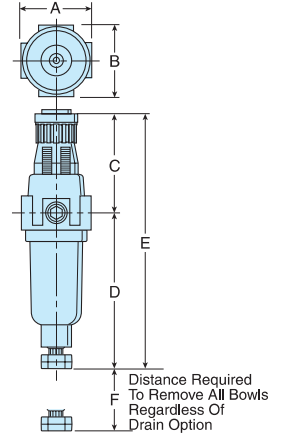
A	B	C	D	D'	E	E'	F
43	39	10	97	99	107	108	41

Coalescing Filters



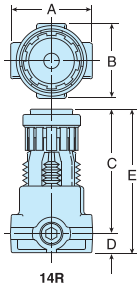
A	B	C	D	D'	E	E'	F
43	39,6	10	97	93	107	103	41

Filter/Regulators



A	B	C	D	D'	E	E'	F
41	40	61	96	92	158	154	41

Regulators



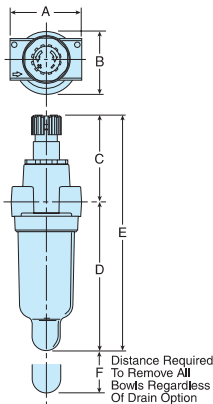
14R

14R	A	B	C	D	E
	42	40	63,5	10	731

14R**L*	A	B	C	D	E
	42	40	57,9	10	68

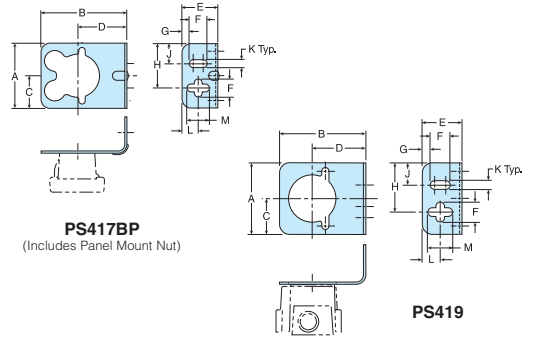
14RM	A	B	C	D	E	F	G	H	J
	38	38	60	13	73	30	15	8	18

Lubricators



A	B	C	D	D'	E	E'	F
44	40	55	92	96	147	151	41

Mounting Bracket Kits



PS417BP - 10F, 14F, 14R, 14E

A	B	C	D	E	F	G	H	J	K	L	M
46	60	23	34	25	13	5	31	14	6	11	16

PS419 - 04L

A	B	C	D	E	F	G	H	J	K	L	M
46	55	23	34	25	13	5	31	14	6	11	16

Service kits

Description	Order Code
5 micron particulate element	PS403P
0.01 micron coalescing element	PS446P
Poly bowl with manual drain	PS404P
Poly bowl with pulse drain	PS408BP
Lubricator bowl	PS421P

Regulator

Relieving type	PS422P
Non-relieving type	PS428P

The all metal P3N Series FRLs are ideal for most medium sized ring main installations. The fully modular system allows units to be connected together, without the use of pipe connectors, saving space; providing constant mounting centres; whilst maintaining a modern aesthetically pleasing appearance.



- Self relieving feature plus balanced poppet provides quick response and accurate pressure regulation.
- Port blocks available to provide G³/₄ and G1¹/₂ port extension to G1 ported bodies.
- Proportional oil delivery over a wide range of air flows.

Operating information

Working pressure: Max 17 bar
 Working temperature: -20 °C to +80 °C

Flow characteristics

Flow	Filter	166.6 l/s
	Regulator	166.6 l/s
	Filter/Regulator	166.6 l/s
	Lubricator	166.6 l/s

For technical information see CD

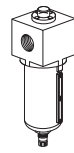
Filters - 40 micron element, metal bowl



Port size	Description	Order Code
G3/4	Manual drain	P3NFA16GSM
G3/4	Auto drain	P3NFA16GSA
G1	Manual drain	P3NFA18GSM
G1	Auto drain	P3NFA18GSA

5 micron element options available on request

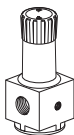
Coalescing Filters - 0.01 micron element, metal bowl



Port size	Description	Order Code
G3/4	Manual drain	P3NFA16DSM
G3/4	Auto drain	P3NFA16DSA
G1	Manual drain	P3NFA18DSM
G1	Auto drain	P3NFA18DSA

Adsorber filter option available on request

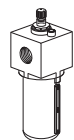
Regulators



Port size	Description	Order Code
G3/4	4 bar, relieving type	P3NRA16BNL
G3/4	8 bar, relieving type	P3NRA16BNN
G3/4	16 bar, relieving type	P3NRA16BNH
G1	4 bar, relieving type	P3NRA18BNL
G1	8 bar, relieving type	P3NRA18BNN
G1	16 bar, relieving type	P3NRA18BNH

None relieving options available on request

Lubricators - metal bowl



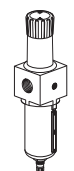
Port size	Description	Order Code
G3/4	No drain	P3NLA16LSN
G1	Manual drain	P3NLA18LSM
G1	No drain	P3NLA18LSN

Air Pilot Controlled Regulator



Port size	Description	Order Code
G1	8 bar, relieving type	P3NRA18BPP

Filter/Regulators - 40 micron, metal bowl, relieving type

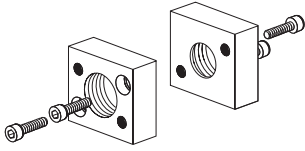


Port size	Description	Order Code
G3/4	8 bar, manual drain	P3NEA16GSMBNN
G3/4	8 bar, auto drain	P3NEA16GSABNN
G1	8 bar, manual drain	P3NEA18GSMBNN
G1	8 bar, auto drain	P3NEA18GSABNN

None relieving and other pressure options available on request

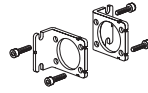
 Indicates stocked product.

Port Block Kits



Description	Connection	Order Code
Kits for single Units or Combinations without Lubricators (2 port blocks + 2 seals)	G3/4	P3NKB16CP
	G1	P3NKB18CP
	G1½	P3NKB1BCP
Kits for Combinations with Lubricators (2 port blocks + 2 seals)	G3/4	P3NKB16CL
	G1	P3NKB18CL
	G1½	P3NKB1BCL

Wall Mounting Bracket Kit



Description	Order code
3/4" and 1"	P3NKA00MW
1.1/2"	P3NKA0BMW

Gauges



Port size	Description	Order Code
G1/4	Gauge 0 to 4 bar	P6G-ERB2040
G1/4	Gauge 0 to 11 bar	P6G-ERB2110
G1/4	Gauge 0 to 14 bar	P6G-ERB2140
G1/4	Gauge 0 to 20 bar	P6G-ERB2200

Service kits

Description	Order Code
5 micron particulate element	P3NKA00ESE
40 micron particulate element	P3NKA00ESG
0.3 micron coalescing element	P3NKA00ESC
Adsorber element	P3NKA00ESA

Regulator

Relieving type	P3NKA00RR
Non-relieving type	P3NKA00RN
Relieving (Air pilot)	P3NKA00PD

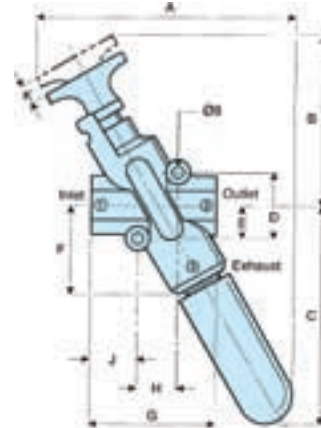
Lockout valves - LV Series

- High flow 1" exhaust
- G1/4 to G1 inlet port sizes
- Detented spool
- Padlock, lockout facility
- High visibility yellow body



Symbol	Port size	Exhaust port (Port will accept a BSPT or NPT male silencer)	Order code
	G1	1"	LV8BA8

Dimensions (mm)



	A	B	C	D	E	F	G	H	J	K
mm	212	143	169	56	28	75	105	34	39	18

Double male adaptor

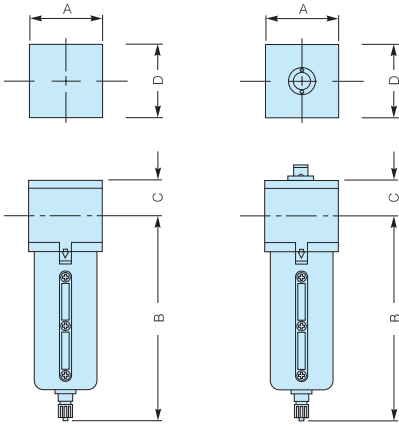


Thread BSPT	Order code	Pack Qty
1" x 1"	1FF33BL	5

Indicates stocked product.

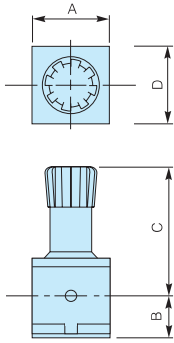
Dimensions (mm)

Filters and Coalescing Filters



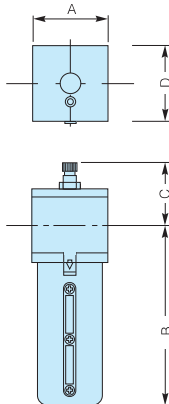
Port sizes	A	B	C	D
3/4" & 1"	92	254	35	92

Regulators



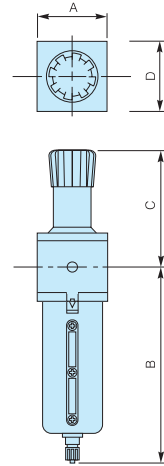
Port sizes	A	B	C	D
3/4" & 1"	92	53	162	92

Lubricators



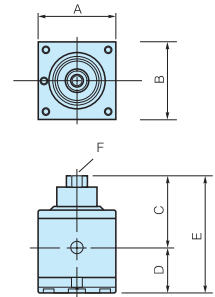
Port sizes	A	B	C	D
3/4" & 1"	92	230	71.3	92

Filter/Regulators



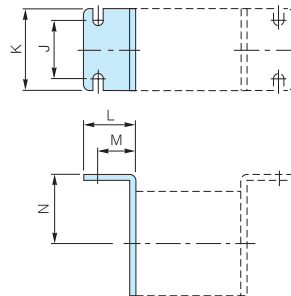
Port sizes	A	B	C	D
3/4" & 1"	92	243	162	92

Air pilot regulators



A	A (PB)	B	C	D	E	F
92	142	92	86	53	139	G ¹ / ₄

Wall mounting brackets



L	M	N	J	K
45	33	60	50	70

Standard Series FRLs

Standard Series FRLs are ideal for large ring main installations. The rugged all metal body ported design provides high flow with minimum pressure drop.

- Individual body ported and mounted units
- High flow with minimum pressure drop
- Lubricator fillable under pressure

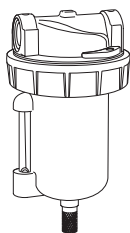


Operating information

Max operating pressure	17 bar (Filter + Lubricator) 12 bar when fitted with auto-drain
Max inlet pressure for regulators	20 bar
Max temperature	50°C
For technical information see CD	

Standard Particulate Filters

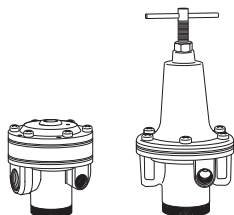
- Fitted with 40µ element as standard



Port size	Description	* Flow @ 7 bar l/min	Order code Zinc bowl with sight glass
1.1/4	Manual drain	11000	F06G10WJ
1.1/2	Manual drain	12500	F602G12WJ
2	Manual drain	31800	F602G16WJ
2.1/2	Manual drain	31800	F602G20WJ

* Flow with pressure drop 0.34 bar

Regulators



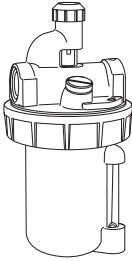
Port size	Flow @ 7 bar l/min	Order code	
		Manual Adjust	Remote operated
1.1/4	12000	R119G10C	
1.1/2	12000	R119G12C	R119G12J
2	42480		R119G16J
2.1/2	42480		R119G20J

 Indicates stocked product.

Standard Series FRLs

Lubricators

- High performance over wide flow range
- Lubricator may be filled while under pressure



Port size	* Flow @ 7 bar l/min	Order code Zinc bowl with sight glass
1.1/4	9200	L606G10W
1.1/2	11300	L606G12W

* Flow with pressure drop 0.34 bar

Standard Series Accessories

Regulator Mounting Bracket



Size	Order code
G1.1/4 & G1.1/2	18B57

Service kits

Port size	Description	Order Code
Filters		
G1.1/4 & G1.1/2	40 micron particulate element	EK602B
G2 & G2.1/2	40 micron particulate element	EK602G

Gauges

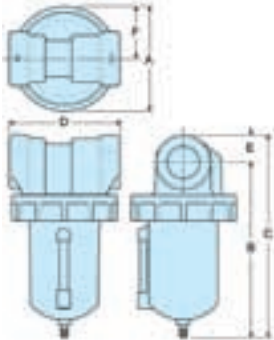


Size	Pressure range	Order code
1/4 x 50mm	0 - 4 bar	P6G-ERB2040
1/4 x 50mm	0 - 11 bar	P6G-ERB2110
1/4 x 50mm	0 - 14 bar	P6G-ERB2140
1/4 x 50mm	0 - 20 bar	P6G-ERB2200

 Indicates stocked product.

Dimensions (mm)

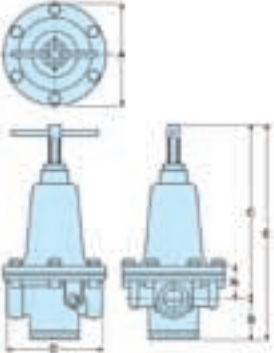
Filters - 1.1/4" & 1.1/2"



F602-10W, F602-12W

A	B	C	D	E	F
124	208	240	132	32,4	62,2

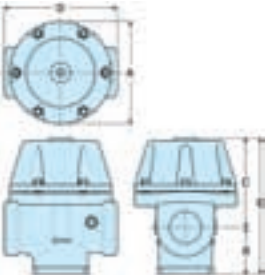
Regulators - 1.1/4" & 1.1/2"



R119-10C, R119-12C

A	B	C	D	E
125	46	217	125	263

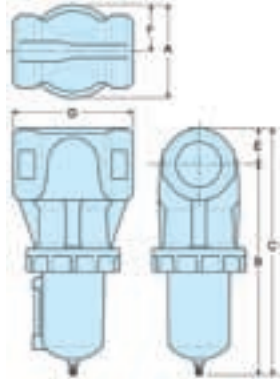
Pilot Operated Regulators - 1.1/2"



R119-12J

A	B	C	D	E	F
124	290	322	132	32,4	62,2

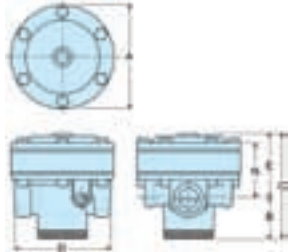
Filters - 2" & 2.1/2"



F602-16W, F602-20W

A	B	C	D	E	F
160	281	124	160	48,7	62,2

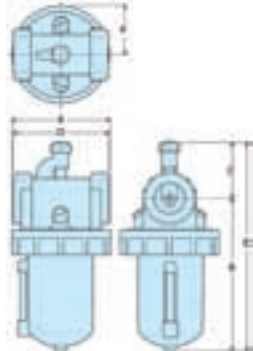
Pilot Operated Regulators - 2" & 2.1/2"



R119-16J, R119-20J

A	B	C	D	E
168	79	147	185	276

Lubricators - 1.1/4" & 1.1/2"



L606-10W, L606-12W

A	B	C	D	E	F
126	194	72,2	122	266	63,1

Stainless Steel FRLs

The range of Stainless Steel FRLs are ideal for use in the food industry, the petrochemical or process industries or any application in a particularly harsh or aggressive environment.

- Suitable for Marine & Offshore applications
- Chemical / Petroleum and process industries
- Coalescing filters are designed for removing oil and water aerosols down to 0.01µ
- Suitable for food industry applications

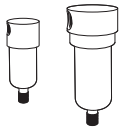
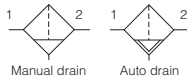


Operating information

Max operating pressure	20 bar
	12 bar when fitted with auto-drain
Max operating temperature	Regulator 65°C
	Filter + Regulator 80°C,
	50°C when fitted with auto-drain

For technical information see CD

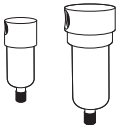
Particulate Filter



Port size	Flow l/min @ 7 bar	Filter element	Order code with manual drain	Order code with auto drain
G1/4	660	20µ	PF504G02DHSS	
G1/2	1800	40µ	PF10G04DJSS	PF10G04DJRSS

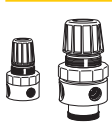
* For 5µ filter element substitute **H** or **J** with **G**

Coalescing Filter



Port size	Flow l/min @ 7 bar	Filter element	Order code with manual drain	Order code with auto drain
G1/4	240	0.3µ	PF501G02DHSS	
G1/2	480	0.01µ	PF11G04DJSS	PF11G04DJRSS

Regulator



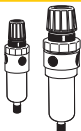
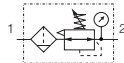
Port size	Flow l/min @ 7 bar	Order code fitted with 0-8.5 bar spring
G1/4	450	PR364G02CSS
G1/2	2820	PR10G04CSS

Lubricator



Port size	Flow l/min @ 7 bar	Order code
G1/2	3000	PL10G04DSS

Filter/Regulator




Port size	Flow l/min @ 7 bar	Order code fitted with 0-8.5 bar spring
G1/4	450	PB548G02DHCSS
G1/2	1800	PB11G04DJCSS

Connectors



Port size	Order code
G1/4	AC-2SS
G1/2	AC-4SS

Panel mounting nut for G1/4: **PR05X51SS**
G1/2: **PR10X51SS**

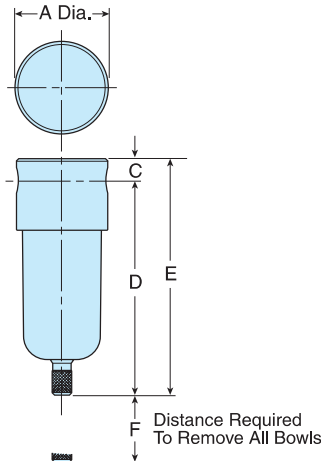
 Indicates stocked product.

Stainless steel pressure gauge M1/4G40S-10 (0 to 10 bar)

Dimensions (mm) - 1/4"

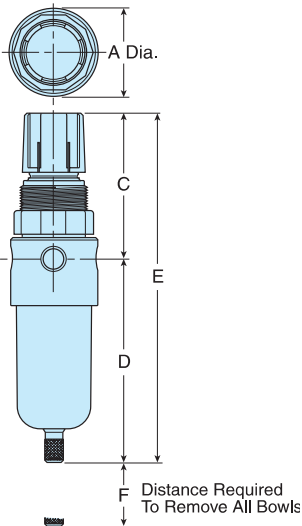
Filters

Coalescing Filters



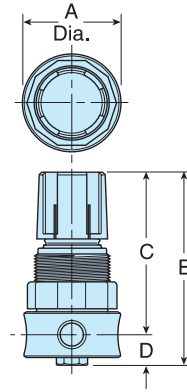
A	C	D	E	F
40mm	8mm	94mm	102mm	40mm

Filter/Regulators



A	C	D	E	F
40mm	67mm	92mm	159mm	40mm

Regulators



A	C	D	E
40mm	65mm	13mm	78mm

Service kits

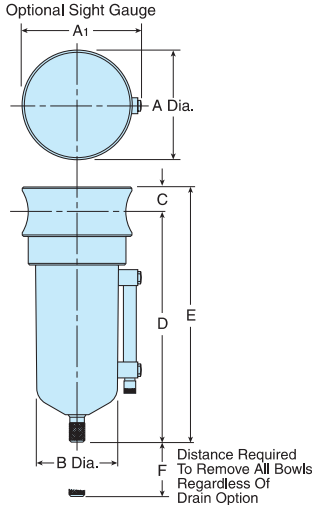
Port size	Description	Order Code
Filter		
1/4	20 micron particulate element	EK504Y
1/4	5 micron particulate element	EK504VY
1/2	40 micron particulate element	EK55J
1/2	5 micron particulate element	EK55G
Coalescing Filter		
1/4	0.3 micron coalescing element	EKF501H
1/2	0.01 micron coalescing element	EKF71
Regulator		
1/4	Relieving type	RKR364YSS
1/4	Non-relieving type	RKR36KYSS
1/2	Relieving type	RKR10YSS
1/2	Non-relieving type	RKR10KYSS
Filter/Regulator		
1/4	20 micron particulate element	EK504Y
1/4	5 micron particulate element	EK504VY
1/2	40 micron particulate element	EKF10Y
1/2	5 micron particulate element	EKF10VY
Lubricator		
	Sight dome kit	RKL10SS

Stainless Steel FRLs

Dimensions (mm) - 1/2"

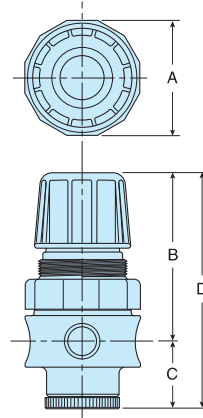
Filters

Coalescing Filters



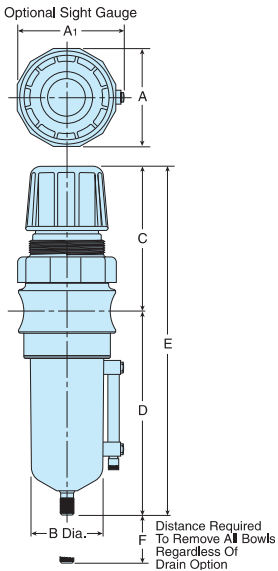
A	A ₁	B	C	D	E	F
60mm	64mm	44mm	14mm	127mm	141mm	54mm

Regulators



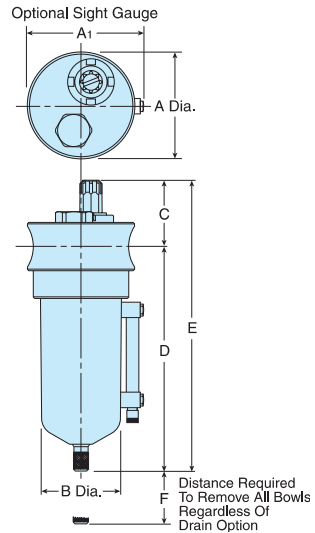
A	C	D	E
60mm	91mm	35mm	126mm

Filter/Regulators



A	A ₁	B	C	D	E	F
60mm	64mm	44mm	91mm	127mm	218mm	54mm

Lubricators



A	A ₁	B	C	D	E	F
60mm	64mm	44mm	46mm	127mm	173mm	89mm

Precision Pressure Regulators



Highly accurate units, suitable for applications such as instrumentation where precision regulation is required.

- High repeatability
- High relief capacity on R220 model
- High flow capacity on R230 model



Operating information

Max operating pressure	10 bar
Max operating temperature	66°C
Repeatability:	R210 model 0.3 mbar
	R220 model 0.3 mbar
	R230 model 0.6 mbar
For technical information see CD	

	Port size	Reduced Pressure range	Flow l/min	Relief capacity l/min	Order code
	G1/4	0.13 - 2.7	396	57	R210G02A
	G1/4	0.13 - 8.1	396	57	R210G02C
	G1/4	0.13 - 8.1	396	282	R220G02C
	G1/4	0 - 2	2280	114	R230G02B
	G1/4	0.13 - 4	2280	114	R230G02C
	G1/4	0.13 - 10	2280	114	R230G02D

Mounting brackets

Series	Order code
R210 / R220	446-707-045
R230	446-707-025

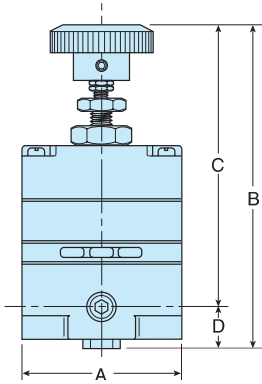


Indicates stocked product.

Precision Pressure Regulators

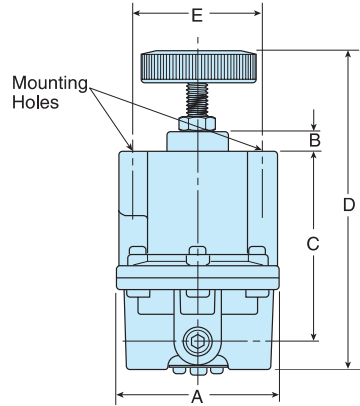
Dimensions (mm)

R210 / 220 High Precision Regulator



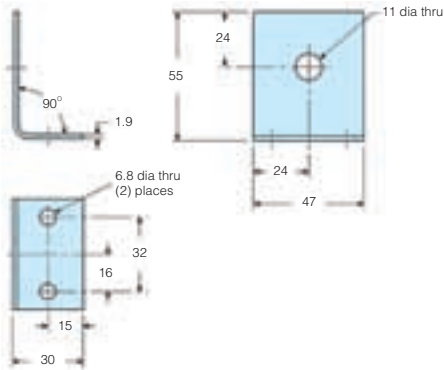
A	C	D	E
52mm	110mm	97mm	13.5mm

R230 High Flow Precision Regulator



A	B	C	D	E
76mm	10mm	86mm	154mm	57mm

Mounting bracket - 446-707-045



Mounting bracket - 446-707-025

