

Precision Pressure Regulators

Highly accurate units, suitable for applications such as instrumentation where precision regulation is required.



- High repeatability
- High relief capacity on R220 model
- High flow capacity on R230 model



Operating information


Max operating pressure	10 bar
Max operating temperature	66°C
Repeatability:	R210 model 0.3 mbar
	R220 model 0.3 mbar
	R230 model 0.6 mbar

For technical information see CD

	Port size	Reduced Pressure range	Flow l/min	Relief capacity l/min	Order code
	G1/4	0.13 - 2.7	396	57	R210G02A
	G1/4	0.13 - 8.1	396	57	R210G02C
	G1/4	0.13 - 8.1	396	282	R220G02C
	G1/4	0 - 2	2280	114	R230G02B
	G1/4	0.13 - 4	2280	114	R230G02C
	G1/4	0.13 - 10	2280	114	R230G02D

Mounting brackets

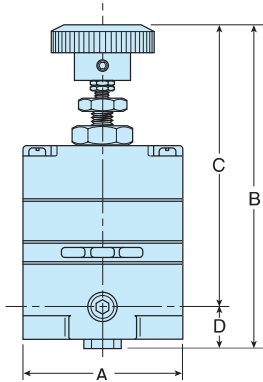
Series	Order code
R210 / R220	446-707-045
R230	446-707-025

 Indicates stocked product.

Precision Pressure Regulators

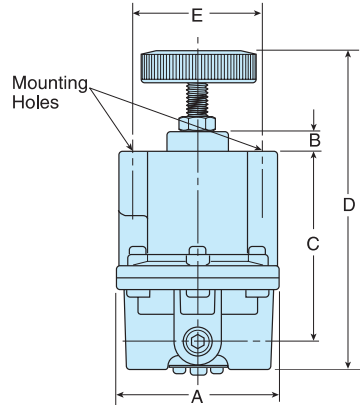
Dimensions (mm)

R210 / 220 High Precision Regulator



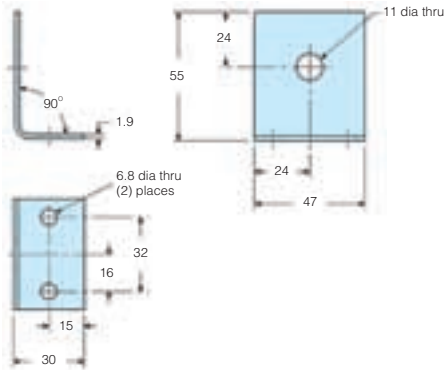
A	C	D	E
52mm	110mm	97mm	13.5mm

R230 High Flow Precision Regulator



A	B	C	D	E
76mm	10mm	86mm	154mm	57mm

Mounting bracket - 446-707-045



Mounting bracket - 446-707-025

