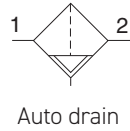
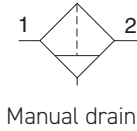


## P32 Particulate Filter – Compact

- Integral 1/4", 3/8" or 1/2" ports (NPT, BSPP & BSPT)
- High efficiency 5 micron element as standard
- Excellent water removal efficiency
- Robust but lightweight aluminum construction
- Positive bayonet latch to ensure correct & safe fitting



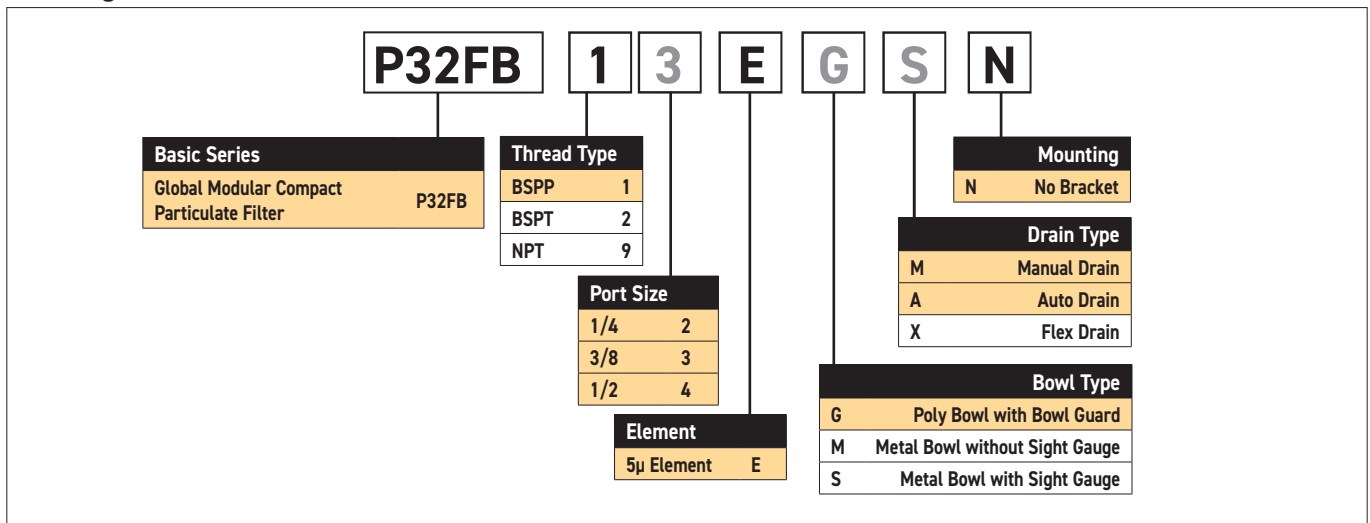
Port Size	Description †	Part Number
1/4"	Poly Bowl, Manual Drain	<b>P32FB12EGMN</b>
1/4"	Poly Bowl, Auto Drain	<b>P32FB12EGAN</b>
1/4"	Metal Bowl, Manual Drain	<b>P32FB12ESMN</b>
1/4"	Metal Bowl, Auto Drain	<b>P32FB12ESAN</b>
3/8"	Poly Bowl, Manual Drain	<b>P32FB13EGMN</b>
3/8"	Poly Bowl, Auto Drain	<b>P32FB13EGAN</b>
3/8"	Metal Bowl, Manual Drain	<b>P32FB13ESMN</b>
3/8"	Metal Bowl, Auto Drain	<b>P32FB13ESAN</b>
1/2"	Poly Bowl, Manual Drain	<b>P32FB14EGMN</b>
1/2"	Poly Bowl, Auto Drain	<b>P32FB14EGAN</b>
1/2"	Metal Bowl, Manual Drain	<b>P32FB14ESMN</b>
1/2"	Metal Bowl, Auto Drain	<b>P32FB14ESAN</b>

† For polycarbonate bowl, see caution in Engineering Section A.

Operating Information	
Supply pressure (max):	
Plastic bowl	150 psig (10 bar)
Metal bowl	250 psig (17 bar)
Operating temperature:	
Plastic bowl	-13°F to 125°F (-25°C to 52°C)
Metal bowl	-13°F to 150°F (-25°C to 65.5°C)
Standard filtration:	5 micron
Flow capacity*:	
1/4"	50 scfm (24 dm <sup>3</sup> /s, ANR)
3/8"	78 scfm (37 dm <sup>3</sup> /s, ANR)
1/2"	82 scfm (39 dm <sup>3</sup> /s, ANR)
Useful retention†:	1.7 US oz. (51 cm <sup>3</sup> )
Weight:	0.62 lb (0.28 kg)
* Inlet pressure 91.3 psig (6.3 bar). Pressure drop 4.9 psig (0.34 bar).	
† Useful retention refers to volume below the quiet zone baffle.	

Air quality: Within ISO 8573-1: 2010 Class 6 (Particulates)

### Ordering Information:



### Most Popular



**Material Specifications**

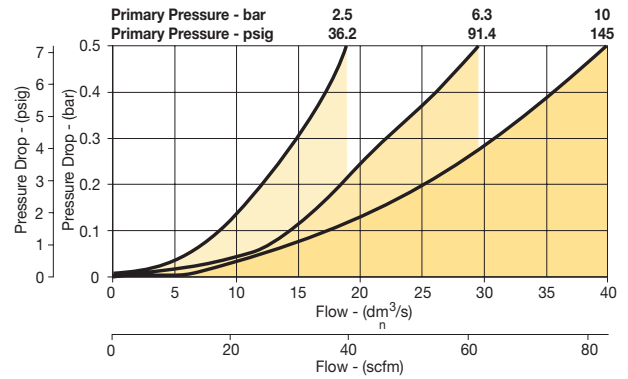
Body	Aluminum
Body cap	ABS
Plastic bowl	Polycarbonate
Metal bowl	Aluminum
Bowl guard	Nylon
Deflector	Polypropylene
Element retainer / Baffle	Acetal
Filter element	Sintered polyethylene
Seals	Nitrile
Sight gauge	Nylon

**Repair and Service Kits**

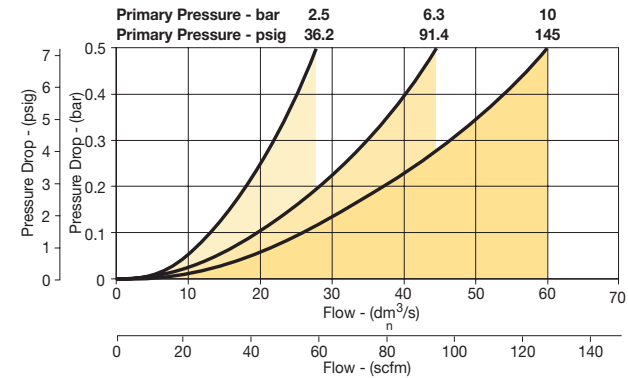
Plastic bowl / bowl guard, manual drain	<b>P32KB00BGM</b>
Metal bowl / sight gauge, manual drain	<b>P32KB00BSM</b>
Auto drain	<b>P32KA00DA</b>
5µ particle filter element	<b>P32KA00ESE</b>
L-bracket (fits to body)	<b>P32KA00ML</b>
T-bracket (fits to body connector)	<b>P32KA00MB</b>
T-bracket with body connector	<b>P32KA00MT</b>
Body connector	<b>P32KA00CB</b>

**Flow Charts**

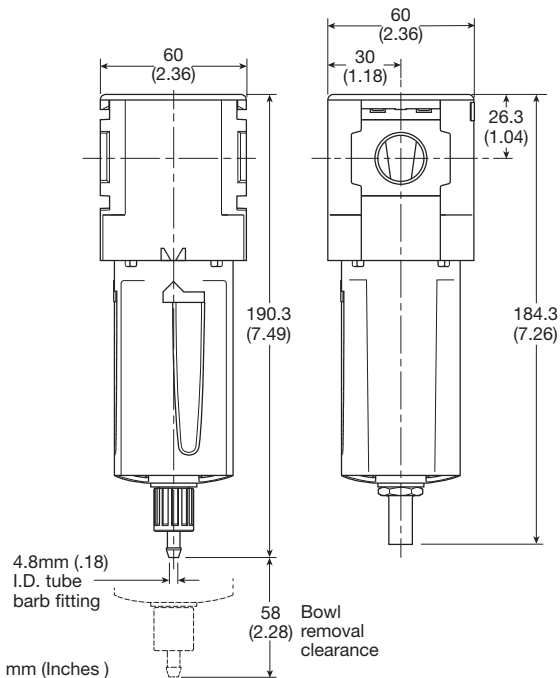
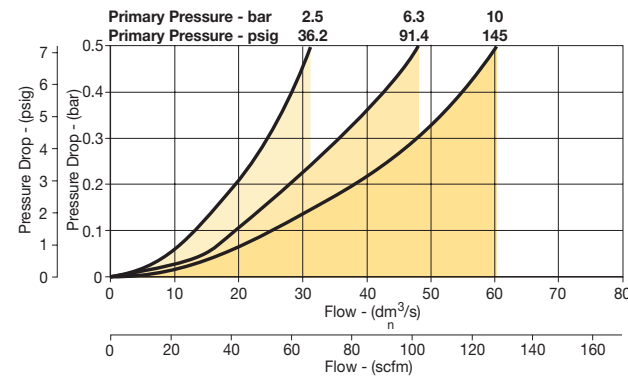
**P32FB 1/4" Filter**



**P32FB 3/8" Filter**



**P32FB 1/2" Filter**



Manual Drain

Automatic Drain

**Most Popular**

