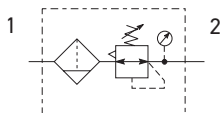


P32 Filter / Regulators - Compact

- Integral 1/4", 3/8" or 1/2" ports (NPT, BSPP & BSPT)
- High efficiency 5 micron element as standard
- Excellent water removal efficiency
- Robust but lightweight aluminum construction
- Positive bayonet latch to ensure correct & safe fitting
- Secondary pressure ranges
- Secondary aspiration plus balanced poppet provides quick response and accurate pressure regulation



Port Size	Description (relieving)	Bowl / Drain Type †	Part Number
1/4"	125 psig (8 bar)	Poly / Manual	P32EB12EGMBNNP
1/4"	125 psig (8 bar)	Poly / Auto	P32EB12EGABNNP
1/4"	125 psig (8 bar)	Metal / Manual	P32EB12ESMBNNP
1/4"	125 psig (8 bar)	Metal / Auto	P32EB12ESABNNP
3/8"	125 psig (8 bar)	Poly / Manual	P32EB13EGMBNNP
3/8"	125 psig (8 bar)	Poly / Auto	P32EB13EGABNNP
3/8"	125 psig (8 bar)	Metal / Manual	P32EB13ESMBNNP
3/8"	125 psig (8 bar)	Metal / Auto	P32EB13ESABNNP
1/2"	125 psig (8 bar)	Poly / Manual	P32EB14EGMBNNP
1/2"	125 psig (8 bar)	Poly / Auto	P32EB14EGABNNP
1/2"	125 psig (8 bar)	Metal / Manual	P32EB14ESMBNNP
1/2"	125 psig (8 bar)	Metal / Auto	P32EB14ESABNNP

† For polycarbonate bowl, see caution in Engineering Section A.

Operating Information

Flow capacity*:	1/4	148 scfm (70 dm ³ /s, ANR)
	3/8	158 scfm (75 dm ³ /s, ANR)
	1/2	164 scfm (77 dm ³ /s, ANR)
Operating temperature:	Plastic bowl	-13°F to 125°F (-25°C to 52°C)
	Metal bowl	-13°F to 150°F (-25°C to 65.5°C)
Supply pressure (max):	Plastic bowl	150 psig (10 bar)
	Metal bowl	250 psig (17 bar)
Standard filtration:		5 micron
Useful retention†:		1.7 US oz. (51 cm ³)
Adjusting range pressure:		0 to 30 psig (0 to 2 bar)
		0 to 60 psig (0 to 4 bar)
		0 to 125 psig (0 to 8 bar)
		0 to 250 psig (0 to 17 bar)
Gauge port (2 each):		1/4 NPT, BSPP, BSPT
Weight:		1.17 lb (0.53 kg)

* Inlet pressure 145 psig (10 bar). Secondary pressure 91.3 psig (6.3 bar) and 14.5 psig (1 bar) pressure drop.

† Useful retention refers to volume below the quiet zone baffle.

Air quality: Within ISO 8573-1: 2010 Class 6 (Particulates)

Ordering Information:

P32EB	1	3	E	G	M	B	N	G	P																																								
Basic Series Global Modular Compact Filter / Regulator P32EB	Thread Type BSPP 1 BSPT 2 NPT 9	Element 5µ Element E	Port Size 1/4 2 3/8 3 1/2 4	Bowl Type Poly Bowl with Bowl Guard G Metal Bowl without Sight Gauge M Metal Bowl with Sight Gauge S	Drain Type Manual Drain M Auto Drain A Flex Drain X	Adjustment N Non-Rising Knob T T-Handle	Relief B Relieving N Non-Relieving	Adjustment Range <table border="1"> <thead> <tr> <th colspan="2">With Square Gauge</th> <th colspan="2">With Round Gauge</th> </tr> <tr> <th>psig</th> <th>bar</th> <th>Z</th> <th>M</th> </tr> </thead> <tbody> <tr> <td>1 = 30*</td> <td>V = 2*</td> <td>30 psig; 2 bar; 0.2 MPa</td> <td>60 psig; 4 bar; 0.4 MPa</td> </tr> <tr> <td>3 = 60</td> <td>S = 4</td> <td>G</td> <td>125 psig; 8 bar; 0.8 MPa</td> </tr> <tr> <td>5 = 125</td> <td>T = 8</td> <td>J[§]</td> <td>250 psig; 17 bar; 1.7 MPa</td> </tr> <tr> <th colspan="4">Without Gauge</th> </tr> <tr> <td colspan="2"></td> <td>Y</td> <td>30 psig; 2 bar; 0.2 MPa</td> </tr> <tr> <td colspan="2"></td> <td>L</td> <td>60 psig; 4 bar; 0.4 MPa</td> </tr> <tr> <td colspan="2"></td> <td>N</td> <td>125 psig; 8 bar; 0.8 MPa</td> </tr> <tr> <td colspan="2"></td> <td>H[§]</td> <td>250 psig; 17 bar; 1.7 MPa</td> </tr> </tbody> </table>	With Square Gauge		With Round Gauge		psig	bar	Z	M	1 = 30*	V = 2*	30 psig; 2 bar; 0.2 MPa	60 psig; 4 bar; 0.4 MPa	3 = 60	S = 4	G	125 psig; 8 bar; 0.8 MPa	5 = 125	T = 8	J [§]	250 psig; 17 bar; 1.7 MPa	Without Gauge						Y	30 psig; 2 bar; 0.2 MPa			L	60 psig; 4 bar; 0.4 MPa			N	125 psig; 8 bar; 0.8 MPa			H [§]	250 psig; 17 bar; 1.7 MPa	Mounting P Plastic Panel Mount Nut
With Square Gauge		With Round Gauge																																															
psig	bar	Z	M																																														
1 = 30*	V = 2*	30 psig; 2 bar; 0.2 MPa	60 psig; 4 bar; 0.4 MPa																																														
3 = 60	S = 4	G	125 psig; 8 bar; 0.8 MPa																																														
5 = 125	T = 8	J [§]	250 psig; 17 bar; 1.7 MPa																																														
Without Gauge																																																	
		Y	30 psig; 2 bar; 0.2 MPa																																														
		L	60 psig; 4 bar; 0.4 MPa																																														
		N	125 psig; 8 bar; 0.8 MPa																																														
		H [§]	250 psig; 17 bar; 1.7 MPa																																														
<p>* Regulator comes with gauge respective to the adjustment range selected.</p> <p>§ Not available with poly bowl with bowl guard.</p>																																																	

Most Popular



Material Specifications

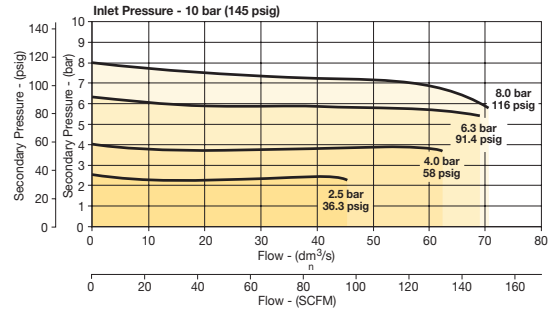
Body	Aluminum
Adjustment knob	Acetal
Element retainer / baffle	Acetal
Plastic bowl	Polycarbonate
Metal bowl	Aluminum
Bowl guard	Nylon
Filter element	Sintered polyethylene
Seals	Nitrile
Springs	Steel, stainless steel
Valve assembly	Brass / nitrile
Diaphragm assembly	Nitrile / zinc
Panel nut	Acetal
Sight gauge	Nylon

Repair and Service Kits

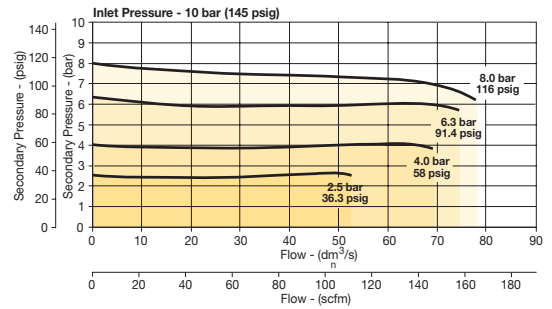
Plastic bowl / bowl guard manual drain	P32KB00BGM
Metal bowl / sight gauge manual drain	P32KB00BSM
Auto drain	P32KA00DA
5µ particle filter element	P32KA00ESE
Diaphragm repair kit - relieving	P32KB00RB
Diaphragm repair kit - non-relieving	P32KB00RC
Panel mount nut - aluminum	P32KA00MM
Panel mount nut - plastic	P32KA00MP
Angle bracket (fits to panel mount threads)	P32KB00MR
T-bracket (fits to body connector)	P32KA00MB
T-bracket with body connector	P32KA00MT
Body connector	P32KA00CB

Flow Charts

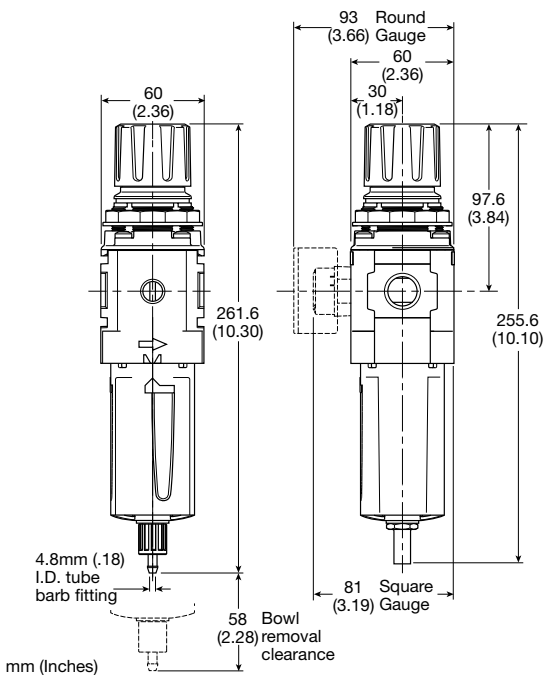
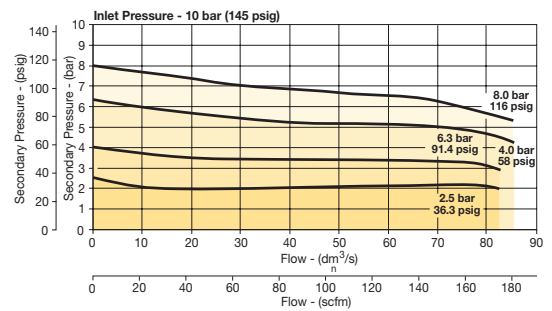
P32EB 1/4" Filter / Regulator



P32EB3/8" Filter/Regulator



P32EB 1/2" Filter/Regulator



Manual Drain

Automatic Drain

WARNING
 Product rupture can cause serious injury.
 Do not connect regulator to bottled gas.
 Do not exceed Maximum primary pressure rating.

CAUTION:

REGULATOR PRESSURE ADJUSTMENT – The working range of knob adjustment is designed to permit outlet pressures within their full range. Pressure adjustment beyond this range is also possible because the knob is not a limiting device. This is a common characteristic of most industrial regulators, and limiting devices may be obtained only by special design. For best performance, regulated pressure should always be set by increasing the pressure up to the desired setting.

Gauges

50mm (2") round	0-60 psig / 0-4 bar	P6G-ERB2040
1/4" center back mount	0-140 psig / 0-10 bar	P6G-ERB2110
	0-300 psig / 0-20 bar	P6G-ERB2200

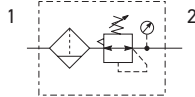
For best performance, regulated pressure should always be set by increasing the pressure up to the desired setting.

Most Popular



P32 Semi-Precision Filter / Regulators – Compact

- Integral 1/4", 3/8" or 1/2" ports (NPT, BSPP & BSPT)
- High efficiency 5 micron element as standard
- Excellent water removal efficiency
- Robust but lightweight aluminum construction
- Positive bayonet latch to ensure correct & safe fitting
- Secondary pressure ranges
- Secondary aspiration plus balanced poppet provides quick response and accurate pressure regulation



Port Size	Description / Relieving	Bowl / Drain Type †	Part Number
1/4"	125 psig (8 bar)	Poly / Manual	P32EB12EGMPNNP
1/4"	125 psig (8 bar)	Poly / Auto	P32EB12EGAPNNP
1/4"	125 psig (8 bar)	Metal / Manual	P32EB12ESMPNNP
1/4"	125 psig (8 bar)	Metal / Auto	P32EB12ESAPNNP
3/8"	125 psig (8 bar)	Poly / Manual	P32EB13EGMPNNP
3/8"	125 psig (8 bar)	Poly / Auto	P32EB13EGAPNNP
3/8"	125 psig (8 bar)	Metal / Manual	P32EB13ESMPNNP
3/8"	125 psig (8 bar)	Metal / Auto	P32EB13ESAPNNP
1/2"	125 psig (8 bar)	Poly / Manual	P32EB14EGMPNNP
1/2"	125 psig (8 bar)	Poly / Auto	P32EB14EGAPNNP
1/2"	125 psig (8 bar)	Metal / Manual	P32EB14ESMPNNP
1/2"	125 psig (8 bar)	Metal / Auto	P32EB14ESAPNNP

† For polycarbonate bowl, see caution in Engineering Section A.

Operating Information

Flow capacity*: 1/4, 3/8, 1/2	75 scfm (35 dm ³ /s, ANR)
Effect of supply pressure variation	0.6 psig (0.04 bar) for 25 psig (1.7 bar) change in P1
Operating temperature:	
Plastic bowl	-13°F to 125°F (-25°C to 52°C)
Metal bowl	-13°F to 150°F (-25°C to 65.5°C)
Supply pressure (max):	
Plastic bowl	150 psig (10 bar)
Metal bowl	250 psig (17 bar)
Standard filtration:	5 micron
Useful retention†:	1.7 US oz. (51 cm ³)
Adjusting range pressure:	0 to 30 psig (0 to 2 bar) 0 to 60 psig (0 to 4 bar) 0 to 125 psig (0 to 8 bar) 0 to 250 psig (0 to 17 bar)
Gauge port (2 each):	1/4 NPT, BSPP, BSPT
Weight:	1.17 lbs (0.53 kg)
* Inlet pressure 145 psig (10 bar). Secondary pressure 91.3 psig (6.3 bar) and 14.5 psig (1 bar) pressure drop.	
† Useful retention refers to volume below the quiet zone baffle.	

Air quality: Within ISO 8573-1: 2010 Class 6 (Particulates)

Ordering Information:

P32EB

1

3

E

G

M

P

N

G

P

Basic Series

- Global Modular
- Compact Filter / Regulator

P32EB

Thread Type

BSPP	1
BSPT	2
NPT	9

Element

5μ Element **E**

Port Size

1/4	2
3/8	3
1/2	4

Bowl Type

Poly Bowl with Bowl Guard	G
Metal Bowl without Sight Gauge	M
Metal Bowl with Sight Gauge	S

Adjustment

N Non-Rising Knob
T T-Handle

Mounting

P Plastic Panel Mount Nut

Relief

P Semi-Precision Relieving
T Semi-Precision Non-Relieving

Adjustment Range

With Square Gauge		With Round Gauge	
psig	bar	Z	
1 = 30*	V = 2*	M	30 psig; 2 bar; 0.2 MPa
3 = 60	S = 4	G	60 psig; 4 bar; 0.4 MPa
5 = 125	T = 8	J [§]	125 psig; 8 bar; 0.8 MPa
			Without Gauge
		Y	30 psig; 2 bar; 0.2 MPa
		L	60 psig; 4 bar; 0.4 MPa
		N	125 psig; 8 bar; 0.8 MPa
		H[§]	250 psig; 17 bar; 1.7 MPa

Drain Type

Manual Drain	M
Auto Drain	A

* Regulator comes with gauge respective to the adjustment range selected.
§ Not available with poly bowl with bowl guard.

Most Popular



Material Specifications

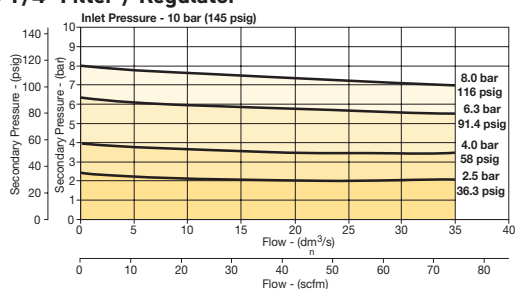
Body	Aluminum
Adjustment knob	Acetal
Element retainer / baffle	Acetal
Plastic bowl	Polycarbonate
Metal bowl	Aluminum
Bowl guard	Nylon
Filter element	Sintered polyethylene
Seals	Nitrile
Springs	Steel, stainless steel
Valve assembly	Brass / nitrile
Diaphragm assembly	Nitrile / zinc
Panel nut	Acetal
Sight gauge	Nylon

Repair and Service Kits

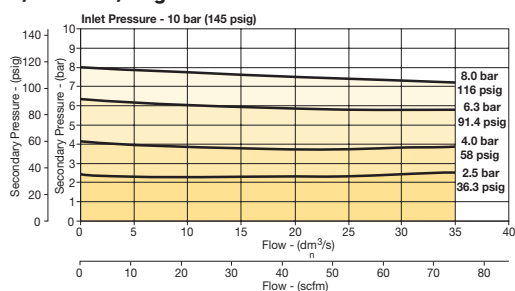
Plastic bowl / bowl guard manual drain	P32KB00BGM
Metal bowl / sight gauge manual drain	P32KB00BSM
Auto drain	P32KA00DA
5µ particle filter element	P32KA00ESE
Diaphragm repair kit - relieving	P32KB00RB
Diaphragm repair kit - non-relieving	P32KB00RC
Panel mount nut - aluminum	P32KA00MM
Panel mount nut - plastic	P32KA00MP
Angle bracket (fits to panel mount threads)	P32KB00MR
T-bracket (fits to body connector)	P32KA00MB
T-bracket with body connector	P32KA00MT
Body connector	P32KA00CB

Flow Charts

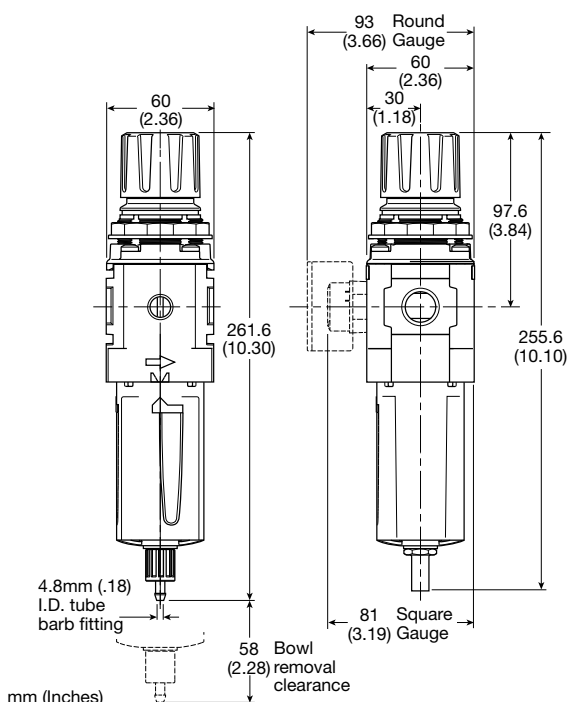
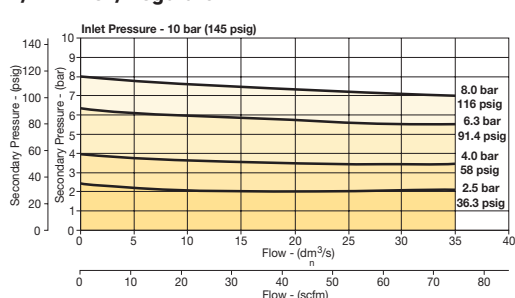
P32EB 1/4" Filter / Regulator



P32EB 3/8" Filter/Regulator



P32EB 1/2" Filter/Regulator



WARNING

Product rupture can cause serious injury.
Do not connect regulator to bottled gas.
Do not exceed Maximum primary pressure rating.

CAUTION:
REGULATOR PRESSURE ADJUSTMENT – The working range of knob adjustment is designed to permit outlet pressures within their full range. Pressure adjustment beyond this range is also possible because the knob is not a limiting device. This is a common characteristic of most industrial regulators, and limiting devices may be obtained only by special design. For best performance, regulated pressure should always be set by increasing the pressure up to the desired setting.

Gauges		
50mm (2") round	0-60 psig / 0-4 bar	P6G-ERB2040
1/4" center back mount	0-160 psig / 0-11 bar	P6G-ERB2110
	0-300 psig / 0-20 bar	P6G-ERB2200

For best performance, regulated pressure should always be set by increasing the pressure up to the desired setting.

Most Popular

