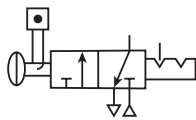
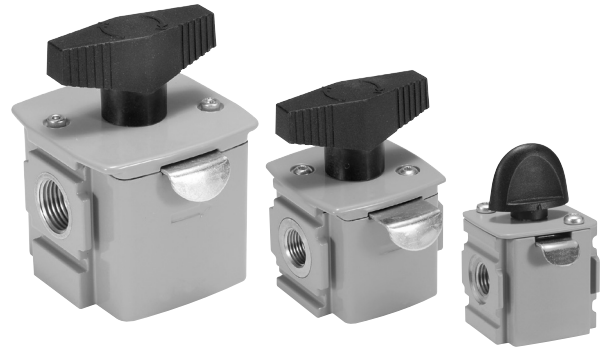


## Ball Valves / Lockout Valves

The Ball / Lockout Valve shuts off downstream line pressure in the closed position with a 90° turn of the handle. In the closed position, inlet air pressure is blocked and downstream / system air is exhausted through a threaded port. To prevent unauthorized adjustment, the padlock slide may be assembled on either side. It is recommended that this slide is installed after final system assembly.

The Safety Lockout valves conform to OSHA #29 CFR part 1910 – control of hazardous energy source (lockout / tagout).

**Note:** This padlock slide is a permanent assembly and may not be removed later, any unauthorized tampering will void any warranty claims. The valve can only be locked in the closed position.



### Ordering Information:

Model Type	Port Size	Exhaust Port	Flow scfm (dm <sup>3</sup> /s, ANR)	Modular Ball Valve Flow from Left to Right
P31	1/4"	1/4"	42.4 (20)	<b>P31VB12LBNN</b>
P32	3/8"	1/4"	190.7 (90)	<b>P32VB13LBNN</b>
	1/2"	1/4"	258.5 (122)	<b>P32VB14LBNN</b>
P33	1/2"	1/2"	561.5 (265)	<b>P33VB14LBNN</b>
	3/4"	1/2"	678 (320)	<b>P33VB16LBNN</b>

\* Lockout tab and muffler supplied with unit.

For thread type:    BSPP **1**  
                               BSPT **2**  
                               NPT **9**

### Operating Information

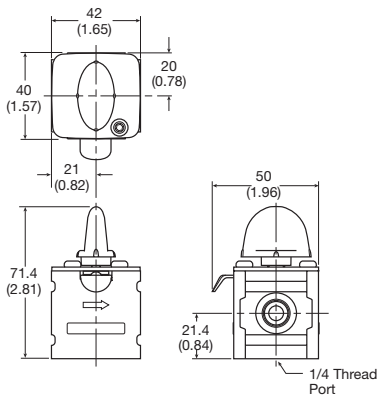
Operating temperature:	-40°C to 80°C (-40°F to 176°F)
Pressure supply (max):	250 psig (17 bar)
Port size:	BSPP / BSPT / NPT      1/4, 3/8, 1/2, 3/4
Weight:	P31                            0.33 lbs (0.15 kg) P32                            0.79 lbs (0.36 kg) P33                            1.21 lbs (0.55 kg)

### Material Specifications

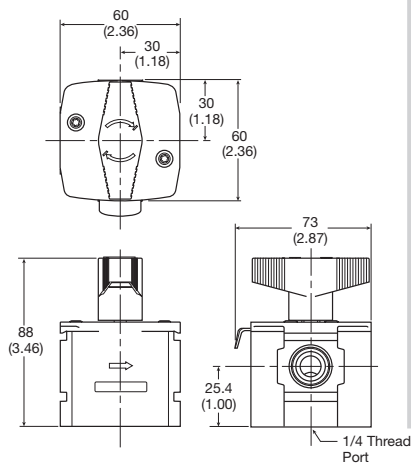
Body	Aluminum
Seals	PTFE
Ball	Stainless Steel
Lockout Tab	Zinc Plated Steel
Screw	Zinc Plated Steel

### Dimensions mm (inches)

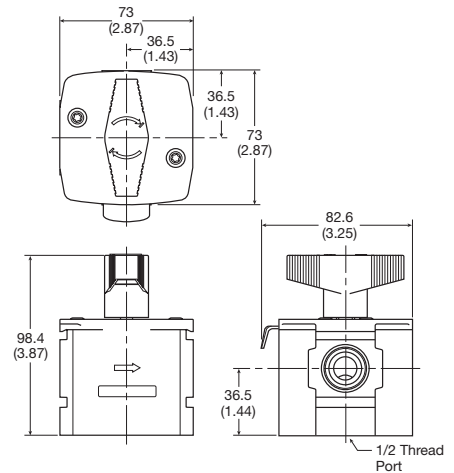
#### P31



#### P32



#### P33



### Most Popular

