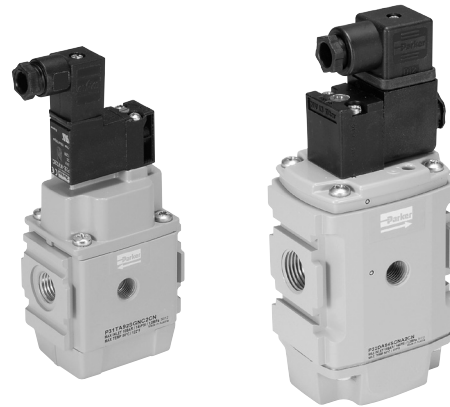
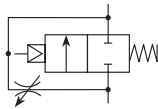


P31S & P32S Soft Start Valves

- Modular design with 1/4" or 1/2" integral ports (NPT, BSPP & BSPT)
- The 2-way, 2-position function provides for the safe introduction of pressure
- Adjustable slow start
- Solenoid or air pilot options
- High flow



Parker Global Series Soft Start Valves, provide for the safe introduction of pressure to machines or systems. Soft Start Valves, allow the pressure to gradually build to the set point before fully opening to deliver full flow at line pressure.

The controlled introduction of pressure can be an important safety factor and prevent damage to tooling when air pressure is introduced at machine or system start up.

Note: Soft Start Valves must be installed downstream of a 3/2 valve with exhaust capability

Port Size	Description	Weight Lbs (Kg)	Part Number
1/4"	120VAC Solenoid & Cable Plug	0.8 (0.37)	P31SA12SGNC1FN
1/4"	24VDC Solenoid & Cable Plug	0.9 (0.41)	P31SA12SGNC2CN
1/4"	Internal Air Pilot Operated	0.8 (0.37)	P31SA12Y0N
1/4"	External Air Pilot (1/8" threaded)	0.8 (0.37)	P31SA12PPN
1/2"	120VAC 30mm Coil & Cable Plug incl.	1.5 (0.87)	P32SA14SCNA3GN
1/2"	24VDC 30mm Coil & Cable Plug	2.0 (0.90)	P32SA14SCNA2CN
1/2"	Internal Air Pilot Operated	2.0 (0.90)	P32SA14Y0N
1/2"	External Air Pilot (1/8" threaded)	1.5 (0.87)	P32SA14PPN

Operating Information

Flow capacity*:	P31S	36 scfm (17 dm ³ /s, ANR)
	P32S	101 scfm (48 dm ³ /s, ANR)
Temperature range (max)†:	Solenoid operated	14°F to 122°F (-10°C to 50°C)
	Air pilot operated	-4°F to 176°F (-20°C to 80°C)
Pressure (max):	Solenoid operated	150 psig (10 bar)
	Air pilot operated	250 psig (17 bar)
Operating pressure (min):		44 psig (3 bar)
Fluid:		Compressed air
Ports:	Air pilot	1/8
	Gauge	P31S - 1/8; P32S - 1/4

* Inlet pressure 91.3 psig (6.3 bar), inlet pressure and 14.5 psig (1 bar) pressure drop.

† Air supply must be dry enough to avoid ice formation at temperatures below 35.6°F (2°C). Snap pressure: Full flow when downstream pressure reaches 50% of the inlet pressure.

Ordering Information:

P31SA

Body Size	
Soft Start	P31SA
Soft Start	P32SA

1

Thread Type	
BSPP	1
BSPT	2
NPT	9

2

Port Size	
Global Modular Mini (1/4")	2
Global Modular Compact (1/2")	4

S

Pilot Type	
P	External Air Pilot
S	Solenoid Pilot
Y	Internal Air Pilot

G N

Actuator Interface	
0	Internal Pilot
G	15mm Solenoid (P31 Only)
C	30mm Solenoid
P	Threaded Air Pilot

C 2CN

Solenoid Voltage	
2CN	24VDC Non Locking Manual Override
3GN	120VAC Non Locking Manual Override
1FN	120VAC Non Locking Manual Override (P31 series only)

Note: P32 unit used for both P32 & P33 series

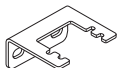
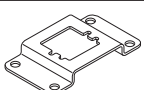
Most Popular



Material Specifications

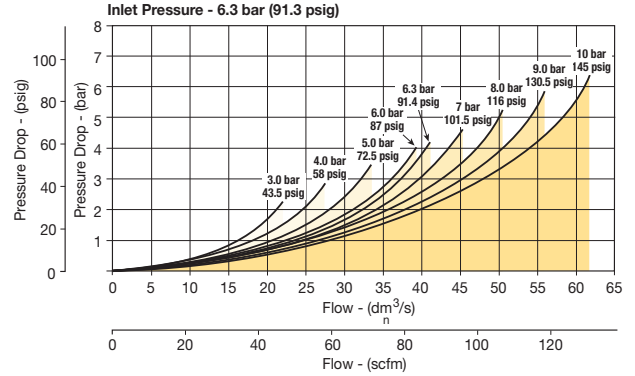
Body	Aluminum
Body cover	Polyester
Seals	Nitrile NBR

Mounting Brackets

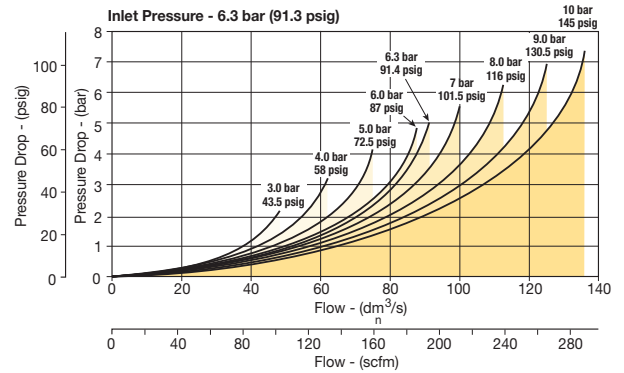
	Description	Part Number
	L-bracket mounting kit	P3HKA00ML
P31		
	Foot bracket mounting kit	P3HKA00MC
P31		

Flow Charts

P31SA 1/4" Soft Start Valve

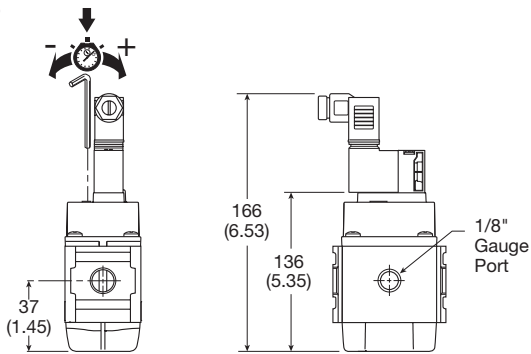


P32SA 1/2" Soft Start Valve

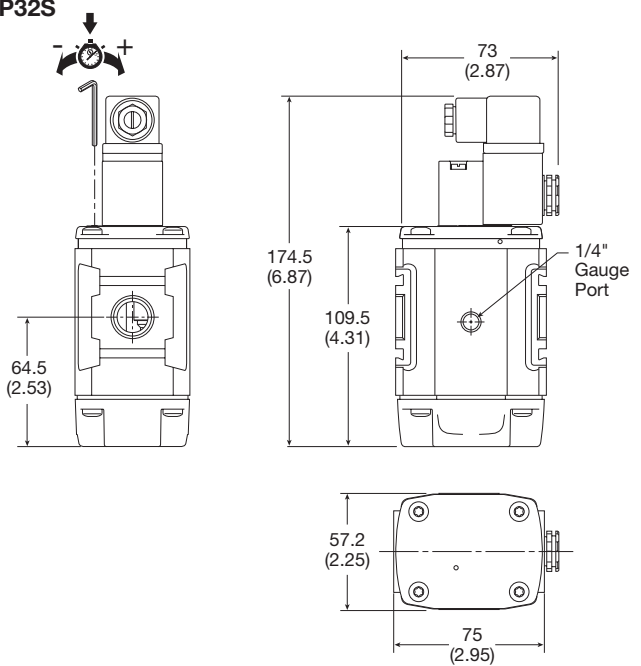


Dimensions mm (inches)

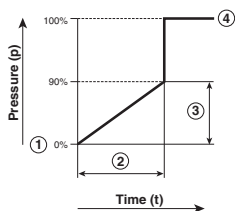
P31S



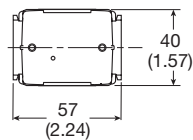
P32S



Soft Start Function:



- ① Start signal
- ② Switching time delay
- ③ Gradual pressure build up
- ④ Operating pressure $p^2 (=p^1)$



Most Popular

