

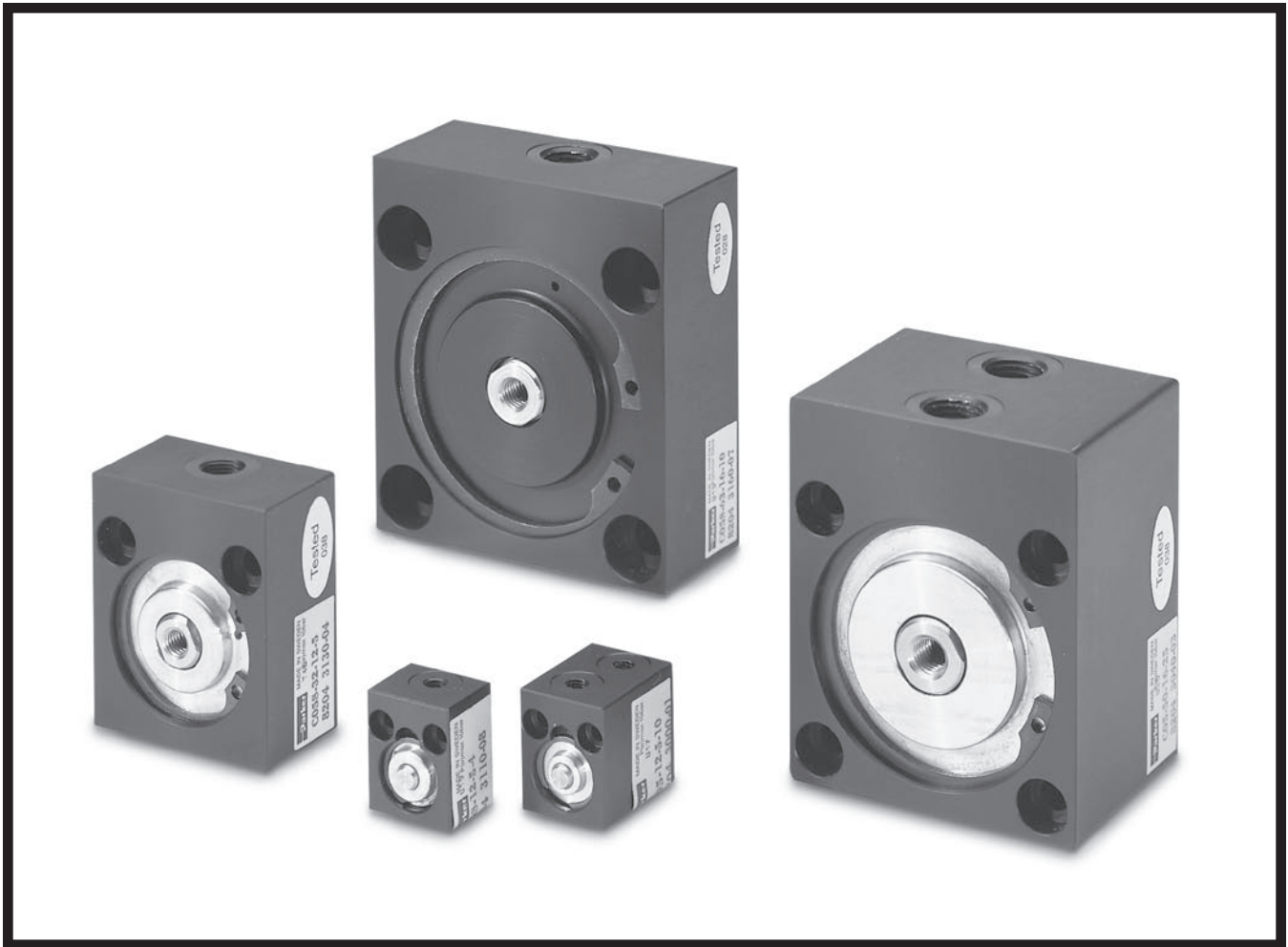


C05 & C05S Series

Short Stroke Pneumatic Cylinders



Parker
Global
Pneumatics



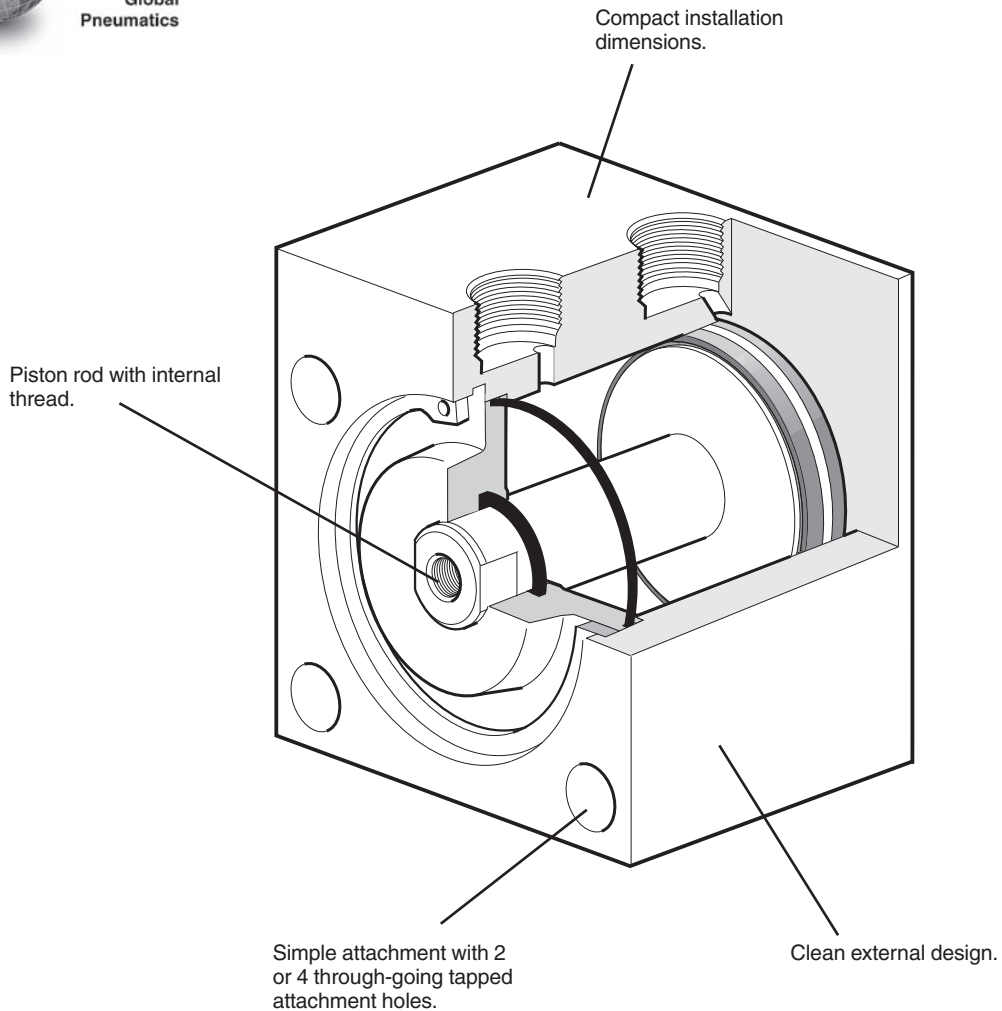
Contents

Features	A60
Order Key	A61
Product Specifications	A62
Basic Cylinder Dimensions	A63





Parker
Global
Pneumatics



Cylinders, type C05 and C05S

Compact short stroke cylinders available in single and double acting versions. Ideally suited for clamping and locking operations, the range includes bores from 8 to 63 mm, providing thrust forces of up to 3000 N.

The design has been optimized to include the following features:

Installation

The compact design (with mounting holes through the cylinder body) makes the unit easy to install in confined spaces.

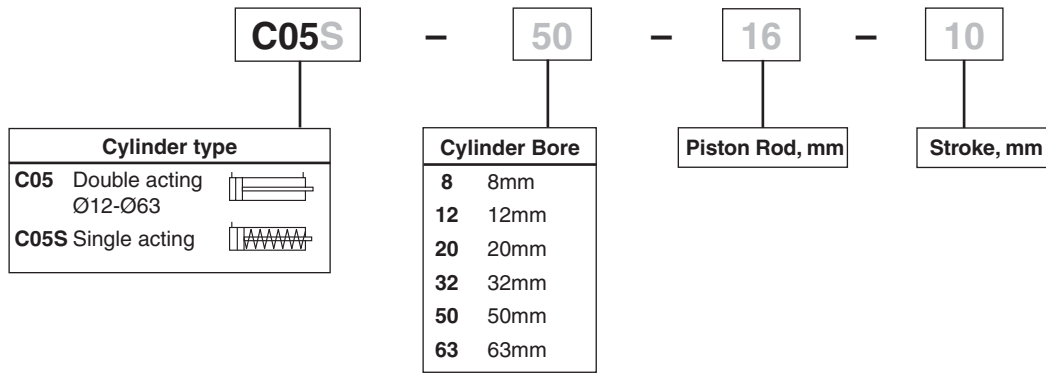
Clean design

The main body is machined from one piece, thus providing an easy to clean unit. Stainless steel piston rods are standard for corrosion resistance.

Maintenance free

The units are pre-lubricated for use without additional lubrication, reducing maintenance costs and providing an improved working environment.

Model Code



Cylinder Type	Bore Size	Piston Rod	Port Size	Stroke
Double Acting C05	12	5/-	M5	10
	20	10/M5	M5	10
	32	12/M6	G1/8	10
			G1/8	25
	50	16/M8	G1/4	25
63	16/M8	G1/4	25	
Single Acting C05S	8	4/-	M5	4
	12	5/-	M5	4
	20	10/M5	G1/8	4
	32	12/M6	G1/8	5
	50	16/M8	G1/4	10
63	16/M8	G1/4	10	

Performance Specifications

Working pressure Max 10 bar (145 PSI)
Working temperature -20°C to +70°C (-4°F to +158°F)

Prelubricated, further lubrication is not normally necessary.
If additional lubrication is introduced it has to be continued.


Material Specifications

Cylinder housing Black anodized aluminium
Front end cover Brass
Front end cover, single action Ø50-63 Black anodized aluminium
Piston rod bearing single action Ø50-63 Brass/PTFE/lead
Piston, Ø8-32 mm Stainless steel
Piston, Ø50-63 mm Aluminium
Piston rod Stainless steel
Seals Nitrile, NBR
Circlip Steel spring
Return spring Surface treated steel spring

Quick Reference

Cylinder	Cylinder		Piston Rod		Theoretical Force at 6 Bar (N)		Air ¹⁾ Consumption (l)	Spring Force (N)		Stroke (mm)	Mass Weight (kg)
	Bore (mm)	Area (cm ²)	Dia. (mm)	Area (cm ²)	Extend	Retract		Max.	Min.		
C05S-8-4-4	8	0.5	4	0.13	28	—	0.0045	—	—	4	0.016
C05S-12-5-4	12	1.1	5	0.20	65	—	0.0099	—	—	4	0.023
C05S-20-10-4	20	3.1	10	0.79	184	—	0.0151	—	—	4	0.067
C05S-32-12-5	32	8.0	12	1.13	463	—	0.0653	—	—	5	0.192
C05S-50-16-10	50	19.6	16	2.01	1145	—	0.1695	—	—	10	0.416
C05S-63-16-10	63	31.1	16	2.01	1825	—	0.2602	—	—	10	0.663
C05-12-5-10	12	1.1	5	0.20	68	56	0.0186	3	2	10	0.045
C05-20-1 0-10	20	3.1	10	0.79	190	143	0.0505	7	3	10	0.125
C05-32-12-10	32	8.0	12	1.13	480	415	0.1236	10	6	10	0.320
C05-32-12-25	32	8.0	12	1.13	480	415	0.1236	25	19	25	0.400
C05-50-16-25	50	19.6	16	2.01	1180	1060	0.3167	42	35	25	0.675
C05-63-16-25	63	31.1	16	2.01	1870	1750	0.4982	58	45	25	0.800

1) Consumption of free air per 10 mm stroke for a double stroke at 600 kPa (6 bar).

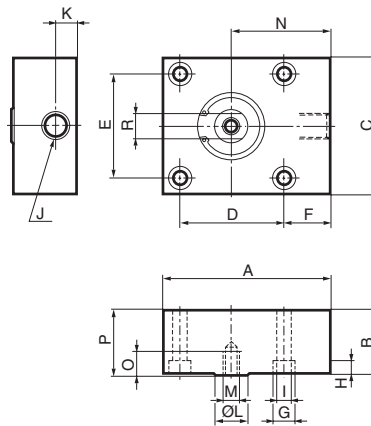


Important
Before attempting any external or internal work on the cylinder or any connected components, make sure the cylinder is vented and disconnect the air supply in order to ensure isolation of the air supply.

Note
Air quality is essential for maximum cylinder service life (see ISO 8573).

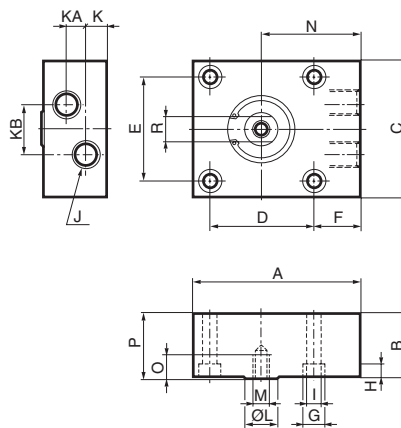
Note
All technical data in this catalog is typical data only.

Single Acting



Type	A	B	C	D	E	F	G	H	I	J	K	L	M	N	O	P	R
C05S-8-4-4	20	16	18	0*	11	5.5	6	3.4	3.4	M5	5.0	4	—	13.5	—	17	—
C05S-12-5-4	25	16	20	0*	13	7.0	6	3.4	3.4	M5	6.0	5	—	15.0	—	17	—
C05S-20-10-4	40	20	32	0*	20	9.0	10	5.0	5.5	G1/8	9.5	10	M5	24.0	8	21	—
C05S-32-12-5	55	26	45	0*	32	14.0	10	5.0	5.5	G1/8	9.5	12	M6	32.0	12	27	9
C05S-50-16-10	80	30	65	50	50	22.5	11	6.5	6.5	G1/4	11.0	16	M8	47.5	12	31	14
C05S-63-16-10	90	35	80	62	62	19.0	15	9.0	9.0	G1/4	11.0	16	M8	50.0	14	36	14

Double Acting



Type	A	B	C	D	E	F	G	H	I	J	K	KA	KB	L	M	N	O	P	R
C05-12-5-10	25	27	20	0*	13	7.0	6	3.4	3.4	M5	6.0	13.0	3	5	—	16.0	—	28	—
C05-20-10-10	40	30	32	0*	20	9.0	10	5.0	5.5	M5	6.0	16.0	6	10	M5	24.0	8	31	—
C05-32-12-10	55	36	45	0*	32	14.0	10	5.0	5.5	G1/8	9.5	16.5	14	12	M6	32.0	12	37	9
C05-32-12-25	55	51	45	0*	32	14.0	10	5.0	5.5	G1/8	9.5	31.5	0**	12	M6	32.0	12	52	9
C05-50-16-25	80	50	65	50	50	22.5	11	6.5	6.5	G1/4	11.0	28.0	0**	16	M8	47.5	12	51	14
C05-63-16-25	90	55	80	62	62	19.0	15	9.0	9.0	G1/4	11.0	33.0	0**	16	M8	50.0	14	56	14

* Only two mounting holes (F).

** Connections in-line.

