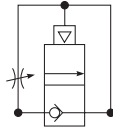


## P3Y Soft Start Valve - Large

- Integral 3/4" or 1" ports
- Smooth start-up of pneumatic system
- Air pilot operation
- Adjustable slow start
- High flow



Port Size	Description	Part Number
3/4"	Soft Start Valve	<b>P3YSA16Y0N</b>
1"	Soft Start Valve	<b>P3YSA18Y0N</b>

### Material Specifications

Body	Aluminium
Body cover	ABS
Valve	Brass / NBR composite
Pilot valve booster	Aluminum
Seals	Nitrile NBR

### Operating Information

Operating pressure (max):	254 psig (17.5 bar)
Operating pressure (min):	29 psig (2 bar)
Operating temperature*:	
Solenoid operated	14°F to 140°F (-10°C to 60°C)
Air pilot operated	14°F to 140°F (-10°C to 60°C)
Flow capacity†:	
3/4"	324 scfm (152.9 dm³/s, ANR)
1"	324 scfm (152.9 dm³/s, ANR)

Fluid: Compressed air  
Weight: 1.8 lb (0.8 kg)

† Inlet pressure 91.4 psig (6.3 bar) inlet pressure and 7.3 psig (0.5 bar) pressure drop.

\* Air supply must be dry enough to avoid ice formation at temperatures below 35.6°F (2°C).

Snap pressure: Full flow when downstream pressure reaches 50% of the inlet pressure.

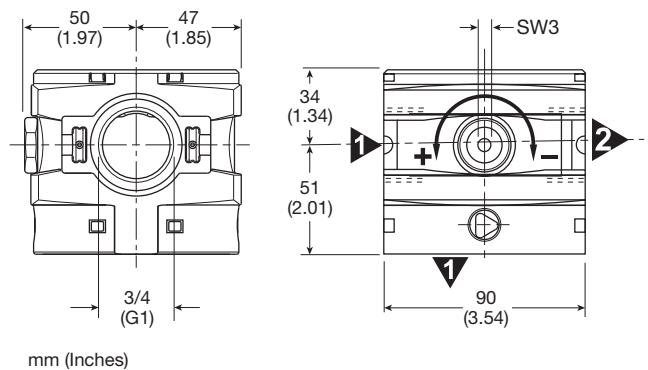
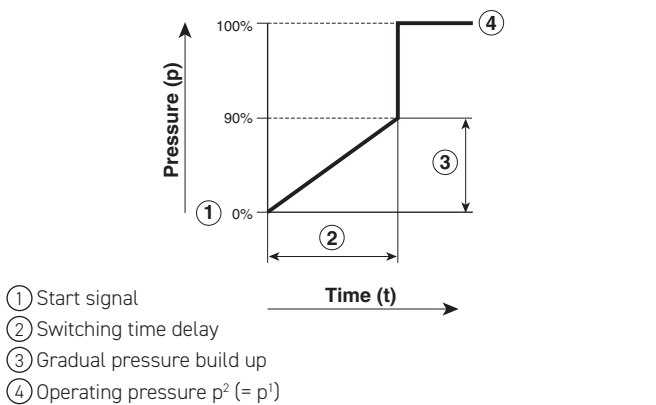
### Ordering Information:

P3YSA
1
6
Y
O
N

Basic Series	Thread Type*		Port Size	
Soft Start Valve P3YSA	BSPP	1	3/4	6
	NPT	9	1	8

\* Note: For 1-1/2" ported unit, please order P3YKA\*BCP port block kit separately.

### Flow Characteristics



### Most Popular

