

## P3Y Proportional Pressure Regulator - Large

- Integral 3/4" or 1" ports (BSP & NPT)
- Accurate output pressure
- Very fast response times
- Robust but lightweight design



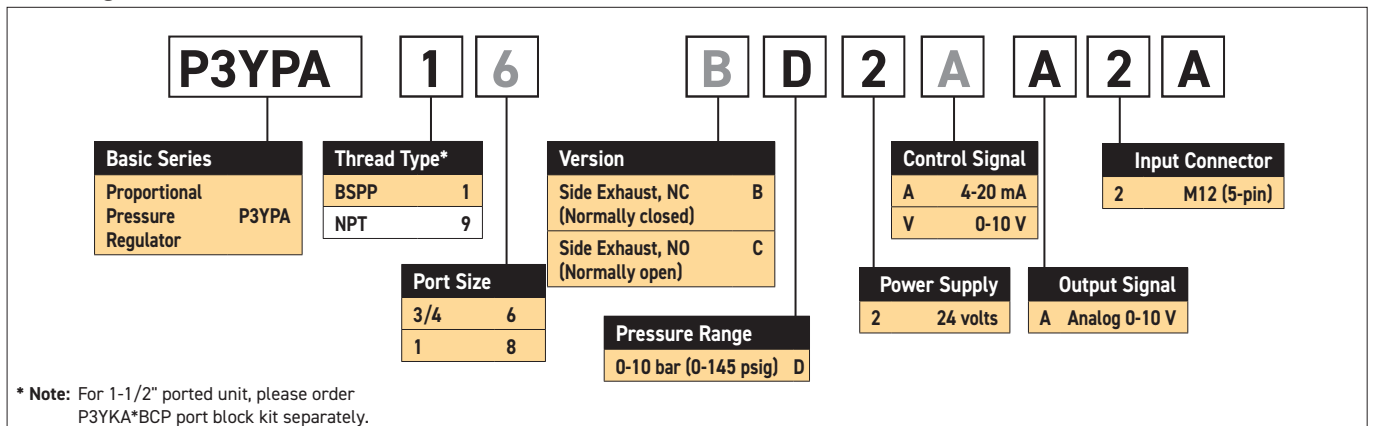
Port Size	Description	Part Number
3/4"	Normally Closed, 0 - 10 bar (0 to 145 psig)	<b>P3YPA16BD2VA2A</b>
1"	Normally Closed, 0 - 10 bar (0 to 145 psig)	<b>P3YPA18BD2VA2A</b>

### Operating Information

Operating pressure:	P <sup>1</sup> min	14.5 psig (1 bar)	Power consumption:	I <sub>Bmax</sub>	0.15 A
Inlet pressure <sup>1</sup> :	P <sup>1</sup> max	232 psig (16 bar)	Set value input:	U <sub>w</sub>	V 0-10
Operating pressure:	P <sup>2</sup> min	2.9 psig (0.2 bar)		I	mA 0-20
Outlet pressure	P <sup>2</sup> max	145 psig (10 bar)			mA 4-20
Operating temperature:		32°F to 122°F (0°C to 50°C)	Input resistance:	R <sub>E</sub>	243 K Ω
Flow capacity <sup>†</sup> :		706 scfm (33.2 dm <sup>3</sup> /s, ANR)	Actual valve output:	U <sub>x</sub>	0 - 10 V
		l/min 20000	Output current:	I <sub>Amax</sub>	10 mA
		m <sup>3</sup> /h 1200	Degree of protection:		IP65 to DIN 40050, EN 60529
Hysteresis:	P <sup>2</sup> max	< 1%	Fluid:		Compressed air
Repeatability:	P <sup>2</sup> max	< 0.5%	Weight:		1.2 lb (2.7 kg)
Sensitivity:	P <sup>2</sup> max	< 0.5%			
Linearity:	P <sup>2</sup> max	< 1%			
Nominal voltage:		U <sub>n</sub> V DC 24 V = ± 10%			
Residual ripple:		10%			

<sup>1)</sup> p<sup>1</sup> > p<sup>2</sup> + 10% p<sup>2</sup>  
<sup>2)</sup> at p<sup>1</sup> - 10 bar to p<sup>2</sup> - 6.3 bar  
<sup>†</sup> Inlet pressure 91.4 psig (6.3 bar) inlet pressure and 7.3 psig (0.5 bar) pressure drop.

### Ordering Information:



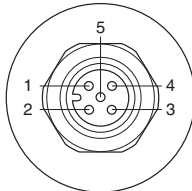
### Most Popular



**Material Specifications**

Housing	Aluminium
Pilot valve booster	Brass / NBR composite aluminium
Standard seals	NBR
Body cover screws	Steel / zinc plated

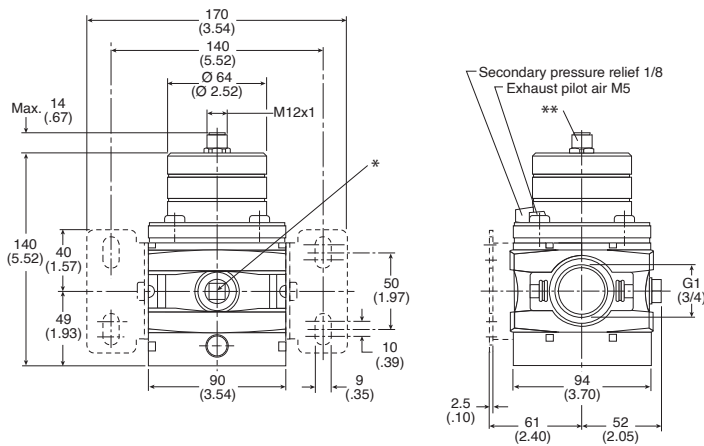
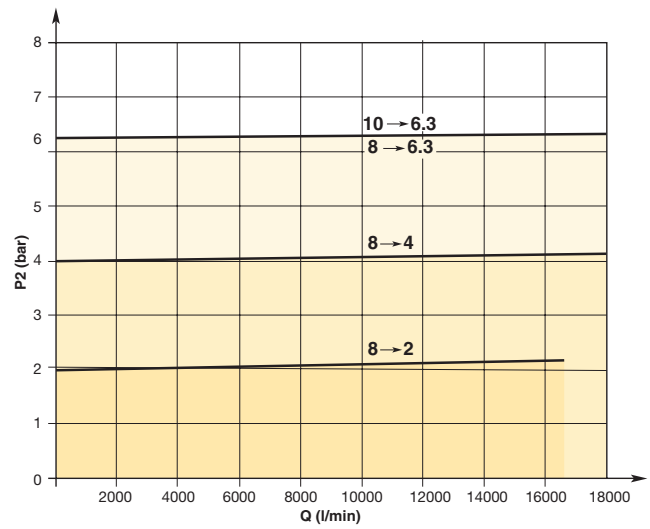
**Connection Diagram**



**Connector M12 x 1**

Pin No.	Function
1	24 V Supply
2	0 V Reference & mass capacity
3	0 - 10 V Set value input
4	0 V Signal
5	0 - 10 V Analog output

**Flow Characteristics**



\* Two opposite gauge ports 1/4, plug screw mounted  
 \*\*Connection for 5-pin plug M12 x 1

**Most Popular**

