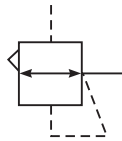


## P3Y Pilot Operated Regulator - Large

- Integral 3/4" or 1" ports (BSP & NPT)
- Pilot controlled regulators can be mounted "out of reach" with pilot regulator installed in a convenient location
- Constant pilot bleed control for accurate pressure control
- Balanced poppet provides quick response
- High flow



Port Size	Description	Part Number
3/4"	Pilot operated regulator	<b>P3YRA16BPPN</b>
1"	Pilot operated regulator	<b>P3YRA18BPPN</b>

### Operating Information

Supply pressure (max):	254 psig (17.5 bar)
Operating temperature:	-40°F to 140°F (-40°C to 60°C)
Flow capacity <sup>†</sup> :	3/4" 550 scfm (259.6 dm <sup>3</sup> /s, ANR) 1" 550 scfm (259.6 dm <sup>3</sup> /s, ANR)
Fluid:	Compressed air
Weight:	2.6 lb (1.2 kg)

<sup>†</sup> Inlet pressure 145 psig (10 bar) inlet pressure, 91.4 psig (6.3 bar) set pressure and 7.3 psig (0.5 bar) pressure drop.

### Ordering Information:

<b>P3YRA</b>		<b>1</b>	<b>6</b>	<b>BPPN</b>
<b>Basic Series</b>		<b>Thread Type*</b>		
Pilot Operated Regulator	<b>P3YRA</b>	BSP 1	3/4 6	
		NPT 9	1 8	

**\* Note:** For 1-1/2" ported unit, please order P3YKA\*BCP port block kit separately.

Most Popular

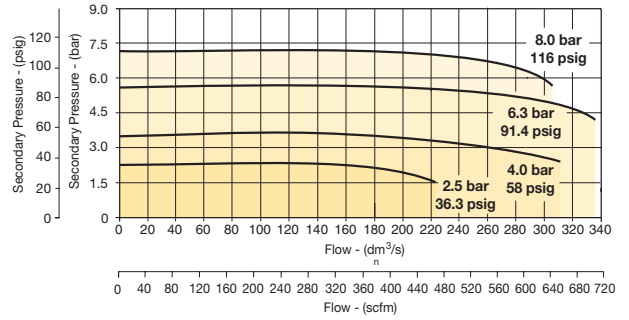


**Material Specifications**

Body	Aluminium
Body cover	ABS
Valve	Brass / NBR composite
Pilot valve booster	Aluminum
Seals	Nitrile NBR
Screws	Zinc plated steel

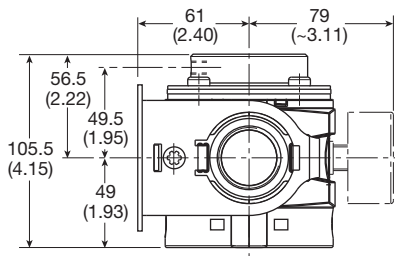
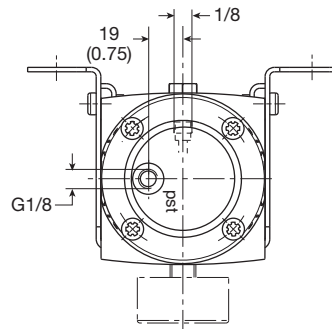
**Flow Characteristics**

**3/4" and 1" Pilot Regulator**

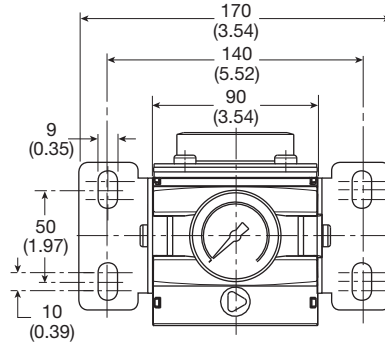


**⚠ WARNING**

**Product rupture can cause serious injury.  
Do not connect regulator to bottled gas.  
Do not exceed Maximum primary pressure rating.**



mm (Inches)



Most Popular

