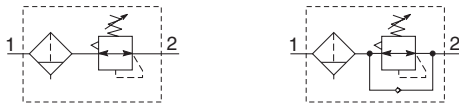


P3Y Filter / Regulator - Large

- Integral 3/4" or 1" ports (BSPP or NPT)
- High efficiency element as standard
- Excellent water removal efficiency
- Robust but lightweight aluminium construction
- Secondary pressure ranges 12 and 16 bar
- Rolling diaphragm for extended life
- Secondary aspiration plus balanced poppet provides quick response and accurate pressure regulation.
- Reverse flow / relieving option
- Low temperature -40°C (-40°F) with combined manual / semi-auto drain as standard



Port Size	Description (0 to 174 psi)	Part Number
3/4"	Relieving, COmbined Manual / Semi-Auto Drain	P3YEA16ESCBNEN
3/4"	Relieving, Auto Drain	P3YEA16ESABNEN
3/4"	Relieving, Gauge, COmbined Manual / Semi-Auto Drain	P3YEA16ESCBNFN
3/4"	Relieving, Gauge, Auto Drain	P3YEA16ESABNFN
1"	Relieving, COmbined Manual / Semi-Auto Drain	P3YEA18ESCBNEN
1"	Relieving, Auto Drain	P3YEA18ESABNEN
1"	Relieving, Gauge, COmbined Manual / Semi-Auto Drain	P3YEA18ESCBNFN
1"	Relieving, Gauge, Auto Drain	P3YEA18ESABNFN

Operating Information

Supply pressure (max)*:	254 psig (17.5 bar)
Operating temperature:	14°F to 140°F (-10°C to 60°C)
Auto drain	-40°F to 140°F (-40°C to 60°C)
Combined drain	
Standard filtration:	5 micron
Manual / semi-auto drain:	Closed at 11.6 psig (0.8 bar) G1/8 thread male
Auto drain bowl pressure:	Closed at 11.6 psig (0.8 bar)
Bowl capacity:	4.4 US oz. (130 cm ³)
Standard filtration:	5 micron
Flow capacity†:	3/4" 335 scfm (158.1 dm ³ /s, ANR) 1" 465 scfm (219.5 dm ³ /s, ANR)
Fluid:	Compressed air
Gauge port (x2):	1/4"
Weight:	3.3 lb (1.5 kg)

† Inlet pressure 91.4 psig (6.3 bar) inlet pressure and 7.3 psig (0.5 bar) pressure drop.

* Air supply must be dry enough to avoid ice formation at temperatures below 35.6°F (2°C).

Air quality: Within ISO 8573-1: 2010 Class 6 and 7 (Particulates)

Ordering Information:

P3YEA		1	6	E	SA	B	N	E	N
Basic Series	Filter / Regulator	Thread Type*	Port Size	Drain Type	Relief	Lockable	Adjustment Range		
	P3YEA	BSPP 1 NPT 9	3/4 6 1 8	SC Combined Manual / Semi-Auto Drain SA Auto Drain	B Relieving R Reverse Flow / Relieving	N Standard A† Lockable	E 0 to 174 psi (0 to 12 bar), No Gauge H 0 to 232 psi (0 to 16 bar), No Gauge F 0 to 174 psi (0 to 12 bar), Gauge J 0 to 232 psi (0 to 16 bar), Gauge		
				Element					
				E 5 micron G 30 micron					

Notes:
 * For 1-1/2" ported unit, please order P3YKA*BCP port block kit separately.
 † Not field convertible.

Most Popular



Material Specifications

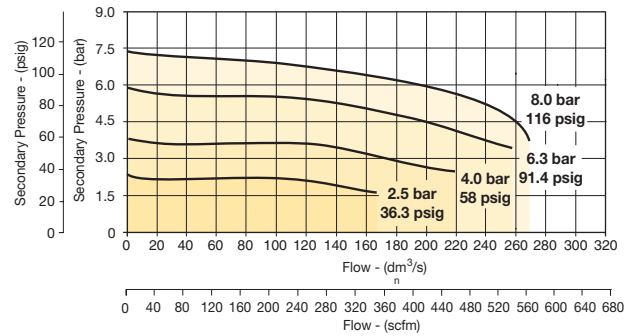
Body	Aluminium
Sight glass and bowl	Polypropylene
Body cover	ABS
Element	Sintered polypropylene
Seals	Nitrile NBR
Manual / semi-auto drain	Acetal
Auto drain	PA / Ø 10mm brass connection
Bonnet	Glass filled polyamide
Control Knob	Glass filled polyamide
Valve	Brass / NBR
Screws	Steel / zinc plated

Repair and Service Kits

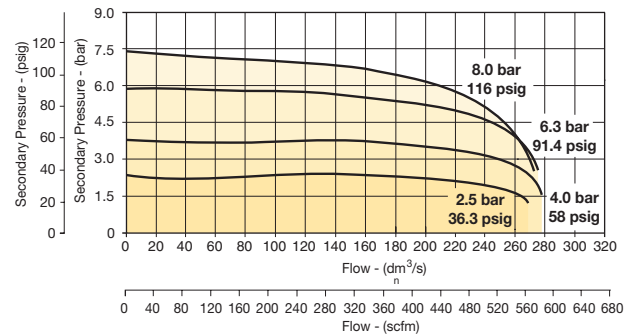
5 micron element kit	P3YKA00ESE
30 micron element kit	P3YKA00ESG
Bowl kit with combined manual/semi auto drain	P3YKA00BSC
Bowl kit with auto drain	P3YKA00BSA
Key lock kit	P3XKA00AS
Diaphragm kit (relieving type)	P3YKA00RR
Diaphragm kit (non-relieving type)	P3YKA00RN
Angle bracket + metal lock ring	P3YKA00MS
Panel mount nut	P3YKA00MM
0 to 300 psig (0 to 20 bar), gauge 1/4" port	P6G-ERB2200

Flow Characteristics

(3/4") 5 Micron Filter / Regulator



(1") 5 Micron Filter / Regulator

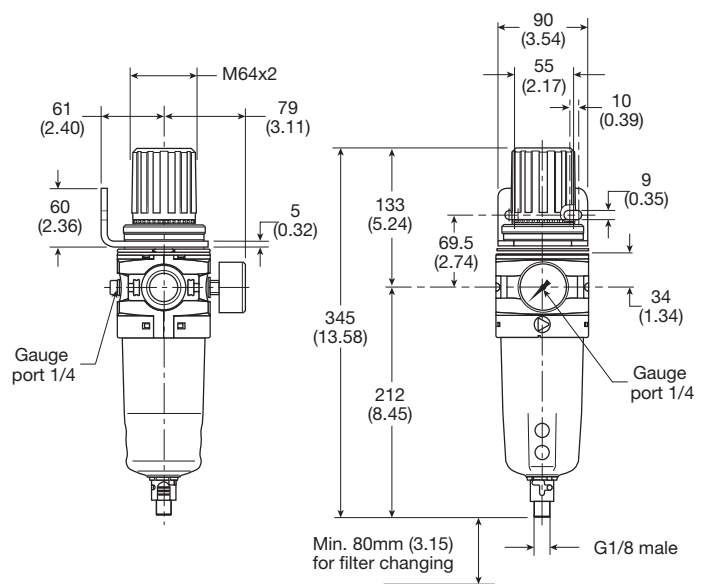


WARNING

Product rupture can cause serious injury.
Do not connect regulator to bottled gas.
Do not exceed Maximum primary pressure rating.

CAUTION:

REGULATOR PRESSURE ADJUSTMENT - The working range of knob adjustment is designed to permit outlet pressures within their full range. Pressure adjustment beyond this range is also possible because the knob is not a limiting device. This is a common characteristic of most industrial regulators, and limiting devices may be obtained only by special design. For best performance, regulated pressure should always be set by increasing the pressure up to the desired setting.



mm (Inches)

Most Popular

