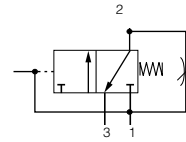


Dump Valve & Combined Soft Start Dump Valve



Symbols



- Modular design with 1/2" & 3/4" integral ports (BSPP or NPT)
- Provides for the safe introduction of pressure
- Automatically dumps downstream pressure on the loss of pilot signal
- Adjustable slow start
- Solenoid or air pilot options
- High flow & exhaust capability

P3X Series Combined Soft Start/Dump Valves, provide for the safe introduction of pressure to machines or systems. Soft Start/Dump Valves when set, allow the pressure to gradually build to the set point before fully opening to deliver full flow at line pressure.

The controlled introduction of pressure can be an important safety factor and prevent damage to tooling when air pressure is introduced at machine or system start up.

Options:

P 3 X		A		N		Solenoid type only	
Combined soft start dump valve	T	External air pilot	P	None (operator is fitted to valve)	0	Solenoid / coil not fitted	000
Dump valve	D	Solenoid pilot	S	30mm CNOMO coil (Form connection)	A	24V DC	2CN
BSPP (G)	1	30mm operator	C	22mm coil (Form connection)	B		
NPT *	9	Threaded air pilot	P	30mm CNOMO coil (M12 connection)	D		
				22mm coil (M12 connection)	E		

* NPT Ports on request 1/2" size only

Combined soft start dump valve

Port size	Description	Order Code	Flow dm ³ /s	Max bar	Min temp °C	Max temp °C	Height mm	Width mm	Depth mm	Weight kg
1/2	Solenoid operated (not included)	P3XTA14SCN0000	80	16	-10	60	144	62	62	0.75
1/2	24VDC 22mm coil	P3XTA14SCNB2CN	80	10	-10	60	174	88	62	0.75
1/2	24VDC 30mm coil	P3XTA14SCNA2CN	80	16	-10	60	174	88	62	0.75
1/2	Air pilot operated	P3XTA14PPN	80	16	-10	60	127.5	62	62	0.75
3/4	Solenoid operated (not included)	P3XTA16SCN0000	88	16	-10	60	144	62	62	0.75
3/4	24VDC 22mm coil	P3XTA16SCNB2CN	88	10	-10	60	174	88	62	0.75
3/4	24VDC 30mm coil	P3XTA16SCNA2CN	88	16	-10	60	174	88	62	0.75
3/4	Air pilot operated	P3XTA16PPN	88	16	-10	60	127.5	62	62	0.75

Technical Information

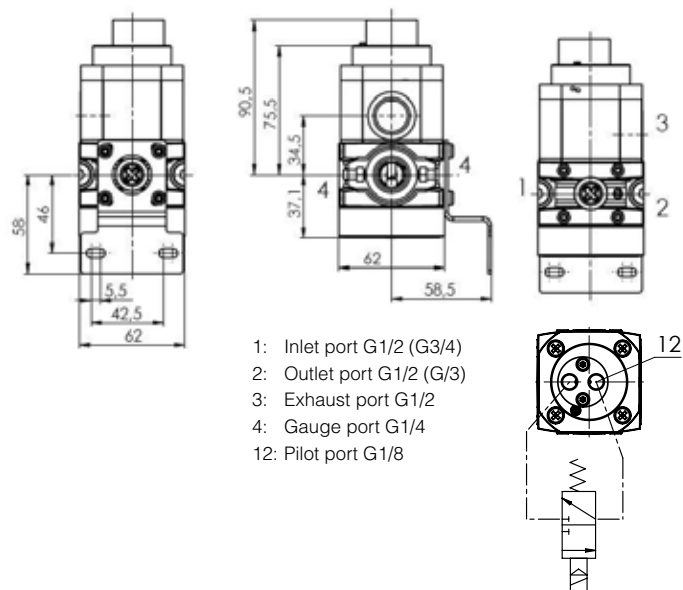
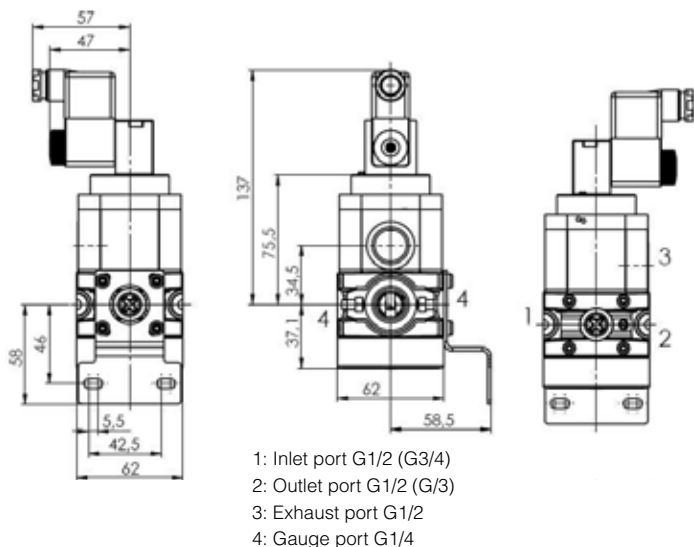
Fluid:	Compressed air
Maximum pressure Solenoid operated 22mm coil:	10 bar
Maximum pressure Solenoid operated 30mm coil:	16 bar
Minimum operating pressure:	2 bar
Temperature range* Solenoid operated:	-10° to + 60° C
Temperature range* Air Pilot operated:	-10° to + 60° C
Air Pilot port:	1/8"
Exhaust port:	1/2"
Gauge port:	1/4"
Typical flow with 6.3bar inlet pressure and 1 bar pressure drop:	1/2" 80 dm ³ /s
	3/4" 80 dm ³ /s

* Air supply must be dry enough to avoid ice formation at temperatures below +2°C
 Snap pressure: Full flow when downstream pressure reaches 50% of the inlet pressure

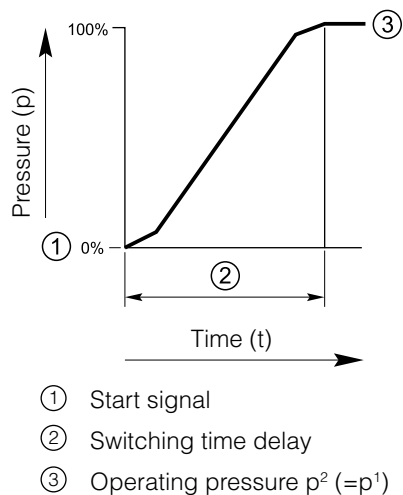
Material Specification

Body:	Aluminium
Body cover:	ABS
Valve:	Brass / NBR composite
Pilot valve booster:	Aluminium
Seals:	Nitrile NBR

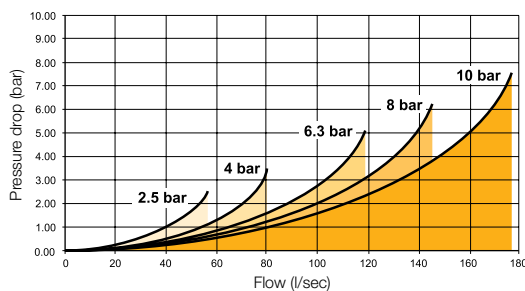
Dimensions (mm)



Flow characteristics



Soft Start Dump Valve 24v 1/2" Port



Pilot Regulator 1/2" Port

