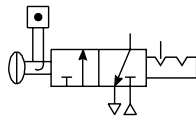


**Modular Slide Valve**

**Symbol**



- Padlockable.
- When the inlet pressure is turned off the downstream vents through the exhaust port.

P3X Series Slide Valves provide shut off line pressure to prevent unauthorised adjustment.

**Options:**

<b>P 3 X</b>	<b>V A</b>			<b>LS N</b>
BSPP (G)	<b>1</b>	G1/2	<b>4</b>	
NPT *	<b>9</b>	G3/4	<b>6</b>	

\* NPT ports on request (1/2" size only)

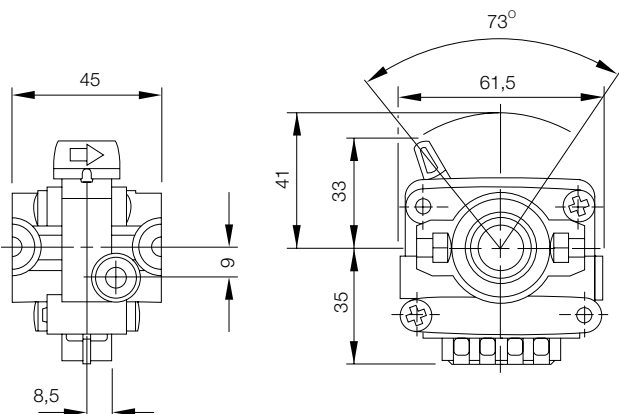
**Technical Information**

Operating Temperature:	-10°C to +60°C	
Maximum Supply Pressure:	16 bar	
Weight (g):	1/2	300g
	3/4	300g

**Material specification:**

Body:	High tech polymer
Handle:	Polyamide
Seals:	Nitrile NBR
Exhaust muffler:	Sintered bronze

**Dimensions (mm)**



**Modular Manifold**



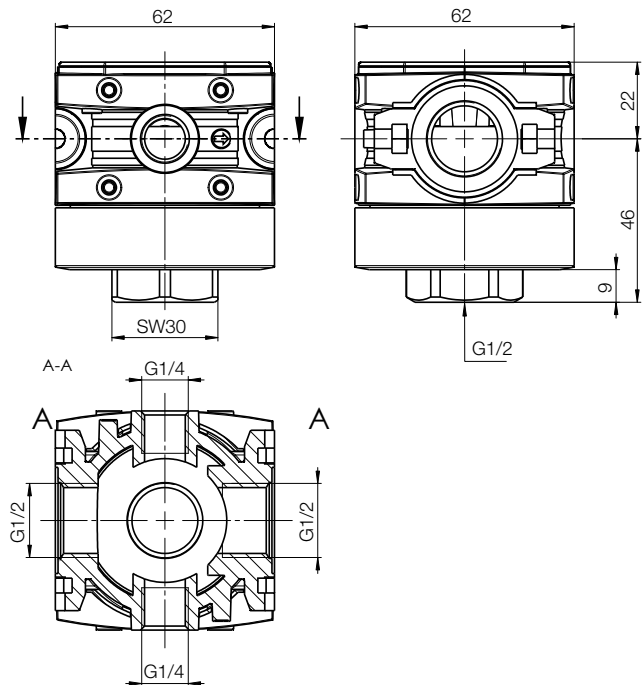
P3X Series Manifolds, provide up to 2 extra outlet ports, they may be assembled at any position in a combination e.g. before the lubricator to provide oil free take off or at the end of a combination to provide extra outlet ports.

Description	Order code BSPP	Order code NPT	Weight (g)
G1/2"	<b>P3XMA1V0N</b>	<b>P3XMA9V0N</b>	170
G3/4"	<b>P3XMA160N</b>		170

**Material specification:**

Body:	High tech polymer
Manifold Cover:	ABS

**Dimensions (mm)**



Inlet port	Bottom	Front and Back
1/2	1/2"	1/4"
3/4	3/4"	1/4"