

**Coalescing Filter**



- Integral 1/2 or 3/4 ports
- Removes liquid aerosols and sub micron particles
- Oil free air for critical applications, such as air gauging, pneumatic instrumentation and control

**Note:** To optimise the life of the coalescing element, it is advisable to install a P3XFA pre-filter with a 5 micron element upstream of the coalescing filter.

**Options:**

<b>P 3 X F A</b>	□	□	□	□	<b>G</b>	□	<b>N</b>										
<table border="1" style="width: 100%; border-collapse: collapse;"> <tr> <td style="padding: 2px;">BSPP (G)</td> <td style="text-align: center; padding: 2px;"><b>1</b></td> </tr> <tr> <td style="padding: 2px;">NPT *</td> <td style="text-align: center; padding: 2px;"><b>9</b></td> </tr> </table>	BSPP (G)	<b>1</b>	NPT *	<b>9</b>	<table border="1" style="width: 100%; border-collapse: collapse;"> <tr> <td style="padding: 2px;">1/2</td> <td style="text-align: center; padding: 2px;"><b>4</b></td> </tr> <tr> <td style="padding: 2px;">3/4</td> <td style="text-align: center; padding: 2px;"><b>6</b></td> </tr> </table>	1/2	<b>4</b>	3/4	<b>6</b>	<table border="1" style="width: 100%; border-collapse: collapse;"> <tr> <td style="padding: 2px;">0.01 µm element with DPI standard</td> <td style="text-align: center; padding: 2px;"><b>D</b></td> </tr> </table>	0.01 µm element with DPI standard	<b>D</b>	<table border="1" style="width: 100%; border-collapse: collapse;"> <tr> <td style="padding: 2px;">Combined Manual/Semi Auto Drain</td> <td style="text-align: center; padding: 2px;"><b>C</b></td> </tr> <tr> <td style="padding: 2px;">Auto Drain</td> <td style="text-align: center; padding: 2px;"><b>A</b></td> </tr> </table>	Combined Manual/Semi Auto Drain	<b>C</b>	Auto Drain	<b>A</b>
BSPP (G)	<b>1</b>																
NPT *	<b>9</b>																
1/2	<b>4</b>																
3/4	<b>6</b>																
0.01 µm element with DPI standard	<b>D</b>																
Combined Manual/Semi Auto Drain	<b>C</b>																
Auto Drain	<b>A</b>																
<p>* NPT ports on request                      1/2" size only</p>																	

Port size	Description	Order Code	Flow dm <sup>3</sup> /s *	Max bar	Min temp °C	Max temp °C	Bowl capacity cm <sup>3</sup>	Height mm	Width mm	Depth mm	Weight g
1/2	Coalescing Filter 0.01µm, Combined manual/semi auto drain	<b>P3XFA14DGCN</b>	24	16	-10	60	60	217	62	62	320
1/2	Coalescing Filter 0.01µm, auto drain	<b>P3XFA14DGAN</b>	24	16	-10	60	60	217	62	62	320
3/4	Coalescing Filter 0.01µm, Combined manual/semi auto drain	<b>P3XFA16DGCN</b>	24	16	-10	60	60	217	62	62	320
3/4	Coalescing Filter 0.01µm, auto drain	<b>P3XFA16DGAN</b>	24	16	-10	60	60	217	62	62	320

\* flow with 6,3 bar inlet pressure and 0,2 pressure drop.

**Technical Information**

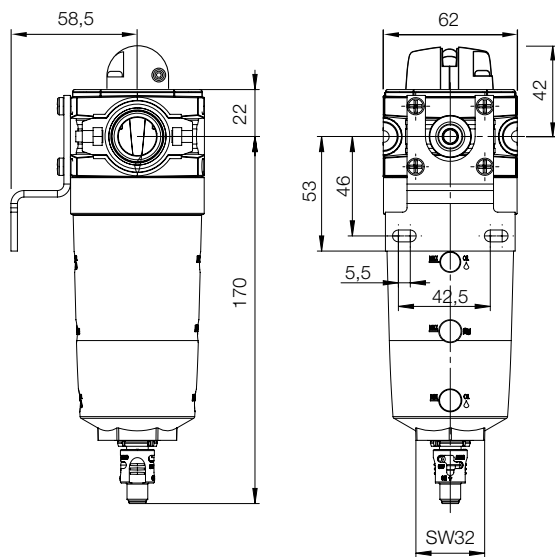
Fluid:	Compressed air
Maximum inlet pressure:	16 bar
Temperature range*:	-10°C to +60°C
Media specifications:	
Coalescing efficiency	(0.3 to 0.6 micron particles): 99.97%
Max. oil carryover (PPM w/w):	0.008 mg/m <sup>3</sup>
Typical flow element @ 6,3 bar inlet pressure and 0.2 bar pressure drop:	16 dm <sup>3</sup> /s
Manual / Semi-auto drain: Bowl pressure to close drain	0.8 bar
Auto drain: bowl pressure to close drain Operating range manual override facility	0.8 bar 0.8 to 16 bar
Bowl sump capacity:	60 cm <sup>3</sup>

\* Air supply must be dry enough to avoid ice formation at temperatures below +2°C

**Material Specification**

Body:	High tech polymer
Sight glass:	Polypropylene
Filter cover:	ABS
Coalescing element:	Borosilicate & Nano fibres
Top & bottom end cap:	Glass filled nylon - Black
Support cylinders:	Grade 430 stainless steel
Support media:	Polypropylene
Anti re-entrainment barrier:	Polyester
Ensapulate:	Epoxy resin / Hardener
Seals:	Nitrile NBR
Drains:	Manual / Semi-auto: Acetal Automatic: PA / Brass
Differential pressure indicator materials:	
Body:	Acetal
Internal parts:	Acetal
Spring:	Stainless steel
Seals:	Nitrile NBR
Screws:	Steel / zinc plated

**Dimensions (mm)**

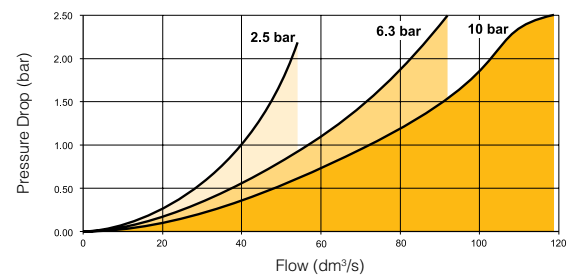


**Service kits**

Description	Order code
0.01 micron coalescing element kit	<b>P3XKA00ESC</b>
Bowl kit with combines manual/semi auto drain	<b>P3XKA00BSC</b>
Bowl kit with auto drain	<b>P3XKA00BSA</b>
Differential pressure indicator kit	<b>P3XKA00RQ</b>

**Flow characteristics**

**(1/2) 0.01µm Coalescing Filter Saturated**



**(3/4) 0.01µm Coalescing Filter Saturated**

