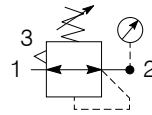


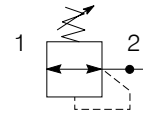
**Regulator**



**Symbols**



Self relieving regulator with gauge



Non relieving regulator

- Integral 1/2 or 3/4 ports
- Secondary pressure ranges 8 & 16 bar
- Rolling diaphragm for extended life
- Secondary aspiration plus rolling diaphragm provides quick response and accurate pressure regulation.
- Optional tamperproof regulator, up to x 3 padlocks
- Relieving & Non-relieving types
- Low temperature -40°C as standard

**Options:**

<b>P 3 X R A</b>	□	□	□	□	□	□	<b>N</b>
BSPP (G) <b>1</b>	1/2 <b>4</b>	Relieving <b>B</b>	Non rise - standard <b>N</b>	0 - 4 bar No Gauge <b>L</b>			
NPT * <b>9</b>	3/4 <b>6</b>	Non-relieving <b>N</b>	Tamperproof - Lockable <b>A</b>	0 - 8 bar No Gauge <b>N</b>			
				0 - 16 bar No Gauge <b>H</b>			
				0 - 4 bar Gauge <b>M</b>			
				0 - 8 bar Gauge <b>G</b>			
				0 - 16 bar Gauge <b>J</b>			

\* NPT ports on request  
 1/2" size only

Port size	Description	Order Code	Flow dm <sup>3</sup> /s *	Max bar	Min temp °C	Max temp °C	Height mm	Width mm	Depth mm	Weight g
1/2	8 bar relieving	<b>P3XRA14BNNN</b>	122	16	-40	60	150	62	62	360
1/2	8 bar relieving + pressure gauge	<b>P3XRA14BNGN</b>	122	16	-10	60	150	62	95	410
3/4	8 bar relieving	<b>P3XRA16BNNN</b>	134	16	-40	60	150	62	62	360
3/4	8 bar relieving + pressure gauge	<b>P3XRA16BNGN</b>	134	16	-10	60	150	62	95	410
1/2	8 bar relieving with tamperproof facility	<b>P3XRA14BANN</b>	122	16	-40	60	158	62	62	360
1/2	8 bar relieving with tamperproof facility + pressure gauge	<b>P3XRA14BAGN</b>	122	16	-10	60	158	62	95	410
3/4	8 bar relieving with tamperproof facility	<b>P3XRA16BANN</b>	134	16	-40	60	158	62	62	360
3/4	8 bar relieving with tamperproof facility + pressure gauge	<b>P3XRA16BAGN</b>	134	16	-10	60	158	62	95	410

\* flow with 10 bar inlet pressure, 6,3 bar set pressure and 1 bar pressure drop.  
 Tamperproof regulator will require lock kit (on opposite page) to lock regulator.

**Technical Information**

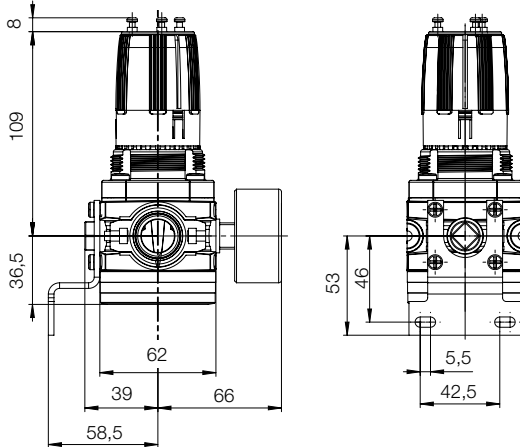
Fluid:	Compressed air	
Maximum inlet pressure:	16 bar	
Temperature range*:	-40°C to +60°C	
Typical flow with 10 bar inlet pressure, 6.3 bar set pressure and 1 bar pressure drop:	1/2"	122 dm <sup>3</sup> /s
	3/4"	134 dm <sup>3</sup> /s
Gauge port ( x 2 ):	1/4"	

\* Air supply must be dry enough to avoid ice formation at temperatures below +2°C

**Material Specification**

Body:	High tech polymer
Bonnet:	High tech polymer
Regulator cover:	ABS
Control Knob:	Polyamide
Valve:	Brass / Nitrile
Seals:	Nitrile NBR
Screws:	Stainless steel

**Dimensions (mm)**



**Service kits**

Description	Order code
Wall bracket - Stainless steel	<b>P3XKA00MW</b>
Panel mounting nut	<b>P3XKA00MM</b>
Key lock	<b>P3XKA00AS</b>
Diaphragm kit (relieving type)	<b>P3XKA00RR</b>
Diaphragm kit (non-relieving type)	<b>P3XKA00RN</b>

**Lockable Tamperproof Kit** (up to x 3 padlocks)

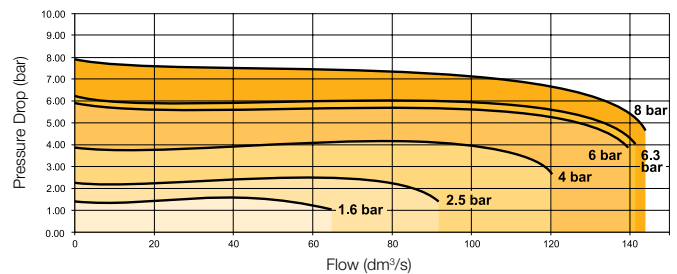
This facilitates the tamperproofing of the Regulator and Filter-Regulator units. (On request)



Order code
1 Padlock each
<b>P3XKA00AS</b>

**Flow characteristics**

**Regulation characteristics: (1/2)**



**Regulation characteristics: (3/4)**

