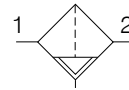


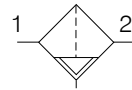
Filter



Symbols



Manual / Semi auto drain



Auto drain

- Integral 1/2 or 3/4" ports
- 2 stage filtration
- High efficiency 5µ particulate element as standard
- Excellent water removal efficiency
- Low temperature -40°C with combined manual/semi - auto drain as standard

Options:

P 3 X F A	□	□	□	G	□	N																		
<table border="1" style="border-collapse: collapse;"> <tr> <td>BSPP (G)</td> <td style="text-align: center;">1</td> </tr> <tr> <td>NPT *</td> <td style="text-align: center;">9</td> </tr> </table>	BSPP (G)	1	NPT *	9	<table border="1" style="border-collapse: collapse;"> <tr> <td>1/2</td> <td style="text-align: center;">4</td> </tr> <tr> <td>3/4</td> <td style="text-align: center;">6</td> </tr> </table>	1/2	4	3/4	6	<table border="1" style="border-collapse: collapse;"> <tr> <td>5 Micron Element Standard</td> <td style="text-align: center;">E</td> </tr> <tr> <td>40 Micron Element Optional</td> <td style="text-align: center;">G</td> </tr> <tr> <td>1 Micron Dust Filter</td> <td style="text-align: center;">2</td> </tr> </table>	5 Micron Element Standard	E	40 Micron Element Optional	G	1 Micron Dust Filter	2	<table border="1" style="border-collapse: collapse;"> <tr> <td>Combined Manual/Semi Auto Drain</td> <td style="text-align: center;">C</td> </tr> <tr> <td>Auto Drain</td> <td style="text-align: center;">A</td> </tr> </table>	Combined Manual/Semi Auto Drain	C	Auto Drain	A			
BSPP (G)	1																							
NPT *	9																							
1/2	4																							
3/4	6																							
5 Micron Element Standard	E																							
40 Micron Element Optional	G																							
1 Micron Dust Filter	2																							
Combined Manual/Semi Auto Drain	C																							
Auto Drain	A																							
<p>* NPT ports on request 1/2" size only</p>																								

Port size	Description	Order Code	Flow dm ³ /s *	Max bar	Min temp °C	Max temp °C	Bowl capacity cm ³	Height mm	Width mm	Depth mm	Weight g
1/2	Combined manual/semi auto drain	P3XFA14EGCN	55	16	-40	60	60	192	62	62	320
1/2	Auto drain	P3XFA14EGAN	55	16	-10	60	60	192	62	62	320
3/4	Combined manual/semi auto drain	P3XFA16EGCN	57	16	-40	60	60	192	62	62	320
3/4	Auto drain	P3XFA16EGAN	57	16	-10	60	60	192	62	62	320

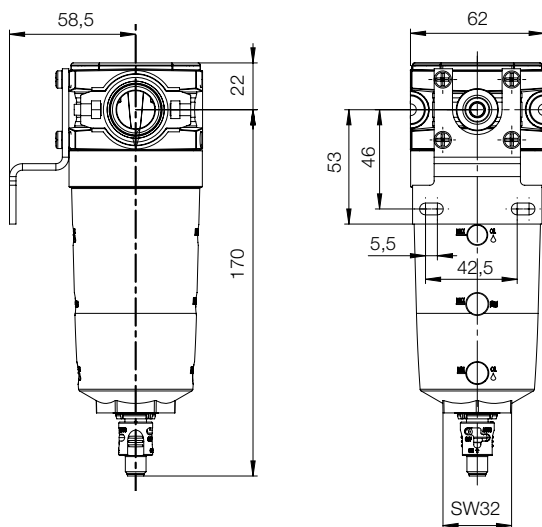
* flow with 6,3 bar inlet pressure and 0,5 pressure drop.

Technical Information

Fluid:	Compressed air
Maximum inlet pressure:	16 bar
Temperature range*:	
Auto drain:	-10°C to +60°C
Combined drain:	-40°C to +60°C
Particle removal:	1, 5 & 40 micron
Air quality:	Within ISO 8573-1 : 1991 Class 3 and 5 (particulates) Within ISO 8573-1 : 2001 Class 6 and 7 (particulates)
Typical flow with 5µm element 6,3 bar inlet pressure and 0.5 bar pressure drop:	1/2" size 55 dm ³ /s
Semi-auto drain: bowl pressure to close drain	0.8 bar
Auto drain: bowl pressure to close drain Operating range manual override facility	0.8 bar 0.8 to 16 bar
Bowl sump capacity:	60 cm ³

* Air supply must be dry enough to avoid ice formation at temperatures below +2°C

Dimensions (mm)



Service kits

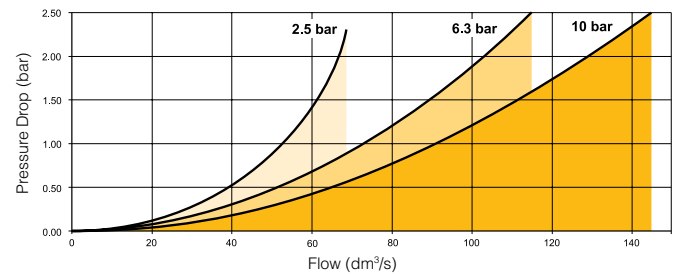
Description	Order code
5 micron element kit	P3XKA00ESE
40 micron element kit	P3XKA00ESG
Bowl kit with combines manual/semi auto drain	P3XKA00BSC
Bowl kit with auto drain	P3XKA00BSA
1 micron element kit	P3XKA00ES9

Material Specification

Body:	High tech polymer
Sight glass:	Polypropylene
Body cover:	ABS
Element:	Sintered P.E.
Seals:	Nitrile NBR
Drains:	Manual / Semi-auto: Acetal Automatic: PA / Brass

Flow characteristics

(1/2) 5 Micron Filter



(3/4) 5 Micron Filter

