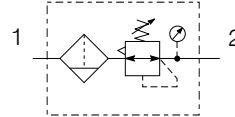


Filter-Regulator

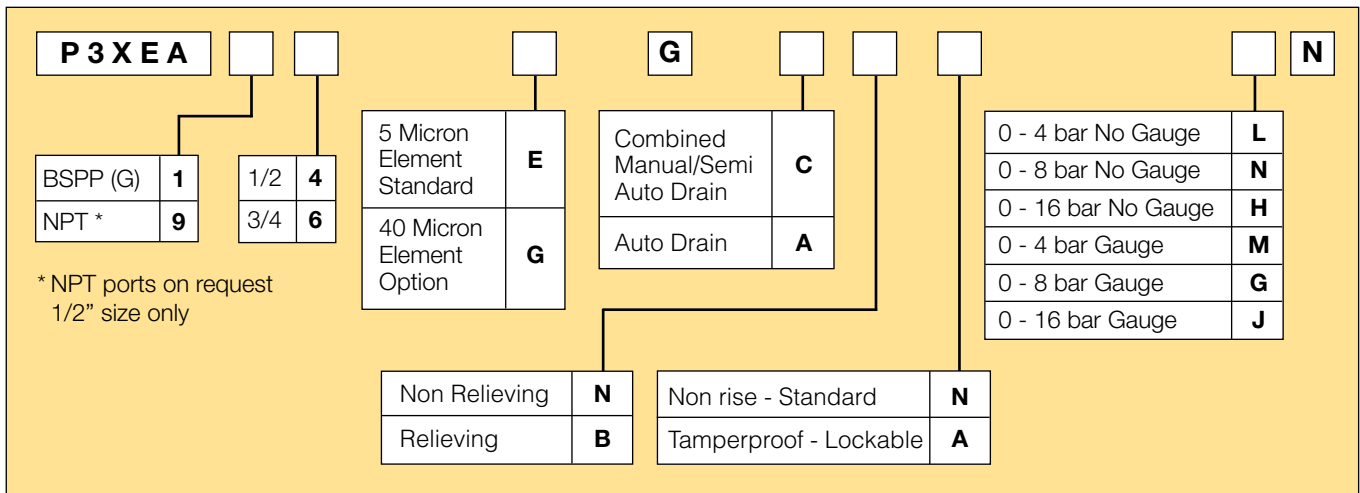


Symbols



- Integral 1/2 or 3/4 ports
- High efficiency 5 micron element as standard
- Excellent water removal efficiency
- Secondary pressure ranges 8 and 16 bar
- Rolling diaphragm for extended life
- Secondary aspiration plus balanced poppet provides quick response and accurate pressure regulation.
- Low temperature -40°C with combined manual/semi - auto drain as standard

Options:



| Port size | Description | Order Code | Flow dm ³ /s * | Max bar | Min temp °C | Max temp °C | Bowl capacity cm ³ | Height mm | Width mm | Depth mm | Weight g |
|-----------|---|-----------------------|---------------------------|---------|-------------|-------------|-------------------------------|-----------|----------|----------|----------|
| 1/2 | 8 bar, relieving, Combined manual/semi auto drain | P3XEA14EGCBNNN | 111 | 16 | -40 | 60 | 60 | 280 | 62 | 62 | 500 |
| 1/2 | 8 bar relieving, auto drain | P3XEA14EGABNNN | 111 | 16 | -10 | 60 | 60 | 280 | 62 | 62 | 500 |
| 1/2 | 8 bar, relieving, gauge Combined manual/semi auto drain | P3XEA14EGCBNGN | 111 | 16 | -10 | 60 | 60 | 280 | 62 | 62 | 550 |
| 1/2 | 8 bar relieving, gauge, auto drain | P3XEA14EGABNGN | 111 | 16 | -10 | 60 | 60 | 280 | 62 | 62 | 550 |
| 3/4 | 8 bar, relieving, Combined manual/semi auto drain | P3XEA16EGCBNNN | 113 | 16 | -40 | 60 | 60 | 280 | 62 | 62 | 500 |
| 3/4 | 8 bar relieving, auto drain | P3XEA16EGABNNN | 113 | 16 | -10 | 60 | 60 | 280 | 62 | 62 | 500 |
| 3/4 | 8 bar, relieving, gauge Combined manual/semi auto drain | P3XEA16EGCBNGN | 113 | 16 | -10 | 60 | 60 | 280 | 62 | 62 | 550 |
| 3/4 | 8 bar relieving, gauge, auto drain | P3XEA16EGABNGN | 113 | 16 | -10 | 60 | 60 | 280 | 62 | 62 | 550 |

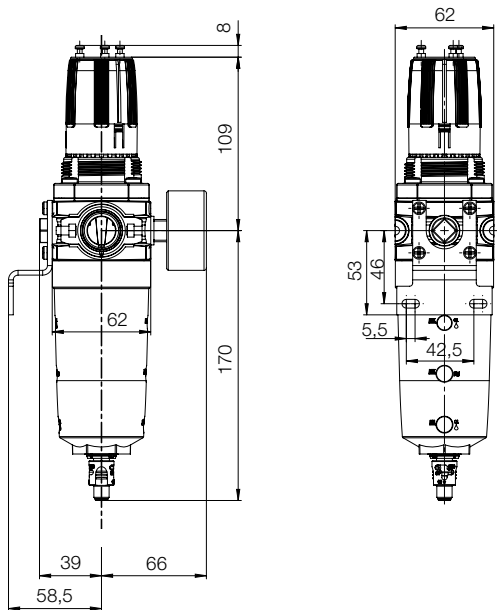
* flow with 10 bar inlet pressure, 6,3 bar set pressure and 1 bar pressure drop.

Technical Information

| | |
|---|--|
| Fluid: | Compressed air |
| Maximum inlet pressure: | 16 bar |
| Temperature range*: | |
| Auto drain: | -10°C to +60°C |
| Combined drain: | -40°C to +60°C |
| Particle removal: | 5 micron and 40 micron |
| Air quality: | Within ISO 8573-1 : 1991 Class 3 and 5 (particulates) Within ISO 8573-1 : 2001 Class 6 and 7 (particulates) |
| Typical flow with 10 bar inlet pressure 6,3 bar set pressure and 1 bar pressure drop 106 dm ³ /s | |
| Manual / Semi-auto drain: pressure to close drain | 0.8 bar |
| Auto drain: | |
| bowl pressure to close drain | 0.8 bar |
| Operating range manual override facility | 0.8 to 16 bar |
| Bowl sump capacity: | 60 cm ³ |
| Gauge ports (x 2): | 1/4" |

* Air supply must be dry enough to avoid ice formation at temperatures below +2°C

Dimensions (mm)



Service kits

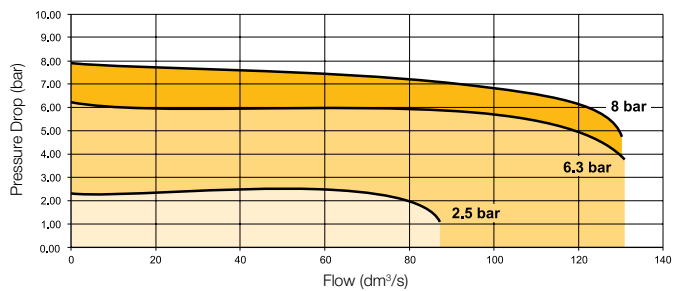
| Description | Order code |
|---|-------------------|
| 5 micron element kit | P3XKA00ESE |
| 40 micron element kit | P3XKA00ESG |
| Bowl kit with combined manual/semi auto drain | P3XKA00BSC |
| Bowl kit with auto drain | P3XKA00BSA |
| Tamper-proof knob kit (keylock) | P3XKA00AS |
| Diaphragm kit (relieving type) | P3XKA00RR |
| Diaphragm kit (non-relieving type) | P3XKA00RN |
| Wall bracket kit - Stainless steel | P3XKA00MW |
| Panel mount nut | P3XKA00MM |

Material Specification

| | |
|---------------|---|
| Body: | High tech polymer |
| Sight glass: | Polypropylene |
| Body cover: | ABS |
| Element: | Sintered P.E. |
| Seals: | Nitrile NBR |
| Drains: | Manual / Semi-auto: Acetal Automatic: PA / Brass |
| Bonnet: | High tech polymer |
| Control knob: | Polyamide |
| Valve: | Brass / Nitrile |
| Screws: | Stainless steel |

Flow characteristics

(1/2) 5 Micron Filter/Regulator



(3/4) 5 Micron Filter/Regulator

