

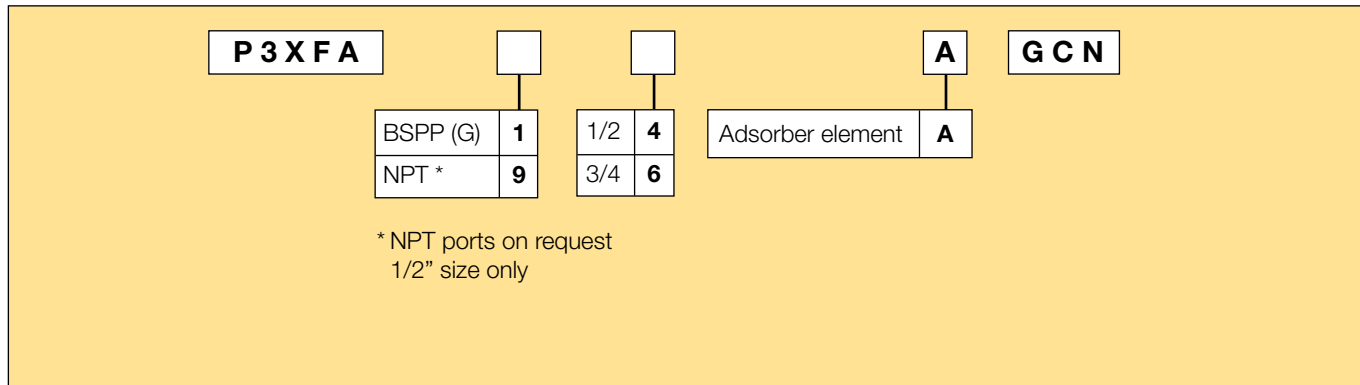
Adsorber Filter



- Integral 1/2 or 3/4 ports
- Adsorber activated carbon element removes oil vapours and most hydrocarbons

Note: To optimise the life of the adsorber element, it is advisable to install a P3X coalescing 0.01 µm filter upstream of the adsorber filter.

Options:



Port size	Description	Order Code	Flow dm ³ /s *	Max bar	Min temp °C	Max temp °C	Bowl capacity cm ³	Height mm	Width mm	Depth mm	Weight g
1/2	Adsorber Filter, Manual / Semi-auto drain	P3XFA14AGCN	18	16	-10	60	60	192	62	62	320
3/4	Adsorber Filter, Manual / Semi-auto drain	P3XFA16AGCN	18	16	-10	60	60	192	62	62	320

* flow with 6,3 bar inlet pressure and 0,2 pressure drop.

Technical Information

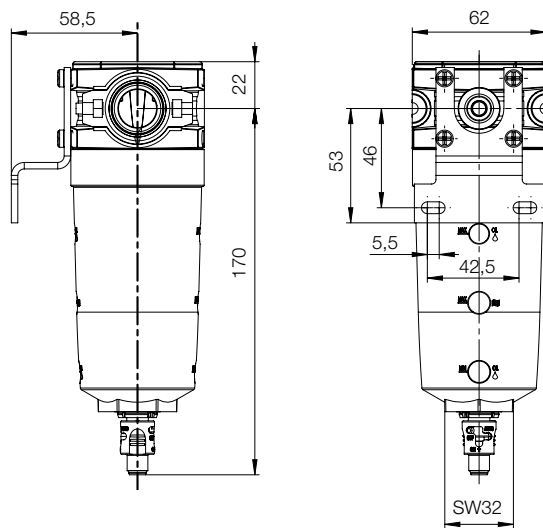
Fluid:	Compressed air	
Maximum inlet pressure:	16 bar	
Temperature range*:	-10°C to +60°C	
Typical flow at 6,3 bar inlet pressure and 0.2 bar pressure drop:	Adsorber	18 dm ³ /s
Manual / Semi-auto drain:	1/8" connection	
to close connection	0.8 bar	

* Air supply must be dry enough to avoid ice formation at temperatures below +2°C

Material Specification

Body:	High tech polymer
Sight glass:	Polypropylene
Filter cover:	ABS
Adsorber element:	Activated carbon
Top & bottom endcap:	Glass filled nylon
Support cylinders:	Grade 430 stainless steel
Support media:	100% spun polypropylene
Support sock:	Polyester needlefelt
Encapsulant:	Epoxy resin / Hardener
Seals:	Nitrile NBR
Drain: Manual / Semi-auto	Acetal

Dimensions (mm)

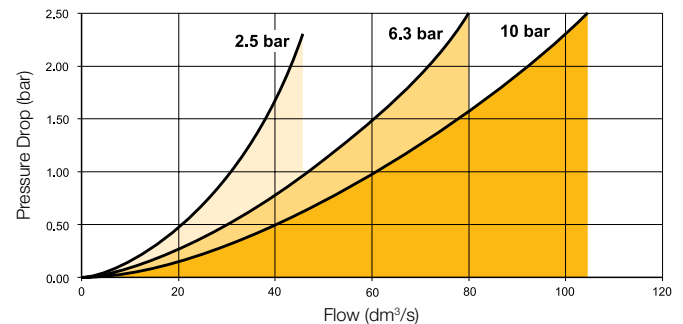


Service kits

Description	Order code
Adsorber element kit	P3XKA00ESA
Bowl kit with manual drain	P3XKA00BSC

Flow characteristics

(1/2) Adsorber Filter



(3/4) Adsorber Filter

