

Overview

Description	Page		
	Characteristics	Dimensions	Order instructions Type overview
Gauges	–	186, 187	186, 187
Exhaust filter-silencer	188	189	189
Pressure relief valves	190	190	190
Special oil for oil mist lubricators	191	–	191

Air preparation accessories

- *Gauges*
- *Exhaust filter-silencer*
- *Pressure relief valves*
- *Special oil*



Air preparation accessories

Gauges
 Ø 40, 50, 63 mm
 to DIN 16005
 Class 1.6

– with center rear connection
 (standard)

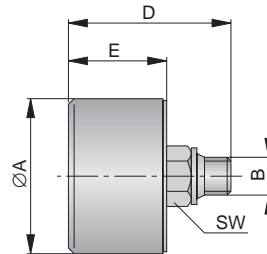
Dimensions,
 Order instructions

Material:
 Housing – black polymer
 Face – acrylic glass

Scale:
 Double scale in bar/psi

Delivery includes:
 1 gauge
 1 sealing ring

Gauge, center rear connection



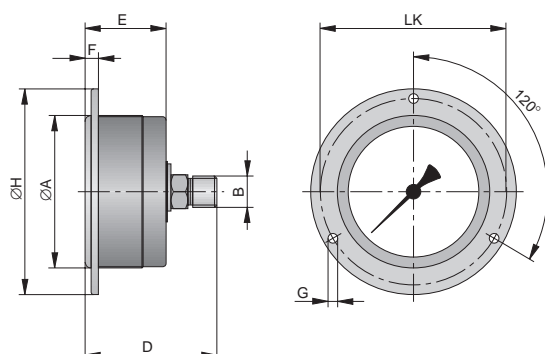
Order instructions, dial range and dimension table

Order instruction		Dial range (bar)	Dimensions				
Type	Order No.		ØA	B	D	E	SW
111.12.40.1.6	KZ 8894	0–1.6	41	G1/8	44	26	14
111.12.40.2.5	KZ 8810	0–2.5	41	G1/8	44	26	14
111.12.40.04	KZ 8811	0–4	41	G1/8	44	26	14
111.12.40.06	KZ 8812	0–6	41	G1/8	44	26	14
111.12.40.10	KZ 8813	0–10	41	G1/8	44	26	14
111.12.40.16	KZ 8814	0–16	41	G1/8	44	26	14
111.12.50.10	KZ 8815	0–10	49	G1/8	48	27	14
111.12.50.16	KZ 8816	0–16	49	G1/8	48	27	14
111.12.50.10	KG 8012	0–10	49	G1/4	48	27	14
111.12.50.16	KG 8013	0–16	49	G1/4	48	27	14
Version for use in EX areas (metal housing, glass face)							
111.12.40.10	KZ 8454	0–10	41	G1/8	44	26	14
111.12.50.10	KG 8025	0–10	49	G1/4	48	27	14



Dimensions in mm

Gauge with front ring for panel mounting, center rear connection



Order instructions, dial range and dimension table

Order instruction		Dial range (bar)	Dimensions								
Type	Order No.		ØA	B	D	E	F _{max.}	ØG	ØH	ØLK	SW
111.16.40.10	KZ8822	0-10	40	G1/8	45	27	7	3.6	61	51	14
111.16.50.10	KZ8823	0-10	50	G1/8	48	27	7	3.6	71	60	14

Air preparation accessories

Gauges
 Ø 40, 50, 63 mm
 to DIN 16005
 Class 2.5

- with center rear connection
- front ring for panel mounting

Dimensions, Order instructions

Material:
 Housing – black polymer
 Face – acrylic glass

Scale:
 Double scale in bar/psi

Delivery includes:
 1 gauge with front ring
 1 Sealing ring

Dimensions in mm

Air preparation accessories

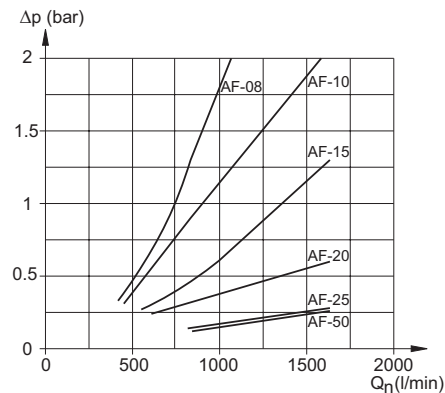
Exhaust filter
(silencer)
Series AF
G1/4 – G2

Characteristics

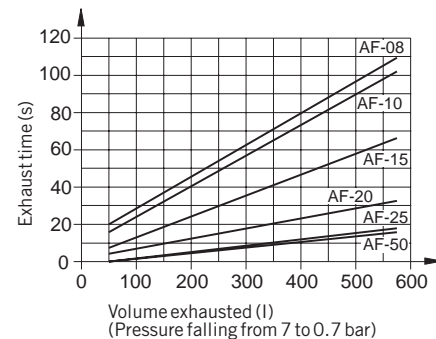
Pressures quoted as gauge pressure

Characteristics	Symbol	Unit	Description
System			3-stage coalescence filter
Type			AF-08 AF-10 AF-15 AF-20 AF-25 AF-32 AF-50
Port size			G1/4 G3/8 G1/2 G3/4 G1 G1 1/4 G2
Installation			Vertical, bowl at the bottom
Medium and ambient temperatures	T_{\min}	°C	+1.5
	T_{\max}	°C	+60
Condensate drainage			Manual
Weight (mass)		kg	0.3 0.3 0.6 0.6 1.1 1.1 1.17
Pneumatic characteristics			
Operating pressure range	p_{\min}	bar	0
	p_{\max}	bar	10
Pressure drop	Δp	bar	See diagram
Degree of filtration	η	%	99.999 solid particles and vapors (oil, water) >0.1 micron
Residual oil content		mg/m ³	0.01
Silencing compared with open exhaust		dB	20 20 20 25 35 35 35
Exhaust capacity		l/s	See diagram

Pressure drop

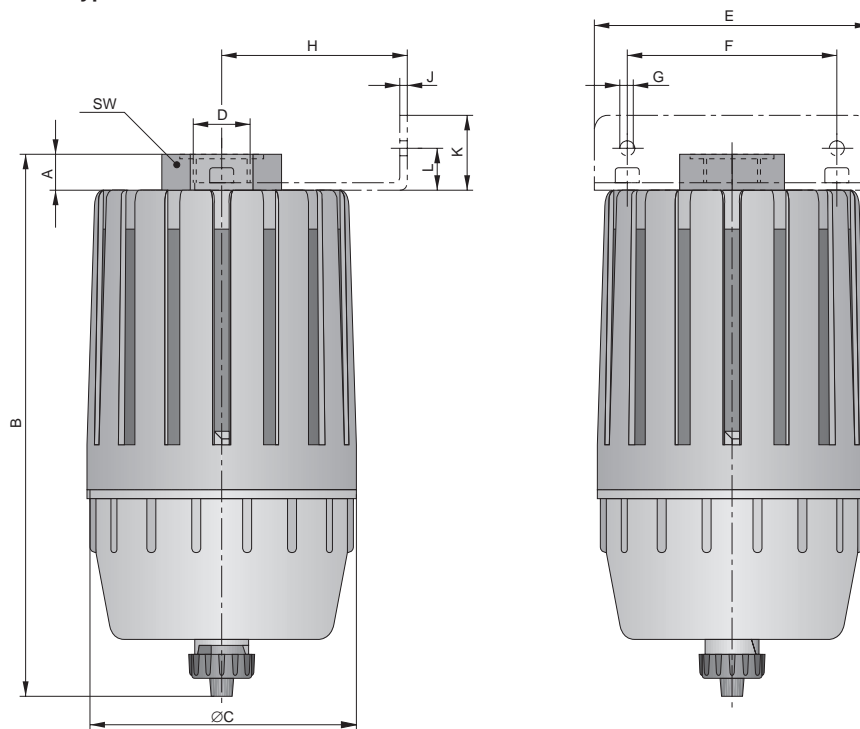


Exhaust capacity



Dimensions in mm

Exhaust filter – Type: AF-..



Air preparation accessories

Exhaust filter
(silencer)
Series AF
G1/4 – G2

Dimensions
Order instructions

Exhaust filter

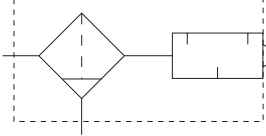
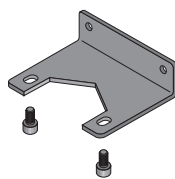
Exhaust filter-silencers clean the exhaust air of pneumatic equipment and reduce the exhaust noise created by sudden expansion.

- Very high oil filtration
- High exhaust capacity
- Low pressure drop
- Very good silencing

Dimension table

Type	A	B	C	D	E	F	G	H	J	K	L	SW
AF-08	6	130	77	G1/4	64	45	5.8	50	2.5	11	3	26
AF-10	6	130	77	G3/8	64	45	5.8	50	2.5	11	3	26
AF-15	12	180	90	G1/2	81	56.5	5.5	52	1.5	25	13	41
AF-20	12	180	90	G3/4	81	56.5	5.5	52	1.5	25	13	41
AF-25	15	254	110	G1	93	70	5.5	62	1.5	25	13	50
AF-32	30	270	110	G1 1/4	93	70	5.5	62	1.5	25	13	55
AF-50	73	311	110	G2	93	70	5.5	62	1.5	25	13	55

Order instructions

Description	Symbol	Port size	Order instructions	
			Type	Order No.
Exhaust filter		G1/4	AF-08	PB 35149-000
		G3/8	AF-10	PB 35249-000
		G1/2	AF-15	PB 35349-000
		G3/4	AF-20	PB 35449-000
		G1	AF-25	PB 35549-000
		G1 1/4	AF-32	PB 36949-000
		G2	AF-50	PB 35049-000
Mounting kit (bracket and screws)		To G1/4, G3/8	AF-08/10	KG6045
		To G1/2, G3/4	AF-15/20	KX9132
		To G1 – G2	AF-25/32/50	KX9133



Air preparation accessories

Pressure relief valve
Series USV
G1/8, G1/4

Pressure relief valve

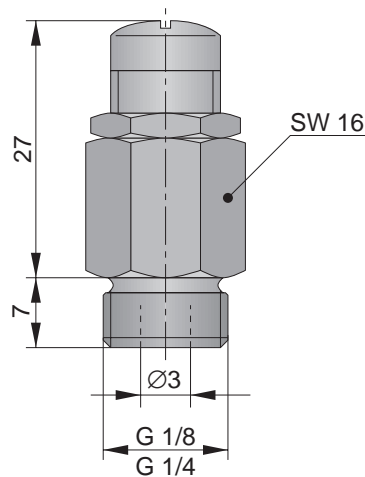
With adjustable opening pressure.

Opening pressure range:

1–4 bar
3–7 bar

Characteristics	Symbol	Unit	Description
System			Spring loaded poppet valve with adjustable opening pressure
Type			USV-1/8 USV-1/4
Port size			G1/8 G1/4
Installation			In any position
Temperature	T_{\min}	°C	0
	T_{\max}	°C	+90
Medium			Compressed air
Opening pressure		Bar	1–4 or 3–7 (adjustable)
Material			Brass, NBR

Pressure relief valve – Type: USV-..



Order instructions

Description	Port size	Order instructions	
		Type	Order No.
Pressure relief valve Opening pressure 1–4 bar	G1/8	USV-1/8	KY 4093
Pressure relief valve Opening pressure 3–7 bar	G1/8	USV-1/8	KY 4065
Pressure relief valve Opening pressure 1–4 bar	G1/4	USV-1/4	KY 4094
Pressure relief valve Opening pressure 3–7 bar	G1/4	USV-1/4	KY 4066



Dimensions in mm

Air preparation accessories

Special oil for oil mist lubricator

Viscosity VG32

Characteristics	Description
Use	For all HOERBIGER lubricator systems Specially tried and tested for compatibility with valve and cylinder seals as well as polycarbonate plastic bowls.
Viscosity	Viscosity class VG 32 in line with ISO 3448 5°C 250 mm ² /s (cst) 20°C 100 mm ² /s (cst) 40°C 32 mm ² /s (cst) When using below freezing point (0°C) it is necessary to consult us.
Contents	1 liter

Order No: KY8766



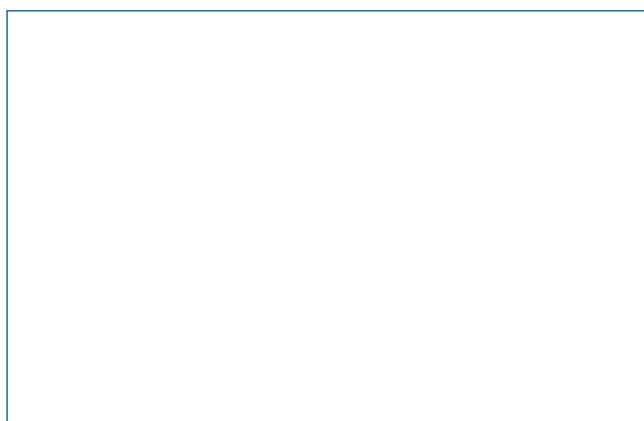




Your competent partner with a worldwide service and sales network.



AT	HOERBIGER-Origa Pneumatik GmbH • Dr. Alexander-Schärf-Straße 12 • AT-2700 Wiener Neustadt Tel +43 2622 26071-269 • Fax +43 2622 26071-266 • info-hoat-sales.pn@hoerbiger.com
AU	HOERBIGER Australia Pty. Ltd. • 17-19 David Street • AU-3175 Dandenong, Victoria Tel +61 3 9793 9488 • Fax +61 3 9706 8152 • info-hoau-sales@hoerbiger.com
CH	HOERBIGER-Origa AG • Industriestr. 30 • CH-8112 Otelfingen (Zurich) Tel +41 44 846 6860 • Fax +41 44 846 6870 • info-hoch-sales@hoerbiger.com
CN	HOERBIGER (Wuxi) Automation Technology CO., Ltd • Science & Technology Business Incubator, Anzhen Xidong Park, Xishan EDZ • Wuxi 214105, P.R.China Tel +86 510 8520 3468 • Fax +86 510 8520 3498 • info-wuxi@hoerbiger.com
FR	HOERBIGER Origa SAS • 9 Avenue du Québec • FR-91978 Courtaboeuf Cedex Tel +33 1 69 29 22 00 • Fax +33 1 69 29 22 10 • info-hofr-sales@hoerbiger.com
GB	HOERBIGER-Origa Ltd. • Unit 12 Brunel Court • Waterwells Business Park • Gloucester GL2 2AL, UK Tel +44 8700 600655 • Fax +44 8700 600656 • info-hogb-sales@hoerbiger.com
IT	HOERBIGER Origa SRL • S.P. 14 Rivoltana, 35 int. 4 • IT-20096 Pioltello Mi Tel +39 02 92 16 65 53 • Fax +39 02 92 16 67 77 • info-hoit-sales@hoerbiger.com
NL	HOERBIGER-Origa B.V. • Plaza 11C • NL-4782 SL Moerdijk Tel +31 168 356 600 • Fax +31 168 356 601 • info-honl-sales@hoerbiger.com
NO	HOERBIGER Origa AS • Postboks 2173 Strø msØ • NO-3003 Drammen Tel +47 3 288 08 40 • Fax +47 3 282 83 20 • info-hose-sales@hoerbiger.com
MY	HOERBIGER-Origa Sdn Bhd • No. 10 & 12 Lorong IKS Juru 3 • MY-14100 Juru, Simpang Ampat, Penang Tel +60 4 508 10 11 • Fax +60 4 508 21 22 • info-hosg-sales@hoerbiger.com
SE	HOERBIGER-Origa AB • Kungsgatan 14, Box 67 • SE-73622 Kungsör Tel +46 227 411 00 • Fax +46 227 411 29 • info-hose-sales@hoerbiger.com
US	HOERBIGER-Origa Corporation • 100 West Lake Drive • IL-60139 Glendale Heights, Illinois, USA Tel +1 630 871 830-0 • Fax +1 630 871 1515 • info-hous-sales@hoerbiger.com



HOERBIGER-Origa GmbH
Industriestr. 8
70794 Filderstadt, Germany
Tel +49 7158 17030
Fax +49 7158 64870
info-hode-sales@hoerbiger.com

Hotline – DE:
01805 432 666

www.hoerbiger.com