

Manually-Operated Valves



Manually-operated provide a significant reduction in the time needed to work on pneumatic circuits and isolate the circuit when the system has to be switched frequently.

Ø metric:
4 to 8 mm

Technical Characteristics

- **Compatible Fluids:** Compressed air
- **Working Pressure:** 0 to 10 bar
Model 0669: 0 to 16 bar
- **Working Temperature:** -10°C to +80°C
Model 0669: -5°C to +70°C

Advantages

Manual switch-operated valves:

- 2 models:
 - 3/2: opening, closing, venting
 - 2/2: opening, closing
- Can be positioned through 360°

Manual switch-operated valves:

- Uni-directional use ensures the downstream circuit is vented
- Identification of the venting system by the colour (red)

Component Materials

Silicone-free

Seals: NBR

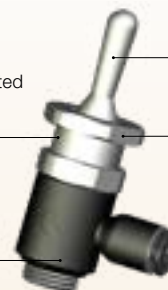
Bolt:
Manual switch-operated valve: nickel-plated brass with seal
Sleeve valve: nickel-plated brass

Lever:
nickel-plated brass

locking nut:
nickel-plated brass

Body:

Manual switch-operated valve: technical polymer
Sleeve valve: nickel-plated brass



Regulations

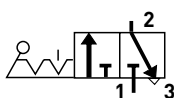
• RoHS

• REACH

• PED

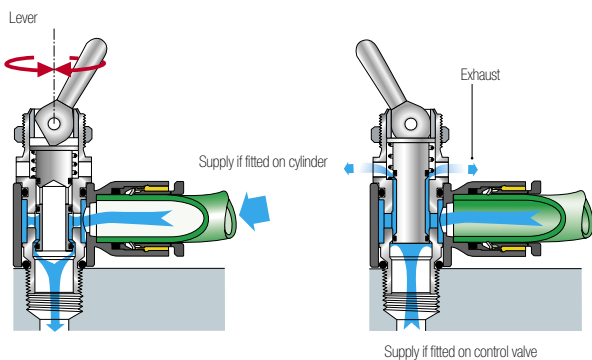
Operation

Switch-Operated Valves

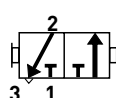


Open

Closed

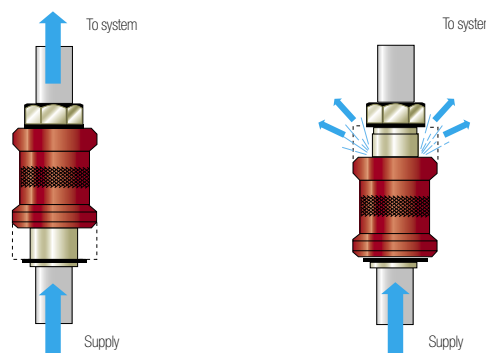


Sleeve Valves



Open: downstream supply

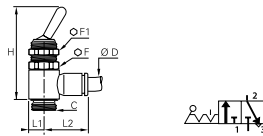
Closed: downstream exhaust



Manually-Operated Valves

7800 3/2 Manual Switch-Operated Valve, Supply, Male BSPP and Metric Thread

Technical polymer, Nickel-plated brass, NBR

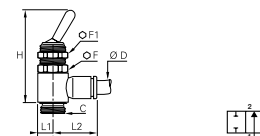


ØD	C		F	F1	H	L1	L2	Kg
4	M5x0.8	7800 04 19	14	14	55	7	18.5	0.032
	G1/8	7800 04 10	14	14	43	7	18.5	0.023
6	M5x0.8	7800 06 19	14	14	55	7	18.5	0.032
	G1/8	7800 06 10	14	14	43	7	20	0.023
8	G1/4	7800 06 13	17	14	50.5	9	22	0.048
	G1/8	7800 08 10	14	14	43	7	25	0.024
	G1/4	7800 08 13	17	14	50.5	9	27	0.049

For part numbers 7800 04 19 and 7800 06 19, adaptor sealing is effected by a flat PTFE seal and tightening torque is maximum 0.16 daN.m.

7802 2/2 Manual Switch-Operated Valve, Male BSPP Thread

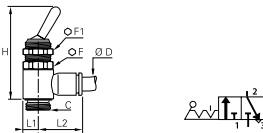
Technical polymer, Nickel-plated brass, NBR



ØD	C		F	F1	H	L1	L2	Kg
4	G1/8	7802 04 10	14	14	43	7	18.5	0.023
	G1/8	7802 06 10	14	14	43	7	20	0.024
6	G1/4	7802 06 13	17	14	50.5	9	22	0.051
	G1/8	7802 08 10	14	14	43	7	25	0.025
	G1/4	7802 08 13	17	14	50.5	9	27	0.052

7801 3/2 Manual Switch-Operated Valve, Control, Male BSPP Thread

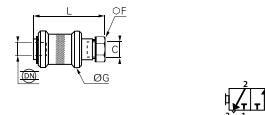
Technical polymer, Nickel-plated brass, NBR



ØD	C		F	F1	H	L1	L2	Kg
4	G1/8	7801 04 10	14	14	43	7	18.5	0.023
	G1/8	7801 06 10	14	14	43	7	20	0.023
6	G1/4	7801 06 13	17	14	50.5	9	22	0.050
	G1/8	7801 08 10	14	14	43	7	25	0.026

0669 3/2 Sleeve Valve, Female BSPP and Metric Thread

Nickel-plated brass, NBR



DN	C		F	G	L	Kg
2.5	M5x0.8	0669 02 19	10	14	30.5	0.012
4	G1/8	0669 04 10	14	25	48	0.050
7	G1/4	0669 07 13	19	30	58	0.096
10	G3/8	0669 10 17	22	35	68	0.154
14	G1/2	0669 14 21	27	40	75	0.210
19	G3/4	0669 19 27	32	50	83	0.330