

Contents

Version	Port size	Page	
		Dimension Table	Order Instructions
P-Manifolds	G1/8	92	92
	G1/4	93	93
	G1/2	94	94
RPS-Manifolds	G1/8	95	95
	G1/4	95	95

**P- and RPS-
Supply
Manifolds**

for directional valves

S9-G1/8

S9-G1/4



P-Supply Manifold Series PLK, PL

for directional valves Series S9-G1/8

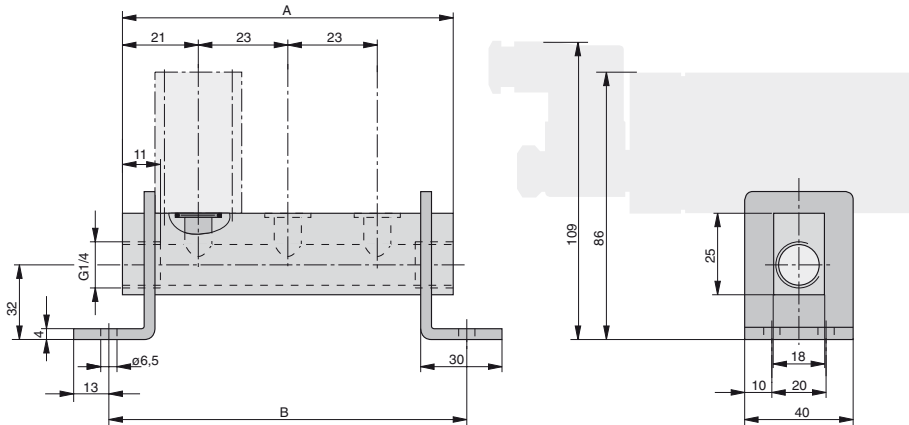
P-supply manifolds reduce and simplify tubing. They allow a clear, space-saving design. 3/2, 5/2 and 5/3 Way Valves with different types of actuation can be mounted in groups of 2-10.

Die Usage of Magnet-Impulse Valves is possible only with P-Manifold Type PL-...

- The delivery includes:**
P-Manifold
Mounting bracket
Mounting Screws
O-Rings

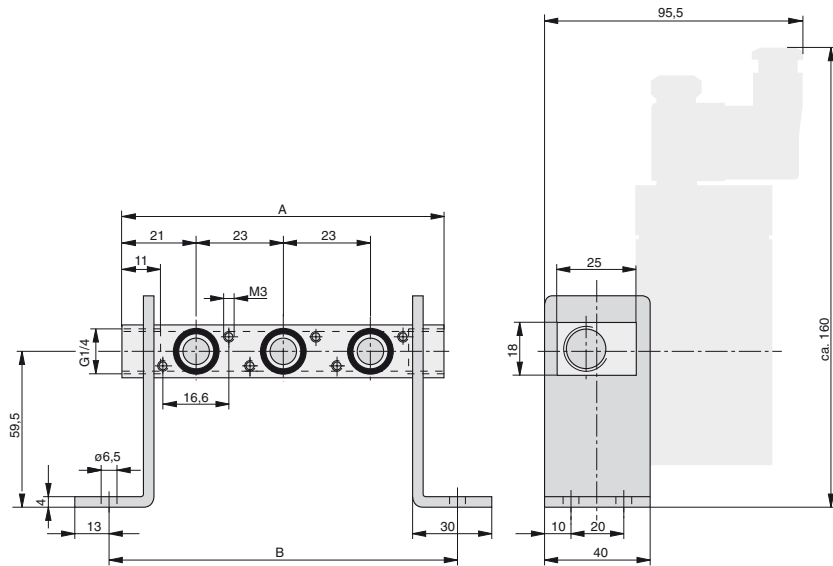
Material	
Description	Material
P-Manifold	Al anodized
Mounting bracket	Steel passivated
Screws	Galvanized steel
O-Ring	NBR

P-Supply Manifold with short mounting brackets Type: PLK-1/8-..



Drawing shows: PLK-1/8-3

P-Manifold with long mounting brackets Type: PL-1/8-..



Drawing shows: PL-1/8-3



Overview for directional valves see page 70-77

Dimensions in mm

Dimension Table (mm)

Type	Number of Valves	A	B
PLK-1/8-2	2	65	79
PL-1/8-2	2	65	79
PLK-1/8-3	3	88	102
PL-1/8-3	3	88	102
PLK-1/8-4	4	111	125
PL-1/8-4	4	111	125
PLK-1/8-5	5	134	148
PL-1/8-5	5	134	148
PLK-1/8-6	6	157	171
PL-1/8-6	6	157	171
PLK-1/8-7	7	180	194
PL-1/8-7	7	180	194
PLK-1/8-8	8	203	217
PL-1/8-8	8	203	217
PLK-1/8-9	9	226	240
PL-1/8-9	9	226	240
PLK-1/8-10	10	249	263
PL-1/8-10	10	249	263

Order Instructions and Weight

Order Ins- Type	Order No.	Number of Valves	Consisting of				Weight (kg)
			Manifold	Bracket	Screws	O-Ring	
PLK-1/8-2	PD 37174-0002	2	1	2	4	2	0.28
PL-1/8-2	PD 32763-0002	2	1	2	4	2	0.28
PLK-1/8-3	PD 37174-0003	3	1	2	6	3	0.31
PL-1/8-3	PD 32763-0003	3	1	2	6	3	0.31
PLK-1/8-4	PD 37174-0004	4	1	2	8	4	0.34
PL-1/8-4	PD 32763-0004	4	1	2	8	4	0.34
PLK-1/8-5	PD 37174-0005	5	1	2	10	5	0.37
PL-1/8-5	PD 32763-0005	5	1	2	10	5	0.37
PLK-1/8-6	PD 37174-0006	6	1	2	12	6	0.40
PL-1/8-6	PD 32763-0006	6	1	2	12	6	0.40
PLK-1/8-7	PD 37174-0007	7	1	2	14	7	0.43
PL-1/8-7	PD 32763-0007	7	1	2	14	7	0.43
PLK-1/8-8	PD 37174-0008	8	1	2	16	8	0.47
PL-1/8-8	PD 32763-0008	8	1	2	16	8	0.47
PLK-1/8-9	PD 37174-0009	9	1	2	18	9	0.50
PL-1/8-9	PD 32763-0009	9	1	2	18	9	0.50
PLK-1/8-10	PD 37174-0010	10	1	2	20	10	0.53
PL-1/8-10	PD 32763-0010	10	1	2	20	10	0.53

Accessories

Description	Order No.
Cover plate completely	PD 34694
Flow divider	PD 42483

P-Supply Manifolds Series PLK, PL

for directional valves Series S9-G1/4

P-supply manifolds reduce and simplify tubing. They allow a clear, space-saving design.

3/2, 5/2 and 5/3 Way Valves with different types of actuation can be mounted in groups of 2-10 item.

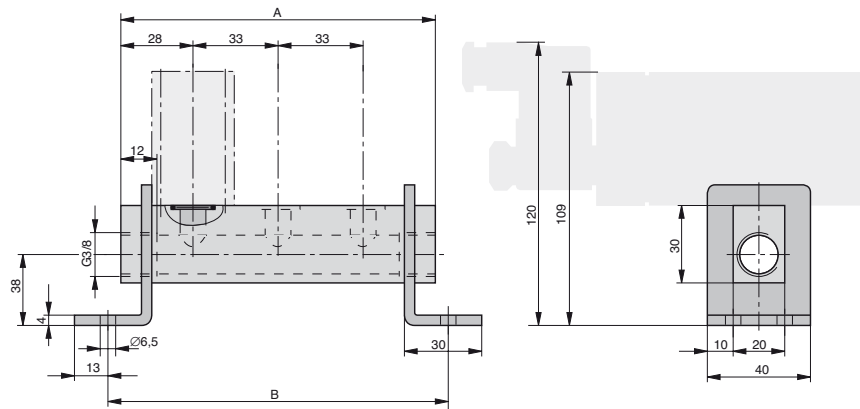
Die Usage of Magnet-Impulse Valves is possible only with P-Manifold Type PL...

The delivery includes:

- P-Manifold
- Mounting bracket
- Mounting Screws
- O-Rings

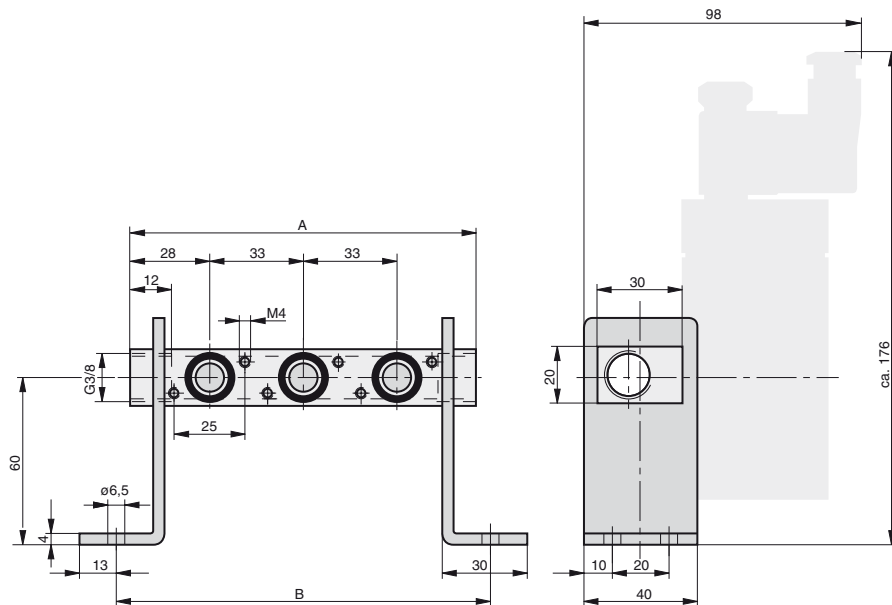
Material	
Description	Material
P-Manifold	Al anodized
Mounting bracket	Steel passivated
Screws	Galvanized steel
O-Ring	NBR

P-Manifold with short mounting brackets Type: PLK-1/4-...



Drawing shows: PLK-1/4-3

P-Manifold with long mounting brackets Type: PL-1/4-..



Drawing shows: PL-1/4-3



Overview for directional valves see page 70-77

Dimensions in mm

Dimension Table (mm)

Type	Number of valves	A	B
PLK-1/4-2	2	89	99
PL-1/4-2	2	89	99
PLK-1/4-3	3	122	132
PL-1/4-3	3	122	132
PLK-1/4-4	4	155	165
PL-1/4-4	4	155	165
PLK-1/4-5	5	188	198
PL-1/4-5	5	188	198
PLK-1/4-6	6	221	231
PL-1/4-6	6	221	231
PLK-1/4-7	7	254	264
PL-1/4-7	7	254	264
PLK-1/4-8	8	287	297
PL-1/4-8	8	287	297
PLK-1/4-9	9	320	330
PL-1/4-9	9	320	330
PLK-1/4-10	10	353	363
PL-1/4-10	10	353	363

Order Instructions and Weight

Order data		Number of valves	Consisting of				Weight (kg)
Type	Order No.		Manifold	Bracket	Ccrews	O-Ring	
PLK-1/4-2	PD 37175-0002	2	1	2	4	2	0.31
PL-1/4-2	PD 32765-0002	2	1	2	4	2	0.31
PLK-1/4-3	PD 37175-0003	3	1	2	6	3	0.35
PL-1/4-3	PD 32765-0003	3	1	2	6	3	0.35
PLK-1/4-4	PD 37175-0004	4	1	2	8	4	0.39
PL-1/4-4	PD 32765-0004	4	1	2	8	4	0.39
PLK-1/4-5	PD 37175-0005	5	1	2	10	5	0.43
PL-1/4-5	PD 32765-0005	5	1	2	10	5	0.43
PLK-1/4-6	PD 37175-0006	6	1	2	12	6	0.47
PL-1/4-6	PD 32765-0006	6	1	2	12	6	0.47
PLK-1/4-7	PD 37174-0007	7	1	2	14	7	0.51
PL-1/4-7	PD 32765-0007	7	1	2	14	7	0.51
PLK-1/4-8	PD 37175-0008	8	1	2	16	8	0.55
PL-1/4-8	PD 32765-0008	8	1	2	16	8	0.55
PLK-1/8-9	PD 37175-0009	9	1	2	18	9	0.59
PL-1/4-9	PD 32765-0009	9	1	2	18	9	0.59
PLK-1/4-10	PD 37175-0010	10	1	2	20	10	0.63
PL-1/4-10	PD 32765-0010	10	1	2	20	10	0.63

Accessories

Description	Order No.
Cover plate completely	PD 34695
Flow divider	PD 42516

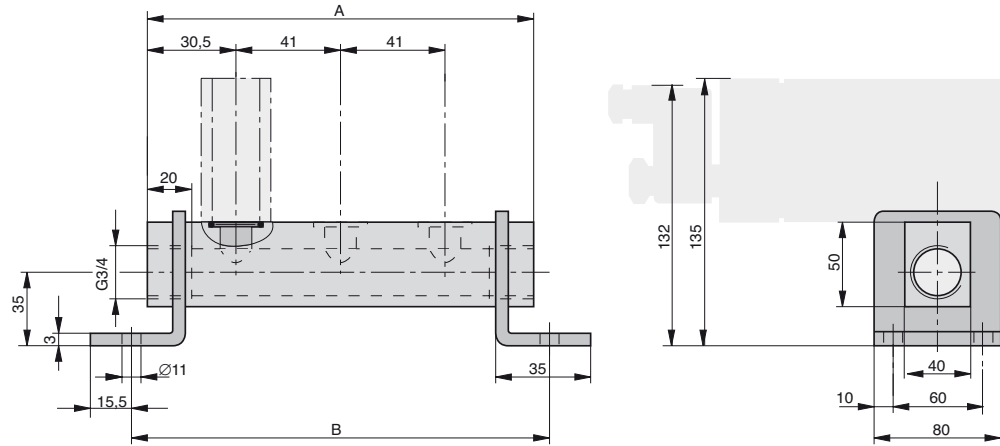
P-Manifolds Series PL

for way valves
Series S9-G1/2

P-supply manifolds reduce and simplify tubing. They allow a clear, space-saving design.
3/2, 5/2 and 5/3 Way Valves with different types of actuation can be mounted in groups of 2-4 item.

The delivery includes:
P-Manifold
Mounting bracket
Mounting Screws
O-Rings

P-Manifold with short mounting brackets – Type: PL-1/2-...



Drawing shows: PL-1/2-3

Material

Description	Material
P-Manifold	Al anodized
Mounting bracket	Steel chromanized
Screws	Galvanized steel
O-Ring	NBR

Dimension Table (mm)

Type	Number of valves	A	B
PL-1/2-2	2	102	122
PL-1/2-3	3	143	163
PL-1/2-4	4	184	204

Accessories

Description	Order No.
Cover plate completely	PD 39138

Order Instructions and Weight

Order data		Number of valves	consisting of				Weight (kg)
Type	Order No.		Manifold	Mounting bracket	Screws	O-Ring	
PL-1/2-2	PD 39016-0002	2	1	2	4	2	0.45
PL-1/2-3	PD 39016-0003	3	1	2	6	3	0.60
PL-1/2-4	PD 39016-0004	4	1	2	8	4	0.80

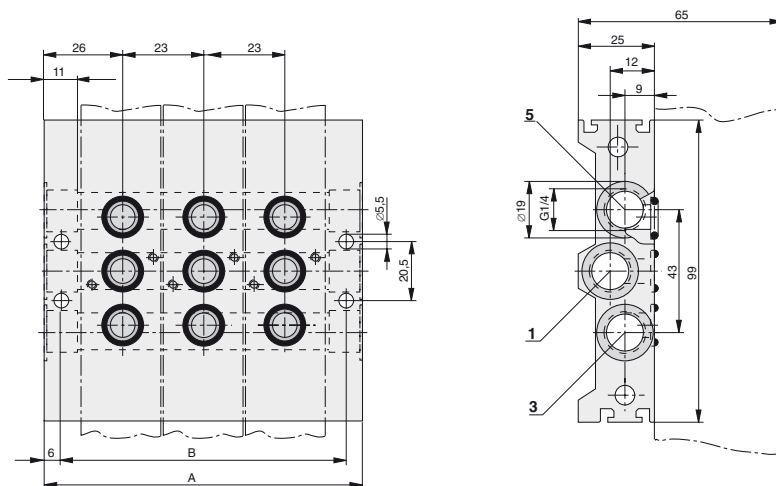


Overview for directional valves see page 70-77

Dimensions in mm

RPS-manifold – Type: RPSL-S9-1/8-

Dimension A and B see Tabelle



Drawing shows: RPSL-S9-1/8-3

Dimension Table (mm)

Type	Number of valves	A	B
RPSL-S9-1/8-2	2	75	63
RPSL-S9-1/8-3	3	98	86
RPSL-S9-1/8-4	4	121	109
RPSL-S9-1/8-5	5	144	132
RPSL-S9-1/8-6	6	167	155
RPSL-S9-1/8-7	7	190	178
RPSL-S9-1/8-8	8	213	201
RPSL-S9-1/8-9	9	236	224
RPSL-S9-1/8-10	10	259	247

Order Instructions and Weight

Order data		Number of valves	consisting of			Weight (kg)
Type	Order No.		Manifold	Screws	O-Ring	
RPSL-S9-1/8-2	PD 44813-0002	2	1	4	6	0.470
RPSL-S9-1/8-3	PD 44813-0003	3	1	6	9	0.570
RPSL-S9-1/8-4	PD 44813-0004	4	1	8	12	0.670
RPSL-S9-1/8-5	PD 44813-0005	5	1	10	15	0.770
RPSL-S9-1/8-6	PD 44813-0006	6	1	12	18	0.870
RPSL-S9-1/8-7	PD 44813-0007	7	1	14	21	0.970
RPSL-S9-1/8-8	PD 44813-0008	8	1	16	24	1.070
RPSL-S9-1/8-9	PD 44813-0009	9	1	18	27	1.170
RPSL-S9-1/8-10	PD 44813-0010	10	1	20	30	1.270

RPS-Manifolds Series RPSL

for directional valves Series S9-G1/8

RPS-supply manifolds reduce and simplify tubing. They allow a clear, space-saving design.

The RPS manifolds have a common compressed air supply (P) and common vent lines (R,S).

Valves can be mounted in groups of 2-10.

– RPS-Manifolds for more valves on request

The delivery includes:

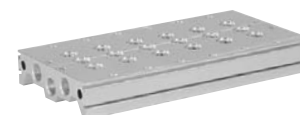
- RPS-supply manifold
- Mounting Screws
- O-Rings

Material

Description	Material
P-Manifold	Al anodized
Screws	Galvanized steel
O-Ring	NBR

Accessories

Description	Order No.
Cover strip completely G1/8	PD 32956
Flow divider G1/8	PD 42483



RPS-Manifolds Series RPSL

for directional valves
Series S9-G1/4

RPS-Supply manifolds reduce and simplify tubing. They allow a clear, space-saving design.
The RPS manifolds have a common compressed air supply (P) and common vent lines (R,S).

Valves can be mounted in groups of 2-10.
– RPS-Manifolds for more valves on request

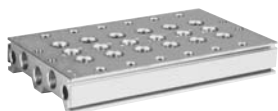
The delivery includes:
RPS-supply manifold
Mounting screws
O-Rings

Material

Description	Material
P-Manifold	Al anodized
Screws	Galvanized steel
O-Ring	NBR

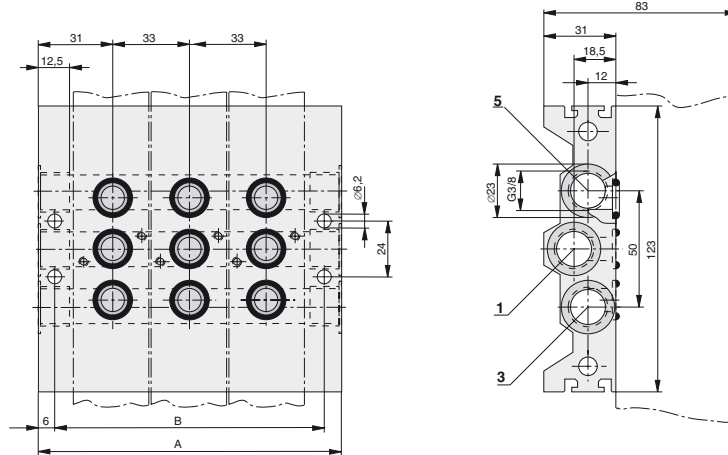
Accessories

Description	Order No.
Cover strip completely G1/4	PD 32957
Flow divider G1/4	PD 42483



RPS-Supply Manifold – Type: RPSL-S9-1/4-..

Dimension A and B see Tabelle



Drawing shows: RPSL-S9-1/4-3

Dimension Table (mm)

Type	Number of valves	A	B
RPSL-S9-1/4-2	2	95	83
RPSL-S9-1/4-3	3	128	116
RPSL-S9-1/4-4	4	161	149
RPSL-S9-1/4-5	5	194	182
RPSL-S9-1/4-6	6	227	215
RPSL-S9-1/4-7	7	260	248
RPSL-S9-1/4-8	8	293	281
RPSL-S9-1/4-9	9	326	314
RPSL-S9-1/4-10	10	359	347

Order Instructions and Weight

Order data		Number of valves	consisting of			Weight (kg)
Type	Order No.		Manifold	Screws	O-Ring	
RPSL-S9-1/4-2	PD 44814-0002	2	1	4	6	0.845
RPSL-S9-1/4-3	PD 44814-0003	3	1	6	9	1.045
RPSL-S9-1/4-4	PD 44814-0004	4	1	8	12	1.245
RPSL-S9-1/4-5	PD 44814-0005	5	1	10	15	1.445
RPSL-S9-1/4-6	PD 44814-0006	6	1	12	18	1.645
RPSL-S9-1/4-7	PD 44814-0007	7	1	14	21	1.845
RPSL-S9-1/4-8	PD 44814-0008	8	1	16	24	2.045
RPSL-S9-1/4-9	PD 44814-0009	9	1	18	27	2.245
RPSL-S9-1/4-10	PD 44814-0010	10	1	20	30	2.445

Overview for directional valves see page 70-77

Dimensions in mm