

# Air Preparation Units

airfit A15 series  
G1/2, G3/4

Specifications

Special solutions  
on request

## Specifications

Characteristics	Symbol	Unit	Air preparation unit, 2-piece with shut-off valve	Air preparation unit, 2-piece
Type			Consisting of shut-off valve, filter regulator and nano oil mist lubricator, pressure gauge and mounting bracket	Consisting of filter regulator and nano oil mist lubricator, pressure gauge and mounting bracket
Type			A15DVKL-1/2 A15DVKL-3/4	A15KL-1/2 A15KL-3/4
Materials				
- Housing			High-tech polymer	
- Plastic container			High-tech polymer with polypropylene insert	
- Membrane			NBR	NBR
- Standard seals			NBR	
Connection size (variant NPTF)			G1/2, G3/4 (NPT 1/2)	
Max. condensate volume		cm <sup>3</sup>	60	60
Pore size of filter insert		µm	30 or 5	30 or 5
Condensate draining			Manual, semi-automatic (with pressure release) or automatic (L)	
Mixture ratio		mg/m <sup>3</sup>	5 or 25 - 50	5 or 25 - 50
Max. oil fill level		cm <sup>3</sup>	90	90
Oil top-up			Manual, also possible during operation	
Installation position			Vertical, container downwards	
Medium and ambient temperature	Tmin Tmax	°C °C	0 (to -40 on request) 60	
Weight (mass)		kg	1.3	1.0
Pneumatic specifications				
Operating pressure range, input	p1 min p1 max	bar bar	0 16	
Operating pressure range, output	p2 min/ max	bar	0.3 to 8 (0.3 to 16 on request) 3)	
Max. flow rate	Qmax	l/min m <sup>3</sup> /h	3300 <sup>1)</sup> 198	3300 <sup>1)</sup> 198
Most favorable operating range for lubricator 2)	Qn	l/min m <sup>3</sup> /h	1850 111	1850 111

<sup>1)</sup> at  $p_1 = 8$  bar and  $p_2 = 6.3$  bar and  $\Delta p = 1$  bar

<sup>2)</sup> at 6 bar and 25 m/s flow rate

<sup>3)</sup> by using special control springs, the pressure in the specified p2 range can be adjusted accurately

<sup>4)</sup> at  $p_1 = 8$  bar and  $\Delta p = 1$  bar



\*) In order to obtain optimum atomization of the oil, viscosities  $\leq 32$  cSt in line with ISO 3448 (32 mm<sup>2</sup>/s at 40°C) are recommended.

Parker Origa compressed air oil VG15 — order number KG6140

	Combination device (filter regulator)	Filter water separator	Pressure regulator	Nano oil mist lubricator
	With cyclone system and filter insert, combined with membrane pressure regulator (spring tension controlled), with secondary ventilation, primary pressure compensation and quantity compensation, locking hand wheel	With cyclone system and filter insert	Membrane pressure regulator (spring tension controlled) with secondary ventilation, primary pressure compensation and quantity compensation, locking hand wheel	Nano oil mist lubricator with constant mixture ratio*)
	A15K-1/2 A15K-3/4	A15F-1/2 A15F-3/4	A15R-1/2 A15R-3/4	A15L-1/2 A15L-3/4
	NBR	-	- NBR	- NBR
	60	60	-	-
	30 or 5	30 or 5	-	-
	level-dependent]		-	-
	-	-	-	5 or 25 - 50
	-	-	-	90
	-	-	-	Manual, also possible during operation
			Any	Vertical, container downwards
	0.5	0.35	0.35	0.35
		-	0.3 to 8 (0.3 to 16 on request) <sup>3)</sup>	-
	5400 <sup>1)</sup> 324	7000 <sup>4)</sup> 420	5800 <sup>1)</sup> 348	7200 <sup>4)</sup> 432
	-	-	-	1850 111

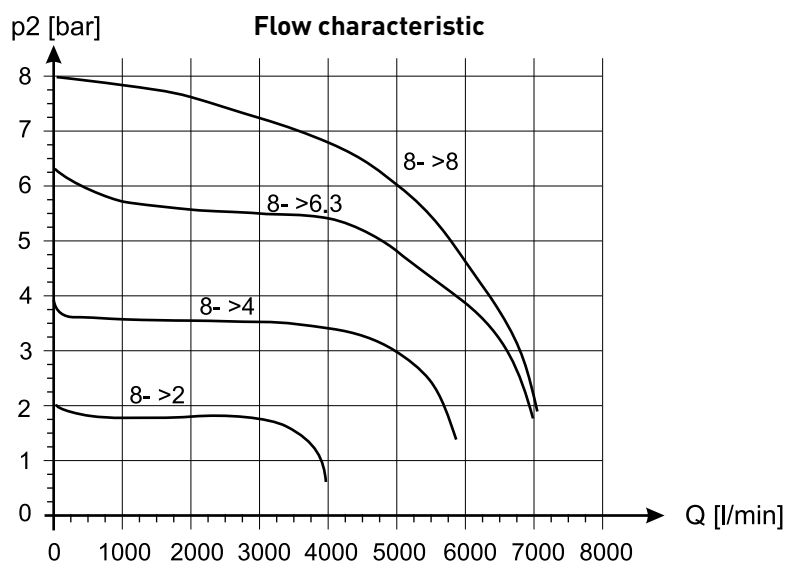


# Air Preparation Units

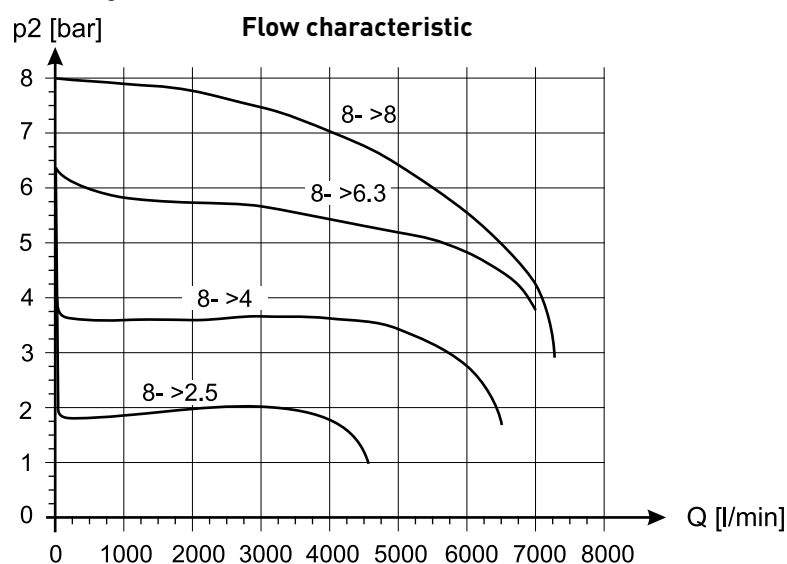
airfit A15 series  
G1/2, G3/4

Flow characteristics

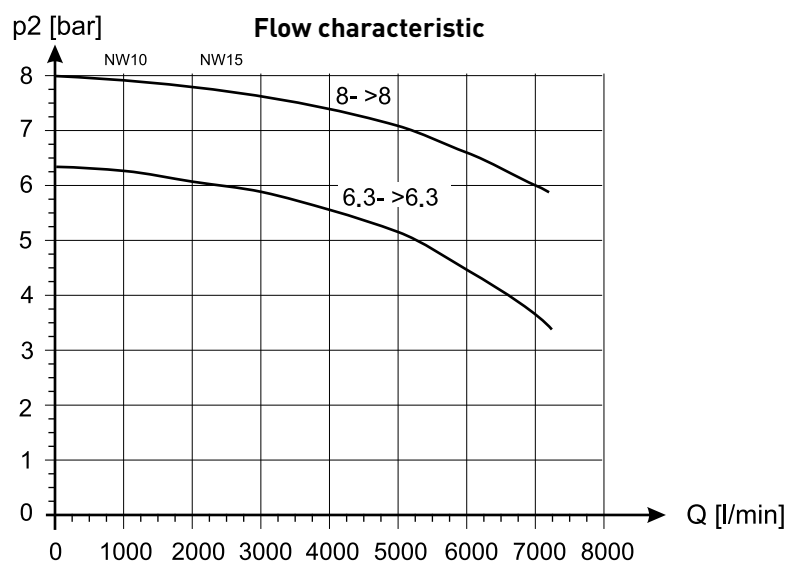
Air preparation unit, 2-piece — model A15KL-1/2



Combination device (filter regulator) — model A15K-1/2

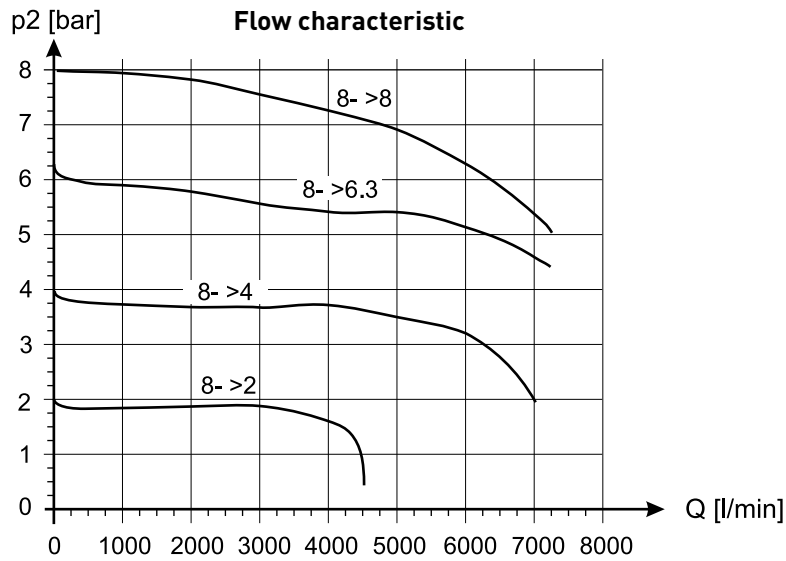


Filter water separator — model A15F-1/2



See page 5 for Specifications

**Pressure regulators — model A15R-1/2**

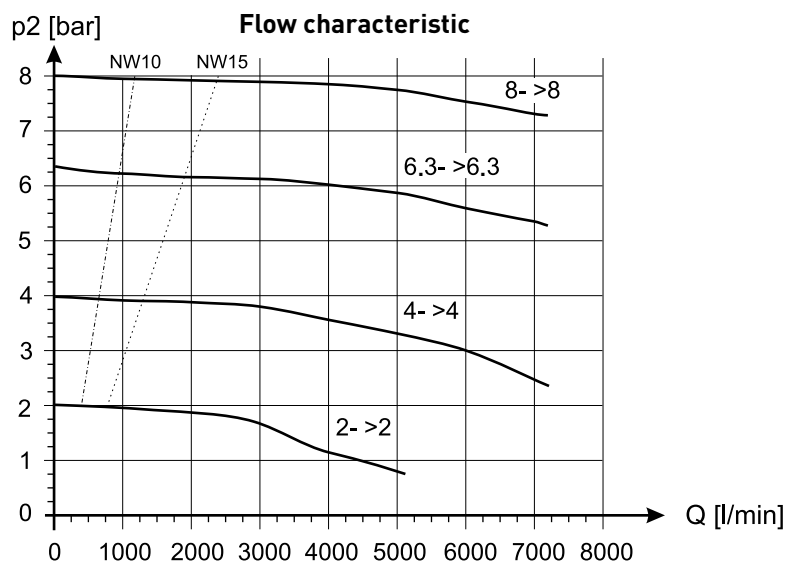


## Air Preparation Units

*airfit A15 series  
G1/2, G3/4*

*Flow characteristics*

**Nano oil mist lubricator – model A15L-1/2**



See page 5 for Specifications

# Air Preparation Units

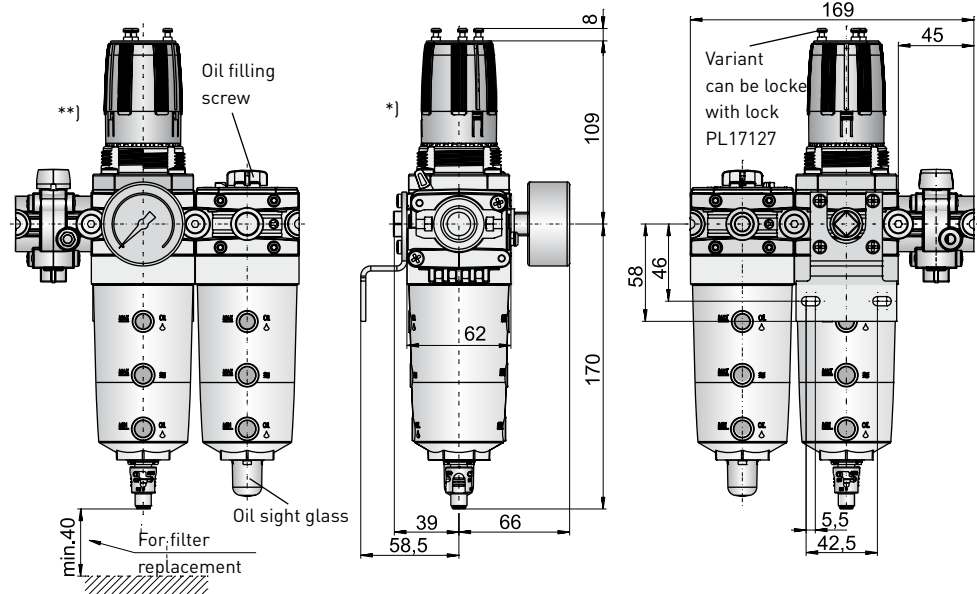
airfit A15 series  
G1/2, G3/4

## Dimensions

### Features

- Bracket can be mounted immediately
- Modern design

Air preparation unit, 2-piece with shut-off valve — model A15DVKL-1/2, -3/4



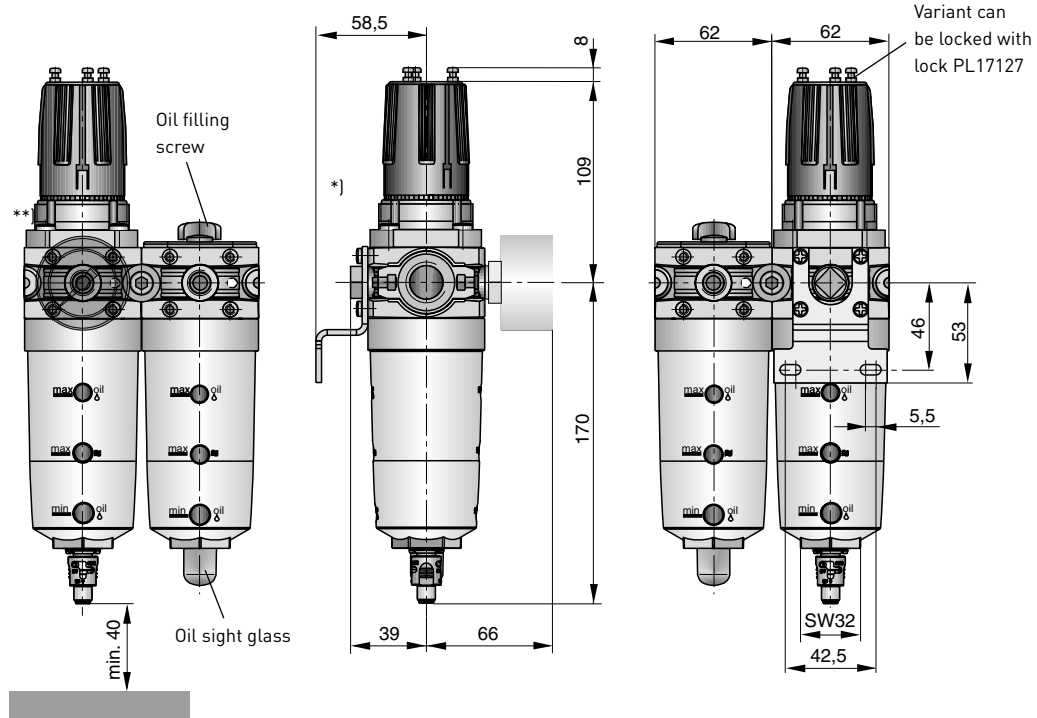
### Scope of delivery:

Maintenance unit, 2-piece:  
Combination device (filter regulator)  
Nano oil mist lubricator  
Pressure gauge  
Mounting bracket (Optional shut-off valve)

Combination device (filter regulator):  
No pressure gauge  
No mounting bracket

- \*] Locking screw is delivered unfitted
- \*\*] Double-sided pressure gauge connection G1/4

Air preparation unit, 2-piece — model A15KL-1/2, -3/4



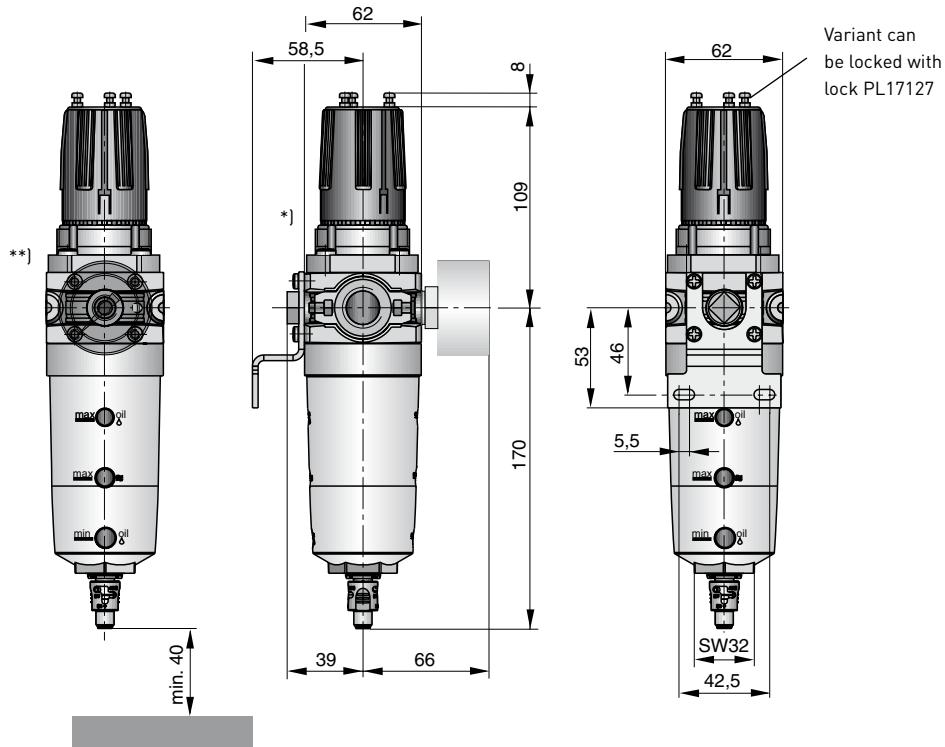
- \*] Locking screw is delivered unfitted
- \*\*] Double-sided pressure gauge connection G1/4



# Air Preparation Units

*airfit A15 series*  
G1/2, G3/4

Combination device (filter regulator) — model A15K-1/2, -3/4



- \*] Locking screw is delivered unfitted
- \*\*] Double-sided pressure gauge connection G1/4

See page 42 for Specifications

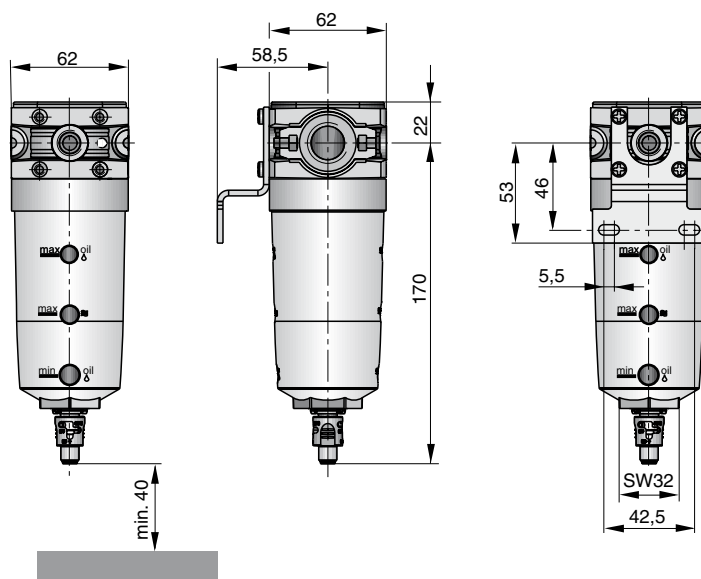
Dimensions in mm

# Air Preparation Units

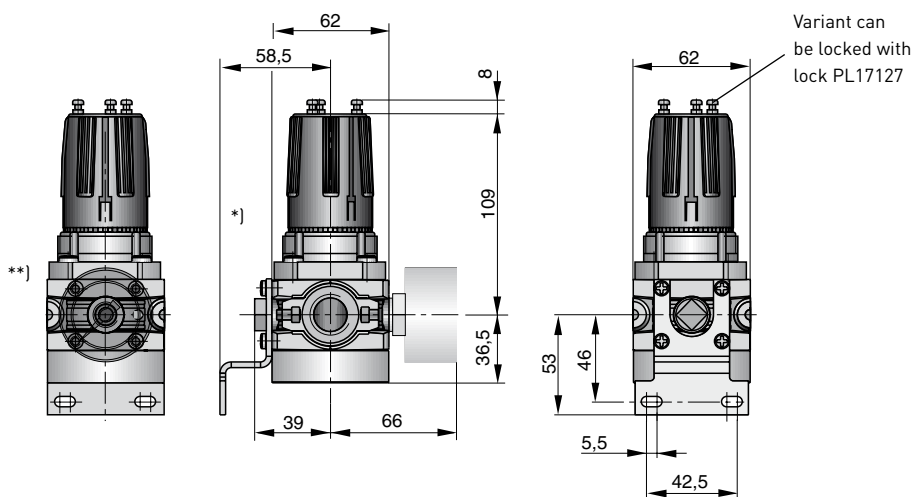
## Filter water separator — model A15F-1/2, -3/4

airfit A15 series  
G1/2, G3/4

Dimensions



## Pressure regulator — model A15R-1/2, -3/4



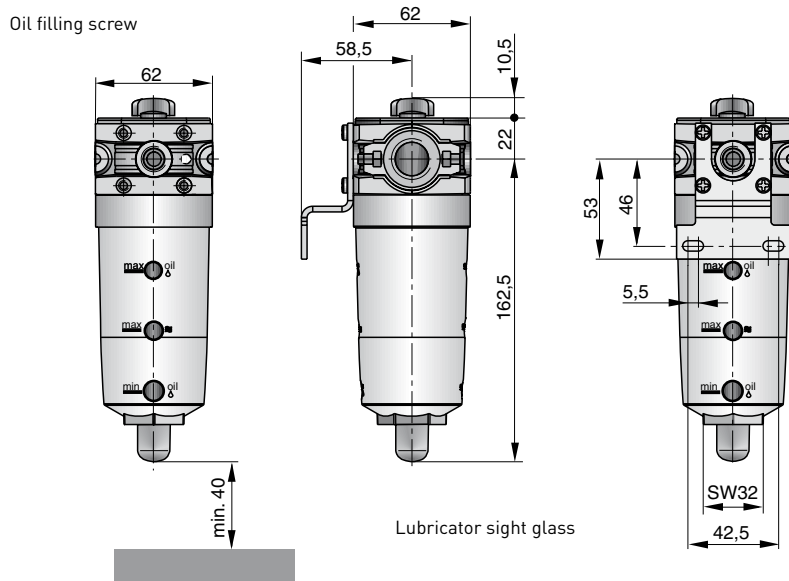
- \*) Locking screw is delivered unfitted
- \*\*) Double-sided pressure gauge connection G1/4



See page 42 for Specifications

Dimensions in mm

**Nano oil mist lubricator — model A15L-1/2, -3/4**



**Air Preparation Units**

*airfit A15 series  
G1/2, G3/4*

*Dimensions*

**Shut-off valve**

Description	Symbol	Connect.	Type	Order no.
3/2-way shut-off valve 4 locks possible		G1/2	A15DV-1/2	A15DV449-000
		G3/4	A15DV-3/4	A15DV649-000

*Order details*

**Accessories**

Description	Symbol	Connect.	Type	Order no.
Pressure gauge Ø 50, 0-10 bar, G1/4		G1/4		KG8012
Mounting kit				PL19805
Coupling kit				PL19807
Lock for CR-./.-X				PL17127
Compressed air oil VG12 for nano oil mist lubricator				KG6140
Porting kit A15 incl. mounting material G1/2, 2xG1/4		G1/2		PL19899
Porting kit compatible with airfit comfort incl. mounting material G1/2, 2xG1/4, G1/8		G1/2		PL19902



See page 42 for Specifications

Dimensions in mm



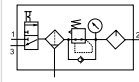
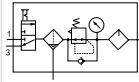
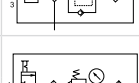
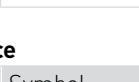
# Air Preparation Units

airfit A15 series  
G1/2, G3/4

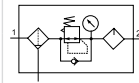
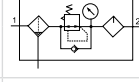


Order details

## Standard units

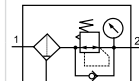
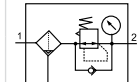
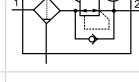

### Maintenance unit, 2-piece with 3/2-way shut-off valve

Characteristics	Symbol	Con-nect.	Type	Order no.
Standard, with combined manual and semi-automatic condensate draining with 30-micron filter insert, 5 mg/m <sup>3</sup> oil mist lubricator		G1/2	A15DVKL-1/2-SSS-100-ON-MW	A15KL449-010
		G3/4	A15DVKL-3/4-SSS-100-ON-MW	A15KL649-010
With fully automatic condensate draining		G1/2	A15DVKL-1/2-ASS-100-ON-MW	A15KL449-012
		G3/4	A15DVKL-3/4-ASS-100-ON-MW	A15KL649-012
With 50 mg/m <sup>3</sup> oil mist lubricator		G1/2	A15DVKL-1/2-SSP-100-ON-MW	A15KL449-510
		G3/4	A15DVKL-3/4-SSP-100-ON-MW	A15KL649-510
With 50 mg/m <sup>3</sup> oil mist lubricator and fully automatic condensate draining		G1/2	A15DVKL-1/2-ASP-100-ON-MW	A15KL449-512
		G3/4	A15DVKL-3/4-ASP-100-ON-MW	A15KL649-512

### Maintenance unit, 2-piece

Description	Symbol	Con-nect.	Type	Order no.
Standard, with combined manual and semi-automatic condensate draining with 30-micron filter insert, 5 mg/m <sup>3</sup> oil mist lubricator		G1/2	A15KL-1/2-SSS-100-ON-MW	A15KL449-000
		G3/4	A15KL-3/4-SSS-100-ON-MW	A15KL649-000
With fully automatic condensate draining		G1/2	A15KL-1/2-ASS-100-ON-MW	A15KL449-002
		G3/4	A15KL-3/4-ASS-100-ON-MW	A15KL649-002
With 50 mg/m <sup>3</sup> oil mist lubricator		G1/2	A15KL-1/2-SSP-100-ON-MW	A15KL449-500
		G3/4	A15KL-3/4-SSP-100-ON-MW	A15KL649-500
With 50 mg/m <sup>3</sup> oil mist lubricator and fully automatic condensate draining		G1/2	A15KL-1/2-ASP-100-ON-MW	A15KL449-502
		G3/4	A15KL-3/4-ASP-100-ON-MW	A15KL649-502

### Combination device (filter regulator)

Description	Symbol	Con-nect.	Type	Order no.
Standard, with combined manual and semi-automatic condensate draining with 30-micron filter insert, 5 mg/m <sup>3</sup> oil mist lubricator		G1/2	A15K-1/2-SS-100-ON-MW	A15K-449-000
		G3/4	A15K-3/4-SS-100-ON-MW	A15K-649-000
With fully automatic condensate draining		G1/2	A15K-1/2-S5-100-ON-MW	A15K-449-016
		G3/4	A15K-3/4-S5-100-ON-MW	A15K-649-016
With 50 mg/m <sup>3</sup> oil mist lubricator		G1/2	A15K-1/2-AS-100-ON-MW	A15K-449-002
		G3/4	A15K-3/4-AS-100-ON-MW	A15K-649-002
With 50 mg/m <sup>3</sup> oil mist lubricator and fully automatic condensate draining		G1/2	A15K-1/2-A5-100-ON-MW	A15K-449-018
		G3/4	A15K-3/4-A5-100-ON-MW	A15K-649-018

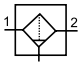
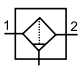
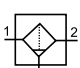
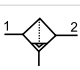
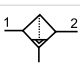
## Air Preparation Units

*airfit A15 series  
G1/2, G3/4*

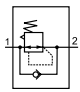
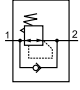
*Order details*

### Standard units

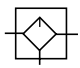
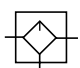
#### Filter water separator

Characteristics	Symbol	Connect.	Type	Order no.
Standard, with combined manual and semi-automatic condensate draining, with 30-micron filter insert		G1/2	A15F-1/2-SS-ON-0	A15F-449-000
		G3/4	A15F-3/4-SS-ON-0	A15F-649-000
With 5-micron filter insert, with combined manual and semi-automatic condensate draining.		G1/2	A15F-1/2-S5-ON-0	A15F-449-016
		G3/4	A15F-3/4-S5-ON-0	A15F-649-016
With 1-micron filter insert, with combined manual and semi-automatic condensate draining.		G1/2	A15F-1/2-S1-ON-0	A15FD449-000
		G3/4	A15F-3/4-S1-ON-0	A15FD649-000
With fully automatic condensate draining		G1/2	A15F-1/2-AS-ON-0	A15F-449-002
		G3/4	A15F-3/4-AS-ON-0	A15F-649-002
With 5-micron filter insert, with fully automatic condensate draining		G1/2	A15F-1/2-A5-ON-0	A15F-449-018
		G3/4	A15F-3/4-A5-ON-0	A15F-649-018

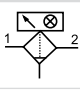
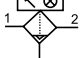
#### Pressure regulator

Description	Symbol	Connect.	Type	Order no.
Basic version Control spring for 8 bar (16 bar on request)		G1/2	A15R-1/2-100-N-0	A15R-449-000
		G3/4	A15R-3/4-100-N-0	A15R-649-000
With adapter for lock		G1/2	A15R-1/2-1X0-N-0	A15R-449-006
		G3/4	A15R-3/4-1X0-N-0	A15R-649-006
Signal-controlled, extremely high flow characteristic		G1/2	A15RV-1/2-N-0	A15RV449-000
		G3/4	A15RV-3/4-N-0	A15RV649-000

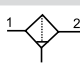
#### Nano oil mist lubricator

Description	Symbol	Connect.	Type	Order no.
5 mg/m <sup>3</sup> nano oil mist lubricator for components lubricated for life (e.g. cylinder, valves etc.)		G1/2	A15L-1/2-S-N-0	A15K-449-000
		G3/4	A15L-3/4-S-N-0	A15K-649-000
500 mg/m <sup>3</sup> nano oil mist lubricator for effective oil lubrication (e.g. compressed air vane motors)		G1/2	A15L-1/2-P-N-0	A15K-449-016
		G3/4	A15L-3/4-P-N-0	A15K-649-016

#### Submicrofilter

Description	Symbol	Connect.	Type	Order no.
Basic version with clogging display with combined manual and semi- automatic condensate draining		G1/2	A15MF-1/2-SC-VN-0	A15MF449-000
		G3/4	A15MF-3/4-SC-VN-0	A15MF649-000
With automatic draining		G1/2	A15MF-1/2-AC-VN-0	A15MF449-002
		G3/4	A15MF-3/4-AC-VN-0	A15MF649-002

#### Activated carbon filter

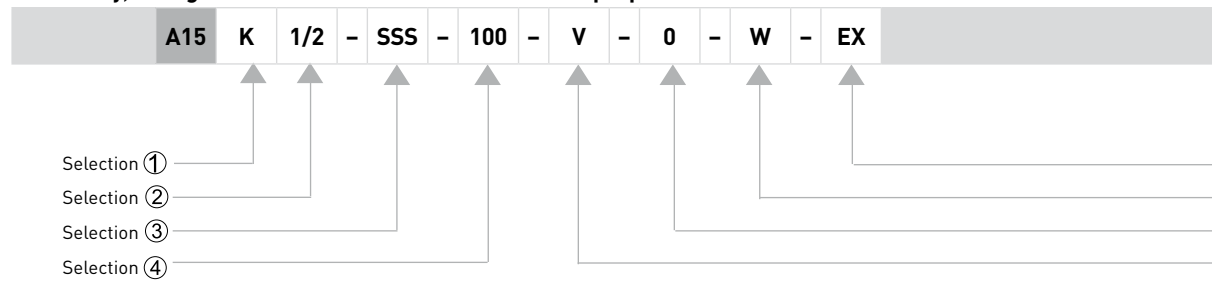
Description	Symbol	Connect.	Type	Order no.
With combined manual and semi- automatic condensate draining		G1/2	A15MC-1/2-SA-ON-0	A15MC449-000
		G3/4	A15MC-3/3-SA-ON-0	A15MC649-000

# Air Preparation Units

airfit A15 series  
G1/2, G3/4

Order details

Order key, configurable for A15 basic versions and air preparation unit



①

Description	
F	Filter water separator
R	Pressure regulator
L	Nano oil mist lubricator
K	Filter regulator
FRL	Maintenance unit, 3-piece
DVK	Shut-off valve with filter regulator
KL	Maintenance unit, 2-piece
DVKL	Shut-off valve with maintenance unit, 2-piece
RV	Pressure regulator, pilot operated
MF	Microfilter
MC	Activated carbon filter

②

Connection size	
1/2	G1/2
3/4	G3/4
3/8	G3/8
N1/2	1/2" NPT
N3/8	3/8" NPT



③

Pressure regulator, filter regulator (not for RV) - Options			
1 0 0	Pressure limitation factory preset	Locking option	Pressure regulating range
0	No factory presetting	0 Not lockable	1 0.3–8 bar
6	= e.g. pressure limitation 6 bar	X 3 locks possible using PL17127*	2 0.3–16 bar

④

Filter water separator, filter regulator, microfilter - Options			Nano oil mist lubricator - Options	
S S S	Filter fineness	Condensate drainage	Const. oil discharge	
S	Standard 30 µm	S Standard (manual/semi-automatic)	S	1–5 * <sup>1)</sup> mg/m <sup>3</sup>
5	5 µm	A Automatic drainage	P	20–50 * <sup>2)</sup> mg/m <sup>3</sup>
1	1 µm (not with A15K)	C Closed container		
C	0.01 µm (only in conjunction with A15MF)			
A	Activated carbon filter (only in conjunction with A15MC)			

\*1) For components already lubricated for life (e.g. actuators, valves etc.)

\*2) For components that need effective oil lubrication (e.g. compressed air vane motors)

See page 42 for Specifications

# Air Preparation Units

airfit A15 series  
G1/2, G3/4

Order details

- Selection ⑧
- Selection ⑦
- Selection ⑥
- Selection ⑤

⑤

Operating conditions/ Seals	
N	Standard (NBR) Temperature range 0 to +60°C
C	Cold-resistant design Temperature range -40 to +60°C
V	Oxygen-resistant design
F	Food-resistant design

⑥

Filter clogging display (only for filter water separator with 1 µm and microfilter)	
0	No clogging display
V	With clogging display

⑦

Accessories for filters and nano oil mist lubricators	
0	No accessories
W	Mounting bracket included
K	Coupling kit included
Accessories for air prepara- tion units, regulators and filter regulators	
0	No accessories Locking screw included
W	Mounting bracket and locking screw included
MW	Pressure gauge, mounting bracket and locking screw included (standard for air prepara- tion units)

⑧

Approvals	
	No specification standard
EX	ATEX-compliant explo- sion protection design

See page 42 for Specifications



