

Overview

Description	Page		
	Characteristics	Dimensions	Order instructions Type overview
Air preparation unit three-piece	22, 23, 26	29	37, 39
Air preparation unit two-piece	22, 23, 26	29	37, 39
Filter-regulator	22, 23, 26	30	37, 39
Filter-water-separator	22, 23, 26	30	37, 39
Dust filter	22, 23, 26	30	37, 39
Pressure regulating valve	22, 23, 27	31, 32	38, 39
Pressure regulating valve, pilot operated	22, 23, 27	33	38, 39
Oil mist lubricator	24, 25, 28	33	38, 39
Start valve	24, 25	34	38, 39
Stop valve	24, 25	34, 35	38, 39
Submicrofilter	24, 25	35	39
Activated carbon filter	24, 25	35	39
3/2 Way shut-off valve	24, 25	36	39
Accessories	40, 41	39–41	39–41

Air preparation units

*Series airfit swing
G1/4, G3/8*



Air preparation units

Series airfit swing
G1/4, G3/8

Characteristics

Special solutions
(e.g. temperature, pressure,
medium ...) on request, or see
page 155–166 for special units



Pressures quoted as gauge pressure

Characteristics	Symbol	Unit	Air preparation unit three-piece		Air preparation unit two-piece	
System			Consisting of filter-water-separator, pressure regulating valve, oil mist lubricator*, gauge, mounting bracket		Consisting of filter-regulator, oil mist lubricator*, gauge, mounting bracket	
Type			SFRL-1/4	SFRL-3/8	SKL-1/4	SKL-3/8
Material			Diecast zinc		Polycarbonate	
– Housing			Diecast zinc		Polycarbonate	
– Plastic bowl			Polycarbonate		Polycarbonate	
– Metal bowl			Diecast zinc		Diecast zinc	
– Diaphragm			NBR		NBR	
– Standard sealings			NBR			
Port size (NPTF version)			G1/4	G3/8	G1/4	G3/8
Max. condensate capacity		cm ³	22	22	22	22
Pore size of filter element		µm	30 or 5		30 or 5	
Condensate drainage			Manual, semi-automatic (pressure relief), or automatic (float type)			
Oil/air ratio			Constant oil drip rate independent of air flow			
Max. oil capacity		cm ³	45		45	
Oil refilling			Manual – also during operation			
Installation			Vertical, bowl at the bottom		Vertical, bowl at the bottom	
Medium and ambient temperatures	T _{min} T _{max}	°C °C	0 +50 at 10 bar (further temperatures on request)		0 +50 at 10 bar (further temperatures on request)	
Weight (mass)		kg	0.95		0.75	
Pneumatic characteristics						
Operating pressure range – inlet pressure	p _{1 min} p _{1 max}	bar bar	0 16		0 16	
Operating pressure range – outlet pressure	p _{2 min/max}	bar	0.5 to 8 on request 0.5 to 4 ³⁾ on request 0.5 to 15 ³⁾		0.5 to 8 on request 0.5 to 4 ³⁾ on request 0.5 to 15 ³⁾	
Min. pressure difference	p ₁ –p ₂					
Hysteresis	p ₁ =10/p ₂ =0 p ₁ =10/p ₂ =8					
Maximum flow ¹⁾	Q _{max}	l/min m ³ /h	825 50	790 47	890 53	790 47
Degree of moisture separation at recommended flow	η	%	> 95	> 90	> 95	> 90

¹⁾ at p₁ = 10 bar and p₂ = 6.3 bar, Δp = 1 bar

²⁾ at 6 bar and 25 m/s flow velocity

³⁾ By the use of special springs, the outlet pressure can be precisely regulated in the specified p₂ range

⁴⁾ Recommended pilot pressure regulating valve MRP-1/8 (see page 9)

*) Use only recommended oils with viscosity VG32 to ISO 3448 (32 mm²/s at 40°C) or HOERBIGER special oil, Order No.: KY 8766 (see page 191)

Filter-regulator		Filter-water-separator		Dust filter		Pressure regulating valve		Pressure regulating valve pilot operated	
Cyclone system with filter element combined with diaphragm-type pressure regulating valve (spring loaded) with secondary pressure relief, handwheel lockable		With cyclone system and filter element		With cyclone system and dust filter element		Diaphragm-type pressure regulating valve (spring loaded) with secondary pressure relief, inlet pressure and volume compensation, locating ring, handwheel lockable		Pilot operated piston-type pressure regulator with secondary pressure relief and flow compensation ⁴⁾	
SK-1/4	SK-3/8	SF-1/4	SF-3/8	SFD-1/4	SFD-3/8	SR-1/4 (-T)	SR-3/8 (-T)	SRV-1/4	
Diecast zinc									
Polycarbonate		Polycarbonate		Polycarbonate		-		-	
Diecast zinc		Diecast zinc		Diecast zinc		-		-	
NBR						NBR		NBR	
NBR									
G1/4	G3/8	G1/4	G3/8	G1/4	G3/8	G1/4	G3/8	G1/4	
22	22	22	22	22	22	-		-	
30 or 5		30 or 5		1					
Manual, semi-automatic (pressure relief), or automatic (float type)				Manual		-		-	
-									
-									
Vertical, bowl at the bottom		Vertical, bowl at the bottom		Vertical, bowl at the bottom		In any position		In any position	
0 +50 at 10 bar (further temperatures on request)		0 +50 at 10 bar (further temperatures on request)		0 +50 at 10 bar (further temperatures on request)		0 +60 at 10 bar (further temperatures on request)		0 +60 at 10 bar (further temperatures on request)	
0.35		0.25		0.25		0.30		0.40	
0 16		0 16		0 16		0 16		0 16	
0.5 to 8 On request 0.5 to 4 ³⁾ On request 0.5 to 15 ³⁾						0.5 to 8 On request 0.5 to 4 ³⁾ On request 0.5 to 15 ³⁾		-	
0.2						0.2		0.2	
0.5 0.4						0.5 0.4		0.5 0.4	
2280 137	3200 192	1440 86	1520 91	1340 80	1620 97	2850 171	3300 198	2200 132	
> 95		> 90		> 95		> 90		Only solid particles > 99% related to 1 µm	

For more characteristics of air preparation units see page 24–25

Air preparation units

Series airfit swing
G1/4, G3/8

Characteristics

Special solutions (e.g. temperature, pressure, medium ...) on request, or see page 155–166 for special units



Pressures quoted as gauge pressure

Characteristics	Symbol	Unit	Oil mist lubricator		Start valve	
System			Oil mist lubricator with flow compensation *)		Poppet valve with integral throttle for slow pressure build-up (e.g. after emergency shutdown). At 0.5 x operating pressure the valve switches to full	
Type			SL-1/4	SL-3/8	SDA-1/4	SDA-3/8
Material						
– Housing			Diecast zinc			
– Plastic bowl			Polycarbonate			
– Metal bowl			Diecast zinc		–	
– Diaphragm			–		–	
– Standard sealings			NBR			
Port size (NPTF version)			G1/4	G3/8	G1/4	G3/8
Max. condensate capacity		cm ³				
Condensate drainage						
Oil/air ratio			Constant oil drip rate independent of air flow		–	
Max. oil capacity		cm ³	45		–	
Oil refilling			Manual		–	
Installation			Vertical		In any position – direct assembly to air preparation units series airfit swing	
Medium and ambient temperatures	T_{min} T_{max}	°C °C	0 +50 at 10 bar (further temperatures on request)		0 +60 at 10 bar (further temperatures on request)	
Weight (mass)		kg	0.25		0.35	
Pneumatic characteristics						
Operating pressure range – inlet pressure	$p_{1 min}$ $p_{1 max}$	bar bar	0 16		2 16	
Maximum flow ¹⁾	Q_{max}	l/min m ³ /h	1830 110	1880 113	1500 90	1600 96
Best, recommended operating range for the oil mist lubricator	Q_n	m ³ /h	0.2–30	0.2–54	–	
Degree of filtration at recommended flow ²⁾	η	%	–		–	
Residual oil amount		mg/m ³	–		–	

¹⁾ at $p_1 = 10$ bar and $p_2 = 6.3$ bar, $\Delta p = 1$ bar, start-stop valve and 3/2 Way shut-off valve: at $p_1 = 6.3$ bar, $\Delta p = 1$ bar
²⁾ at 6 bar and 25 m/s flow velocity

*) Use only recommended oils with viscosity VG32 to ISO 3448 (32 mm²/s at 40°C) or HOERBIGER special oil, Order No.: KY 8766 (see page 191)

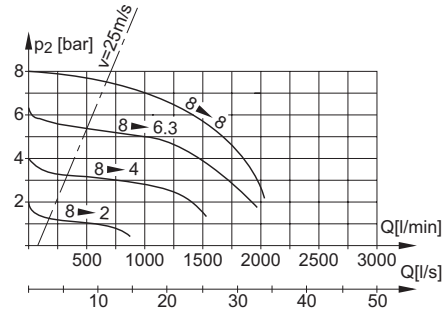
Stop valve		Submicrofilter		Activated carbon filter		3/2 Way shut-off valve	
3/2 Way poppet valve with pneumatic (P) or electrical (E) actuation and integrated exhaust silencer						3/2 Way valve (spool type), direct assembly to any unit from the airfit swing series, with coupling kit PL16959	
SDR-1/4P (E)	SDR-3/8P (E)	MF012-1/4	MF012-3/8	MC012-1/4	MC012-3/8	SDV-1/4-XS	SDV-3/8-XS
Diecast zinc		Polycarbonate		Polycarbonate			
-		Diecast zinc		Diecast zinc		-	
-		-		-		-	
NBR							
G1/4	G3/8	G1/4	G3/8	G1/4	G3/8	G1/4	G3/8
		13	13	-	-	-	-
		Manual		Manual			
-		-		-		-	
-		-		-		-	
-		-		-		-	
Follow the installation notes		Vertical, bowl at the bottom		Vertical, bowl at the bottom		In any position	
0 +60 at 10 bar (further temperatures on request)		0 +50 at 10 bar		0 +40 at 10 bar		0 +60 at 10 bar (further temperatures on request)	
0.5 (P) 0.8 (E)		0.30		0.30		0.25	
2 16 (10 E)		0 16		0 16		0 16	
1500 90	1600 96	580 at 6 bar 35		580 at 6 bar 35		4100 246	5300 318
-		-		-		-	
-		Over 99.99999% related to 0.01µm		-		-	
-		< 0.01 input conc. 3 mg/m ³		0.003 ‰ in combination MF		-	

Air preparation units

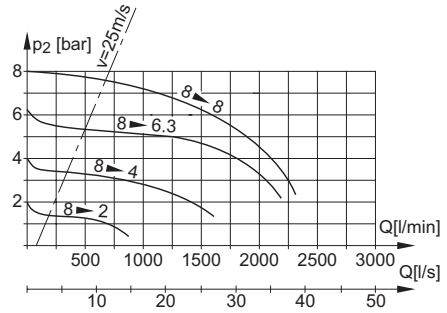
Series airfit swing
G1/4, G3/8

Flow characteristics

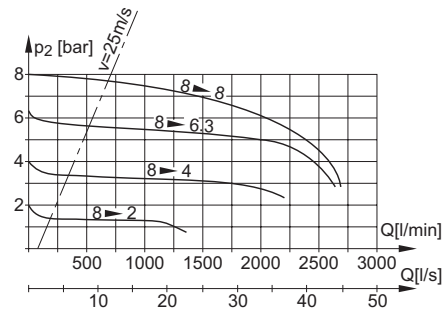
Air preparation unit three-piece/two-piece
Type: SFRL-1/4



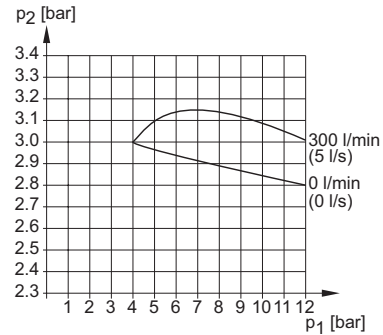
Type: SKL-1/4



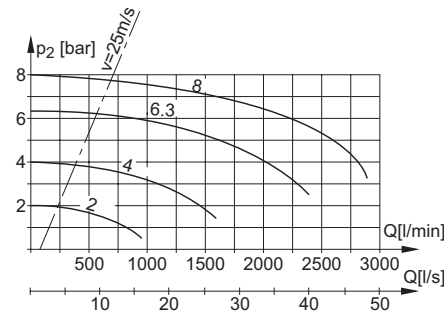
Filter-regulator
Type: SK-1/4



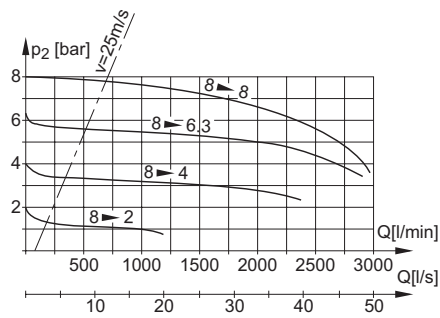
Outlet pressure variation with fluctuation
inlet pressure
Type: SK-1/4



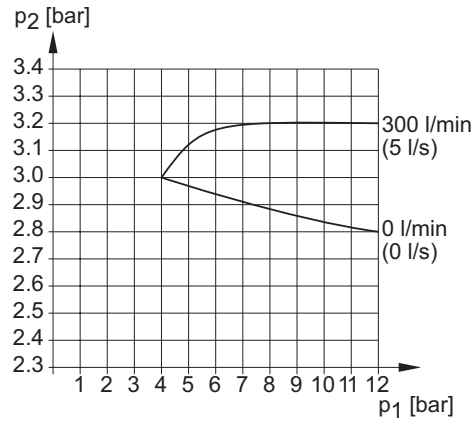
Filter-water-separator
Type: SF-1/4



Pressure regulating valve
Type: SR-1/4, SR-1/4-T



Outlet pressure variation with fluctuation inlet pressure
Type: SR-1/4, SR-1/4-T

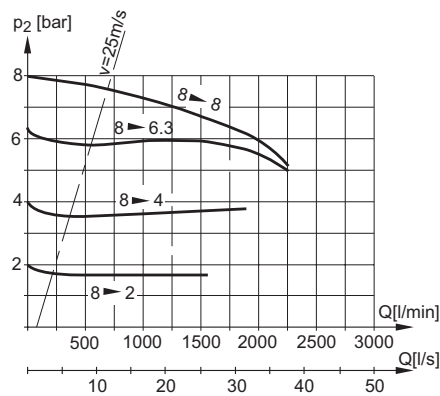


Air preparation units

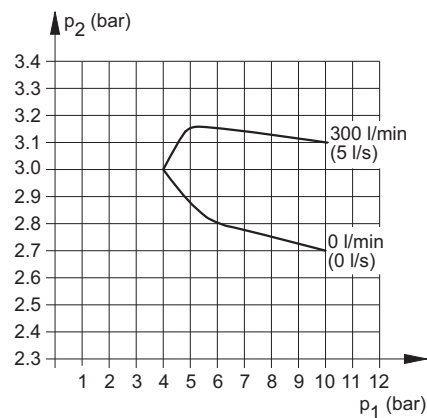
Series airfit swing
G1/4, G3/8

Flow characteristics

Pressure regulating valve, pilot operated
Type: SRV-1/4



Outlet pressure variation with fluctuation inlet pressure
Type: SRV-1/4



For order instructions see page 37–39, for characteristics see page 22–28,
for accessories see page 40, 41

Dimensions in mm

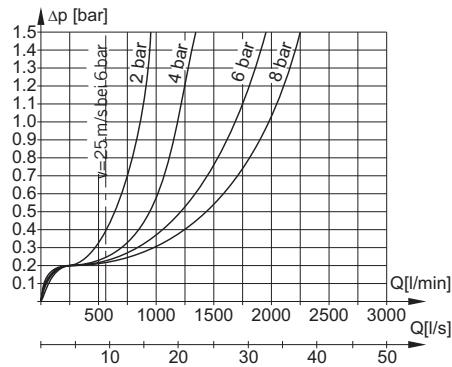


Air preparation units

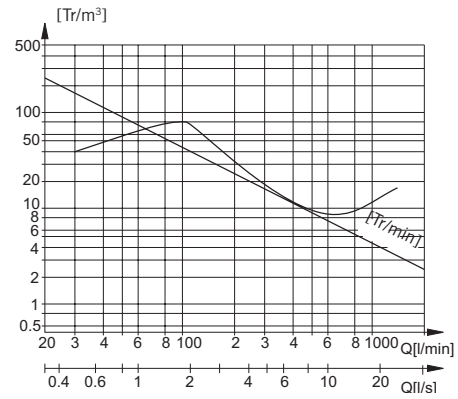
Series airfit swing
G1/4, G3/8

Flow characteristics

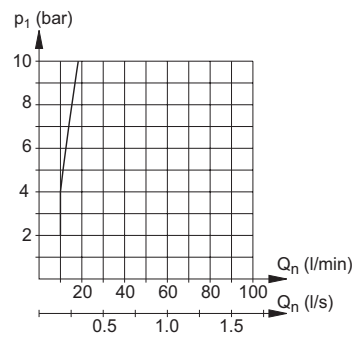
Oil mist lubricator
Type: SL-08



Oil/air ratio
Type: SL-08



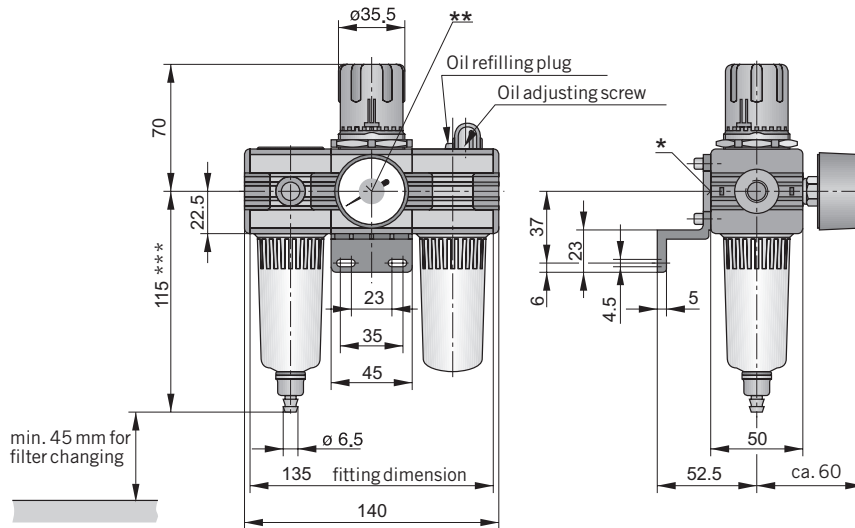
Min. operating conditions
Type: SL-08



For order instructions see page 37–39, for characteristics see page 22–28,
for accessories see page 40, 41

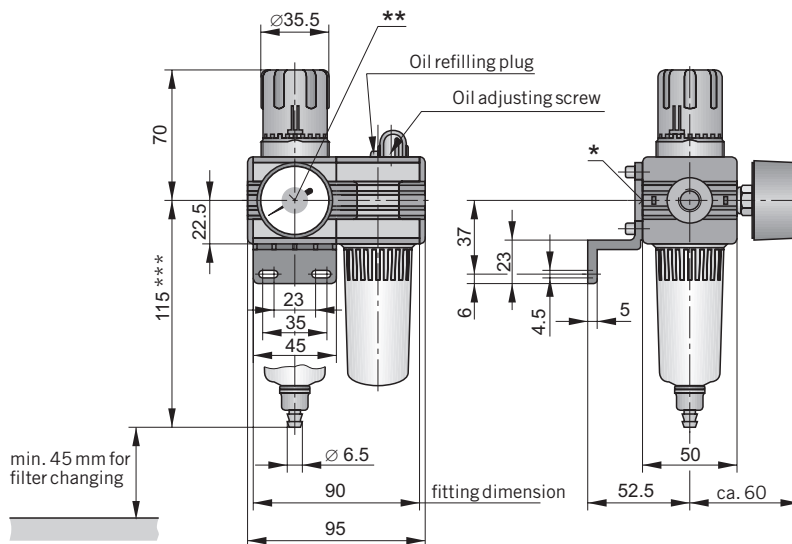
Dimensions in mm

Air preparation unit three-piece – Type: SFRL-1/4, 3/8

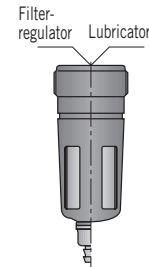


- * On delivery the plug screw is not assembled.
- ** Two opposite gauge ports G1/8
- *** 130 mm on version with automatic drainage

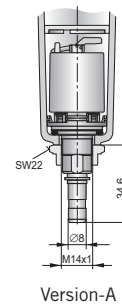
Air preparation unit two-piece – Type: SKL-1/4, 3/8



- * On delivery the plug screw is not assembled.
- ** Two opposite gauge ports G1/8
- *** 130 mm on version with automatic drainage



Version-E



Version-A

Air preparation units

Series airfit swing
G1/4, G3/8

Dimensions

Features:

- easily adaptable to customer's choice of color and private labeling
- quick, easy filter change with new Quick-Snap system

Delivery includes:

Air preparation unit three-piece:

- Filter-water-separator
- Pressure regulating valve
- Oil mist lubricator
- Gauge
- Mounting bracket
- Mounting ring

Air preparation unit two-piece:

- Filter-regulator
- Oil mist lubricator
- Gauge
- Mounting bracket

Filter-regulator

Pressure regulating valve:
Mounting ring included



For order instructions see page 37–39, for characteristics see page 22–28, for accessories see page 40, 41

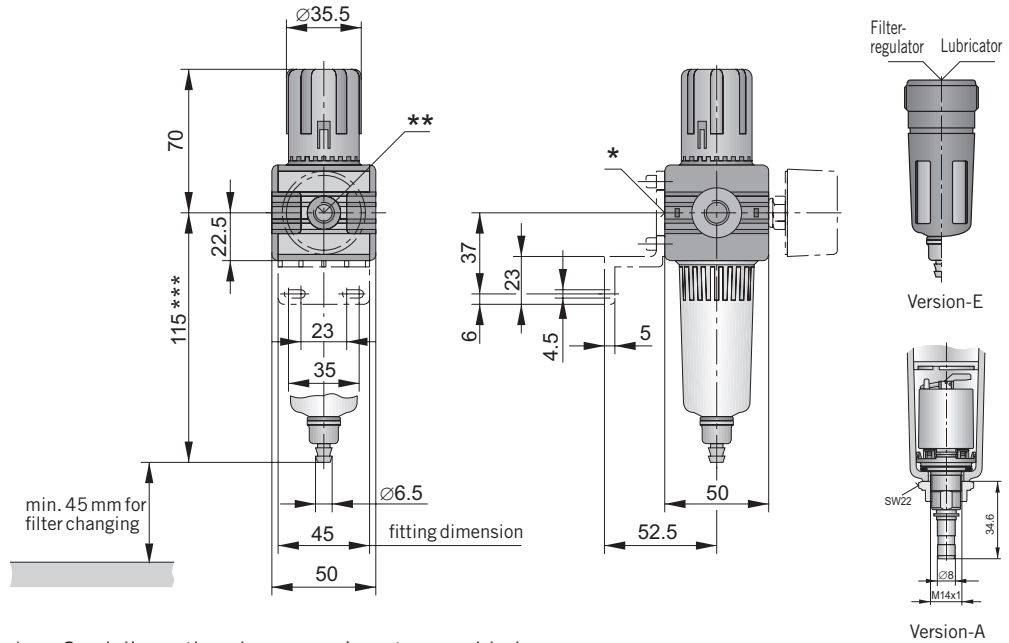
Dimensions in mm

Air preparation units

Series airfit swing
G1/4, G3/8

Dimensions

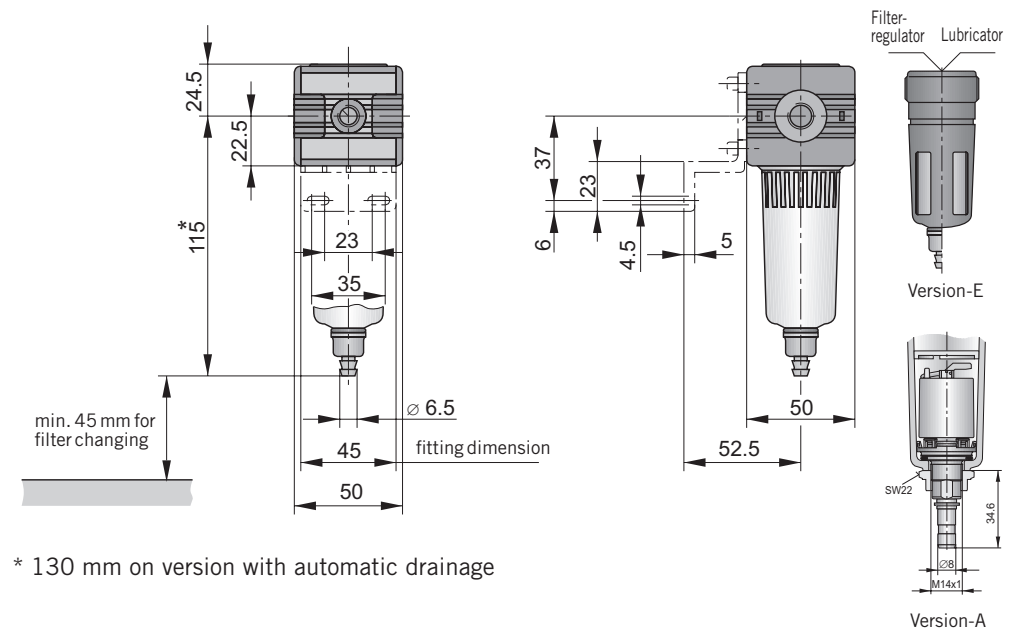
Filter-regulator – Type: SK-1/4, 3/8



- * On delivery the plug screw is not assembled.
- ** Two opposite gauge ports G1/8
- *** 130 mm on version with automatic drainage

* Dust filter with extra large filter surface for long service life; developed specifically for use with air dryers

Filter-water-separator – Type: SF-1/4, 3/8
Dust filter – Type: SFD-1/4, 3/8*



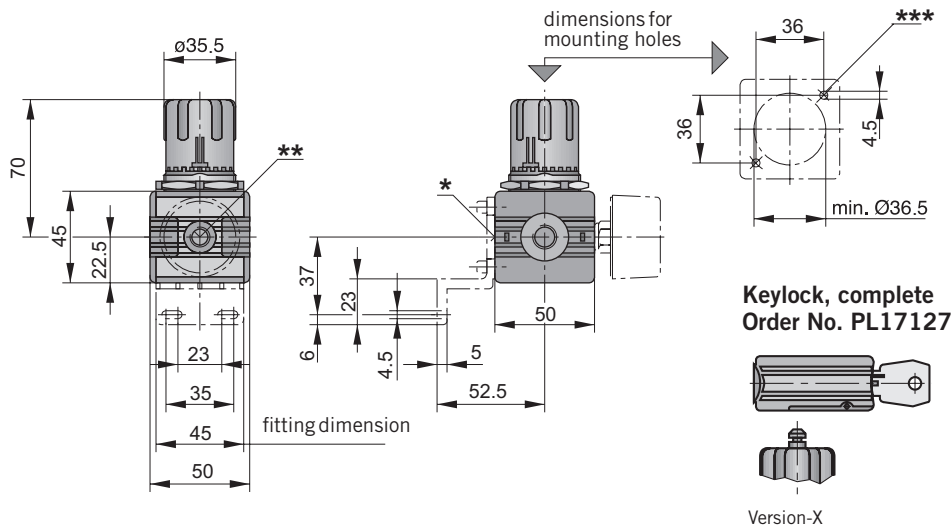
- * 130 mm on version with automatic drainage



For order instructions see page 37–39, for characteristics see page 22–28, for accessories see page 40, 41

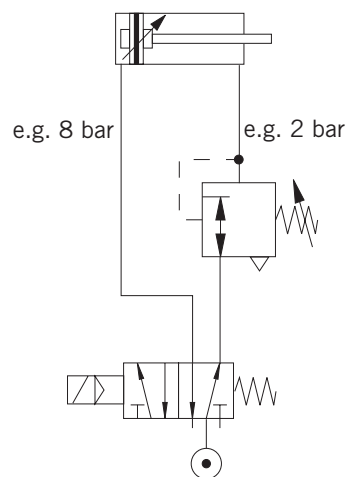
Dimensions in mm

Pressure regulating valve – Type: SR-1/4, 3/8
 Special pressure regulating valve for high relief capacity – SR-1/4SO



- * On delivery the plug screw is not assembled.
- ** Two opposite gauge ports G1/8
- *** For self-tapping screw M4, DIN 7500, maximum screw depth: 10 mm

Installation instructions for special pressure regulating valve, for high relief capacity
 Type: SR-1/4SO, PB 45449-030



Example:
 To regulate the pressure in the direction of the stroke, install the regulator as shown in the diagram. The pressure relief uses the full cross-section of the valve, allowing the cylinder to travel at full speed.

For order instructions see page 37–39, for characteristics see page 22–28, for accessories see page 40, 41

Dimensions in mm

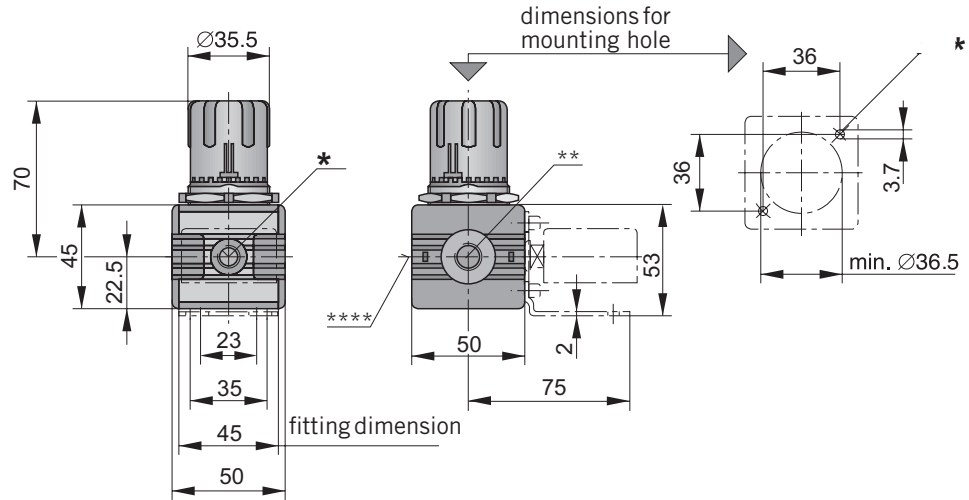


Air preparation units

Series airfit swing
G1/4, G3/8

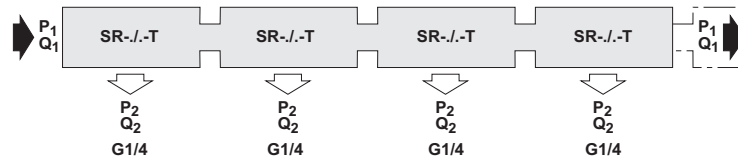
Dimensions

Pressure regulating valve, with through p_1 supply port – Type: SR-1/4-T, 3/8-T



- * Gauge ports G1/8
- ** With through p_1 supply port G1/4, G3/8
- *** For self-tapping screw M4, DIN 7500, maximum screw depth: 10 mm
- **** p_2 port G1/4

Installation instructions for battery mounting

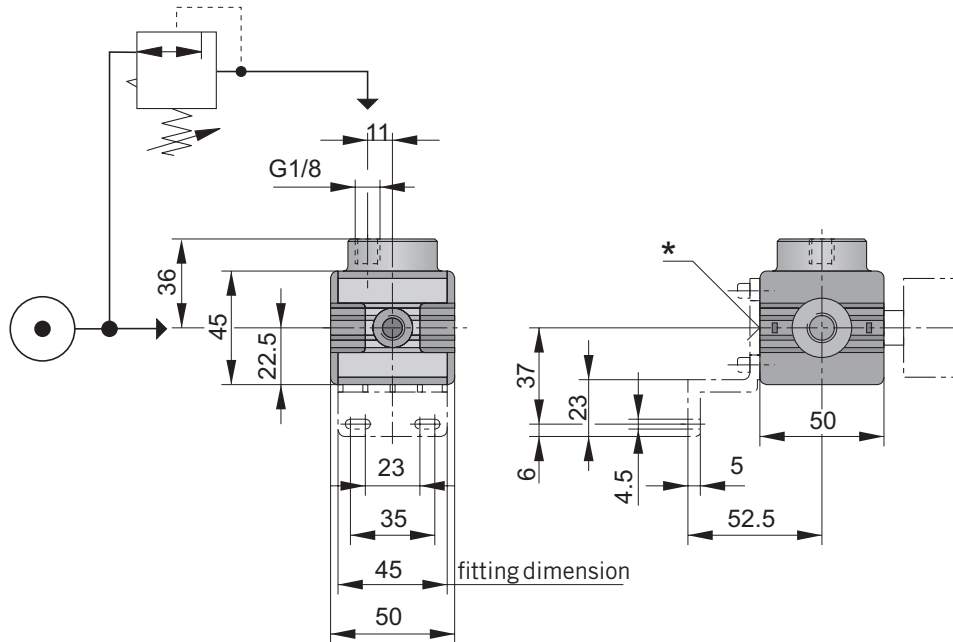


For order instructions see page 37–39, for characteristics see page 22–28,
for accessories see page 40, 41

Dimensions in mm

Pressure regulating valve, pilot operated – Type: SRV-1/4

– Recommended pilot pressure regulating valve, series airfit light, Type: MRP-1/8, PB21749-800



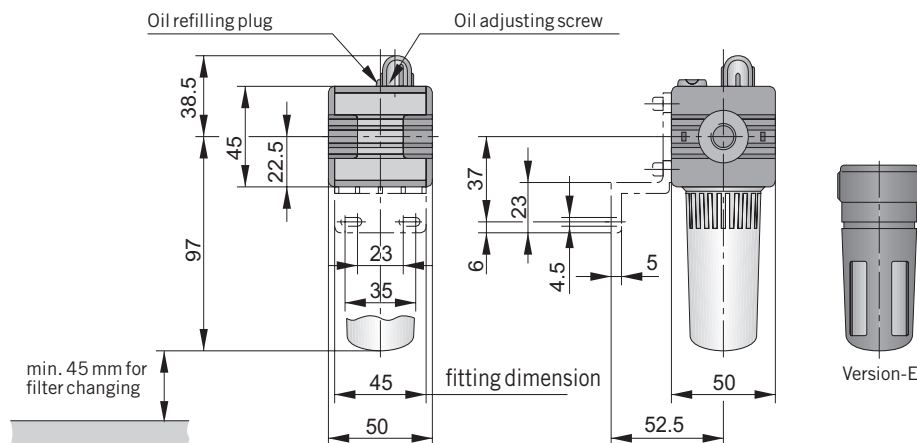
* Two opposite gauge ports G1/8 – On delivery the plug screw is not assembled.

Air preparation units

Series airfit swing
G1/4, G3/8

Dimensions

Oil mist lubricator – Type: SL-1/4, 3/8



For order instructions see page 37–39, for characteristics see page 22–28, for accessories see page 40, 41

Dimensions in mm



Air preparation units

Series airfit swing
G1/4, G3/8

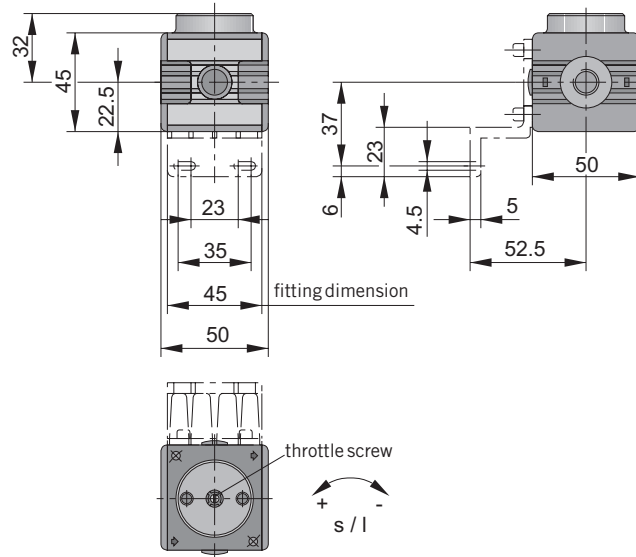
Dimensions

Features:

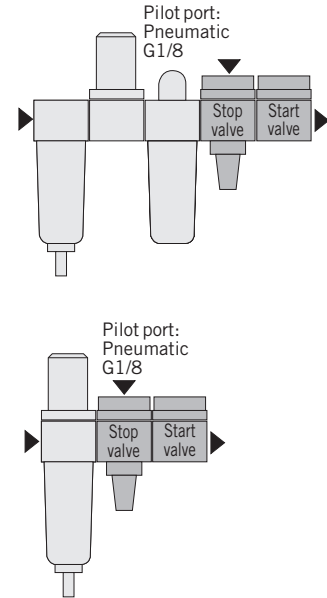
Safety valve for slow pressure build-up in pneumatic circuits. It prevents uncontrolled movements of the pneumatic components under the impact of full operating pressure. Pressure build-up time can be adjusted with the throttle screw.

Note:
System operation must not be switched on during the starting phase.

Start valve – Type: SDA-1/4, 3/8

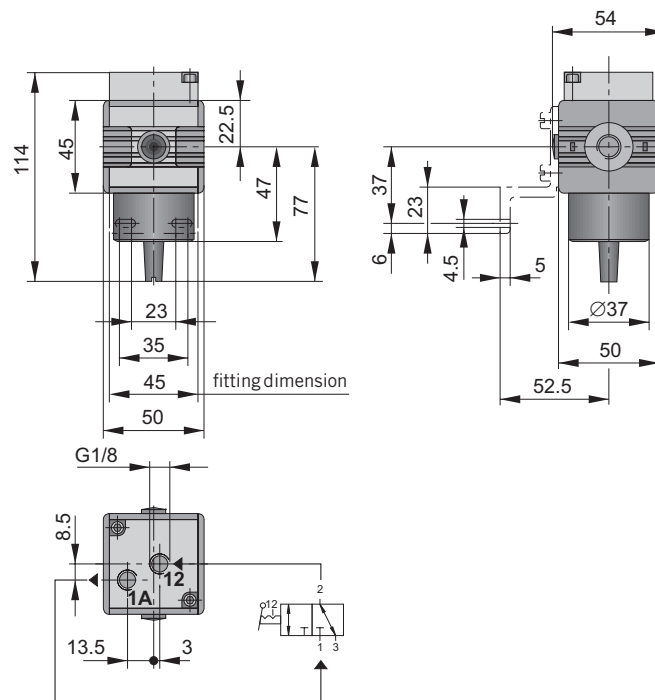


Installation instructions for start-stop valve



The stop valve is used in conjunction with the soft start valve for exhausting pneumatic circuits.

Stop valve – Type: SDR-1/4P, 3/8P (pneumatically actuated)



Venting time (s) in relation to volume

Pressure reduction range	Venting time (s) *
8 → 0.1 bar	0.7 x V (l) = t (s)
6 → 0.1 bar	0.65 x V (l) = t (s)
4 → 0.1 bar	0.55 x V (l) = t (s)
2 → 0.1 bar	0.45 x V (l) = 6 (s)

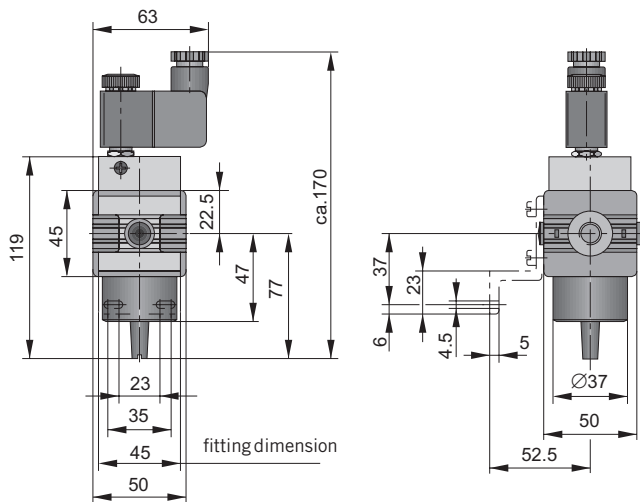
* Notes:
This calculation assumes short connections with NW 8 mm tubing directly after the SDR stop valve.



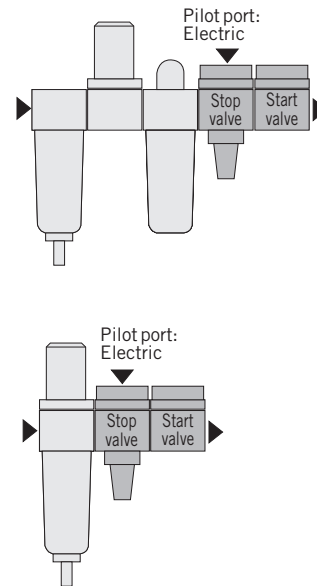
For order instructions see page 37–39, for characteristics see page 22–28, for accessories see page 40, 41

Dimensions in mm

Stop valve – Type: SDR-1/4E, 3/8E (electrically actuated)



Installation instructions

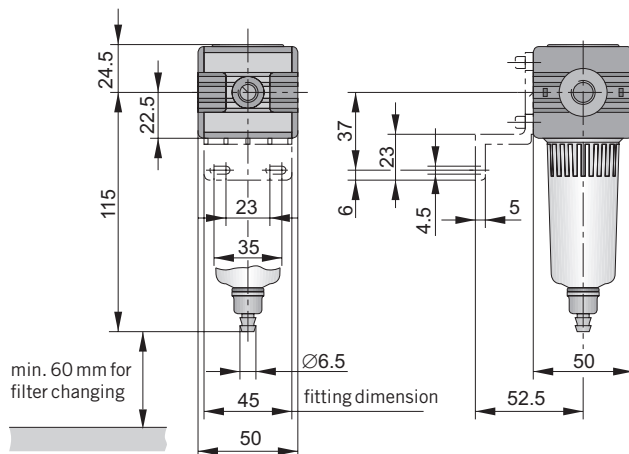


Air preparation units

*Series airfit swing
G1/4, G3/8*

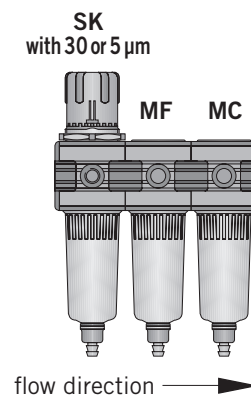
Dimensions

**Submicrofilter – Type: MF012-1/4, 3/8
Activated carbon filter – Type: MC012-1/4, 3/8**



Installation procedure

To increase the life span of the filter elements, we recommend the following order.



For order instructions see page 37–39, for characteristics see page 22–28, for accessories see page 40, 41

Dimensions in mm



Air preparation units

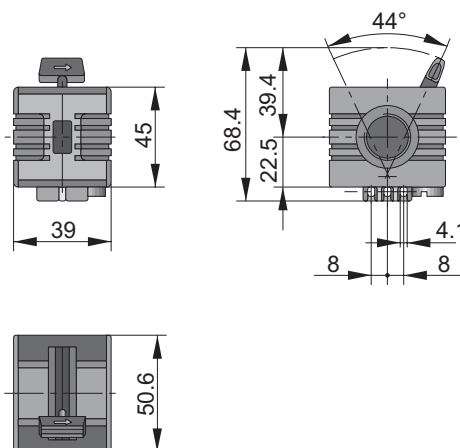
3/2 Way shut-off valve
Type: SDV-1/4-XS, -3/8-XS

Series airfit swing
G1/4, G3/8

Dimensions

Features:

- Spool type valve
- 3-piece lockable
- Color coded optical position indicator – Controlled exhaust
- Arrow symbol indicates flow direction



For order instructions see page 37–39, for characteristics see page 22–28,
for accessories see page 40, 41

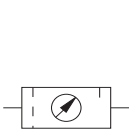
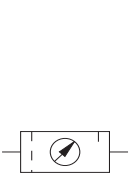
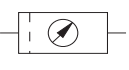
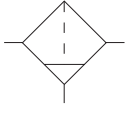
Dimensions in mm

Air preparation units

Series airfit swing
G1/4, G3/8

Order instructions

Standard versions

Description	Symbol	Port size	Order instruction		
			Type	Order No.	
Air preparation unit three-piece					
Basic version		G1/4	SFRL-1/4	PB 48149-000	
		G3/8	SFRL-3/8	PB 48249-000	
with semi-automatic drainage		G1/4	SFRL-1/4-H	PB 48149-001	
		G3/8	SFRL-3/8-H	PB 48249-001	
with automatic drainage		G1/4	SFRL-1/4-A	PB 48149-002	
		G3/8	SFRL-3/8-A	PB 48249-002	
Air preparation unit two-piece					
Basic version		G1/4	SKL-1/4	PB 48449-000	
		G3/8	SKL-3/8	PB 48549-000	
with semi-automatic drainage		G1/4	SKL-1/4-H	PB 48449-001	
		G3/8	SKL-3/8-H	PB 48549-001	
with automatic drainage		G1/4	SKL-1/4-A	PB 48449-002	
		G3/8	SKL-3/8-A	PB 48549-002	
with metal bowl (sight glass) ¹⁾		G1/4	SKL-1/4-E	PB 48449-004	
		G3/8	SKL-3/8-E	PB 48549-004	
Filter-regulator					
Basic version		G1/4	SK-1/4	PB 45749-000	
		G3/8	SK-3/8	PB 45849-000	
with filter element 5 µm		G1/4	SK-1/4-5	PB 45749-016	
		G3/8	SK-3/8-5	PB 45849-016	
with semi-automatic drainage		G1/4	SK-1/4-H	PB 45749-001	
		G3/8	SK-3/8-H	PB 45849-001	
with automatic drainage		G1/4	SK-1/4-A	PB 45749-002	
		G3/8	SK-3/8-A	PB 45849-002	
with metal bowl (sight glass) ¹⁾		G1/4	SK-1/4-E	PB 45749-004	
		G3/8	SK-3/8-E	PB 45849-004	
Filter-water-separator					
Basic version			G1/4	SF-1/4	PB 45149-000
	G3/8		SF-3/8	PB 45249-000	
with filter element 5 µm	G1/4		SF-1/4-5	PB 45149-016	
	G3/8		SF-3/8-5	PB 45249-016	
with filter element 1 µm (dust filter)	G1/4		SFD-1/4-1	PB 45149-070	
	G3/8		SFD-3/8-1	PB 45249-070	
with semi-automatic drainage	G1/4		SF-1/4-H	PB 45149-001	
	G3/8		SF-3/8-H	PB 45249-001	
with automatic drainage	G1/4		SF-1/4-A	PB 45149-002	
	G3/8		SF-3/8-A	PB 45249-002	
with metal bowl (sight glass) ¹⁾	G1/4		SF-1/4-E	PB 45149-004	
	G3/8		SF-3/8-E	PB 45249-004	

¹⁾ Versions with metal bowl and automatic drainage on request

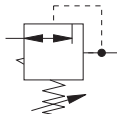
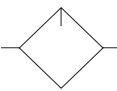
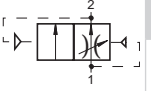
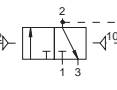
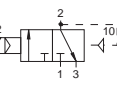


Air preparation units

Series airfit swing
G1/4, G3/8

Order instructions

Standard versions

Description	Symbol	Port size	Order instruction	
			Type	Order No.
Pressure regulating valve				
– Basic version		G1/4	SR-1/4	PB 45449-000
		G3/8	SR-3/8	PB 45549-000
– with adapter for keylock		G1/4	SR-1/4-X	PB 45449-006
		G3/8	SR-3/8-X	PB 45549-006
– Special pressure regulating valve for high relief capacity		G1/4	SR-1/4SO	PB 45449-030
– Pressure regulating valve with through p ₁ supply port		p ₁ -G1/4, through p ₂ -G1/4, Output	SR-1/4-T-1/4	PB 45449-100
– Pressure regulating valve with through p ₁ supply port	p ₁ -G3/8, through p ₂ -G1/4, Output	SR-3/8-T-1/4	PB 45549-100	
– Pressure regulating valve, pilot operated		G1/4	SRV-1/4	PB 45449-070
Oil mist lubricator				
– Basic version		G1/4	SL-1/4	PB 46149-000
		G3/8	SL-3/8	PB 46249-000
– with metal bowl (sight glass)		G1/4	SL-1/4-E	PB 46149-004
		G3/8	SL-3/8-E	PB 46249-004
Start valve				
– Start valve		G1/4	SDA-1/4	PB 47149-100
		G3/8	SDA-3/8	PB 47249-100
Stop valve				
– pneumatically actuated		G1/4	SDR-1/4 P	PB 47149-200
		G3/8	SDR-3/8 P	PB 47249-200
– electrically actuated 24 V DC		G1/4	SDR-1/4 E	PB 47149-201
		G3/8	SDR-3/8 E	PB 47249-201
– electrically actuated 230 V/50 Hz		G1/4	SDR-1/4 E	PB 47149-204
		G3/8	SDR-3/8 E	PB 47249-204

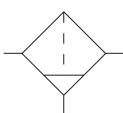
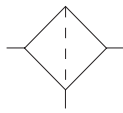
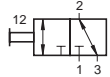


Air preparation units

Series airfit swing
G1/4, G3/8

Order instructions

Standard versions

Description	Symbol	Port size	Order instruction	
			Type	Order No.
Submicrofilter				
– Basic version		G1/4	MF 012-1/4	PB 49149-000
		G3/8	MF 012-3/8	PB 49249-000
– with metal bowl (sight glass)		G1/4	MF 012-1/4-E	PB 49149-004
		G3/8	MF 012-3/8-E	PB 49249-004
Activated carbon filter				
– Basic version		G1/4	MC 012-1/4	PB 49449-000
		G3/8	MC 012-3/8	PB 49549-000
– with metal bowl (sight glass)		G1/4	MC 012-1/4-E	PB 49449-004
		G3/8	MC 012-3/8-E	PB 49549-004
3/2 Way shut-off valve				
– 3/2 Way shut-off valve		G1/4	SDV-1/4-XS	PB 46749-101
		G3/8	SDV-3/8-XS	PB 46849-101

Accessories

Description	For type	Order No.
Mounting kit	Standard	PL16965
Mounting kit	SR...T	PL18519
Gauge Ø 40, 0–10 bar, G1/8*	SK, SR, SR-T	KZ8813
Coupling kit		PL16959
Porting block kit 3 x G1/8, 1 x G1/4 (coupling kit included)		PL16969
Porting block kit 3 x G1/8, 1 x G1/4 for pressure switch (mounting material included)		PL16977
Bowl guard kit		PL16970-00
Keylock for pressure regulating valve	SR...X	PL17127
Keylock for 3/2 Way shut-off valve	SDV	KG9017
Solvent resistant sight glass	SL	PL07233
Special oil for oil mist lubricators 1 l (see page 191)		KY8766

* for more gauges see page 186, 187

For more information see accessories page 40, 41



Air preparation units

Series airfit swing
G1/4, G3/8

Accessories
– Porting block kit

To provide unlubricated air
e.g. for air gun

Versions:

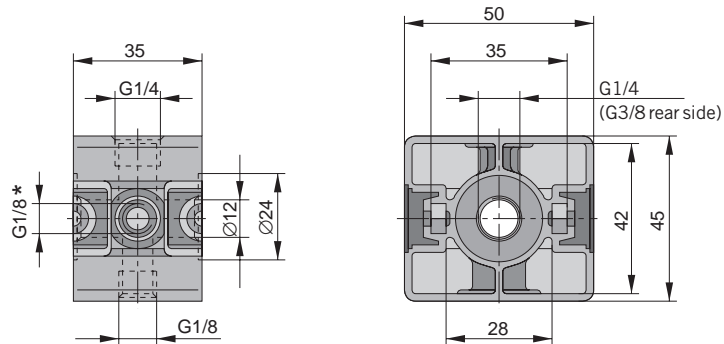
- Standard
- For pressure switch mounting

Delivery includes:

- 1 porting block
- 1 coupling kit
- Plug screws

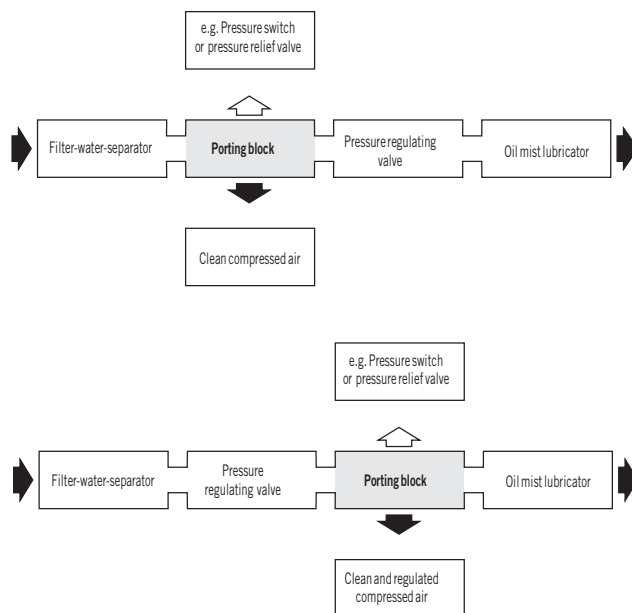
Characteristics	Description
Installation	Between 2 units of the airfit swing series
Mounting	Directly flange mountable with coupling kit supplied
Material	Zinc diecasting, black finish

Dimensions



* G1/8 thread on both sides

Installation instructions



Order instructions

Description	Order instruction	
	Type	Order No.
Porting block kit – standard G1/4 - G3/8	SX	PL 16969
Porting block kit – for pressure switch mounting	SXH	PL16977
Porting block kit – NPTF 1/4 standard	SX-US	PL17826

Dimensions in mm

Air preparation units

Series *airfit swing*
G1/4, G3/8

Accessories
– Bowl guard kit

The bowl guard protects the plastic bowl of filter-water-separators, oil mist lubricators, and filter-regulators against external damage.

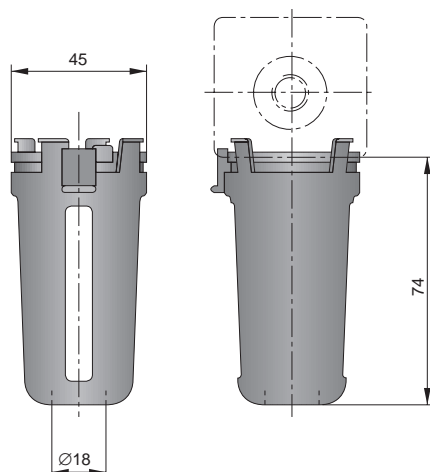
Delivery includes:

1 bowl guard
(with snap mounting)

Bowl guard kit

Characteristics	Description
Mounting	With snap mounting
Material	Zinc diecasting, polymer (POM)

Dimensions



Order instructions

Port size	Order No.
G1/4, G3/8	PL 16970-00

Accessories

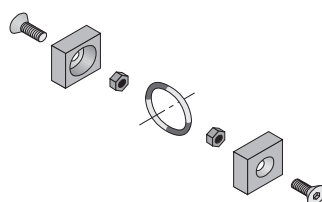
- Mounting kit
- Coupling kit
- Solvent resistant sight glass
- Keylock
- Gauges

Mounting kit



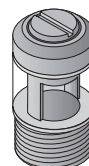
Order No. PL16965

Coupling kit



Order No. PL16959

Solvent resistant sight glass



Order No. PL07233

Keylock for pressure regulator Type: SR...-X



Order No. PL17127

Gauge Ø40, 0–10 bar, G1/8



Order No. KZ8813

Dimensions in mm

