

# Valve island with quick-connect fittings IM11 – Ø 4, 6, 8 mm

*ORIGA – simply the first*

  
**HOERBIGER**  
*because performance counts*



# IM11 – the modular valve island

The high-performance valve islands IM 11 are the ideal solution for all applications. The modular construction makes it possible to use very different types of valves with different nominal diameters.

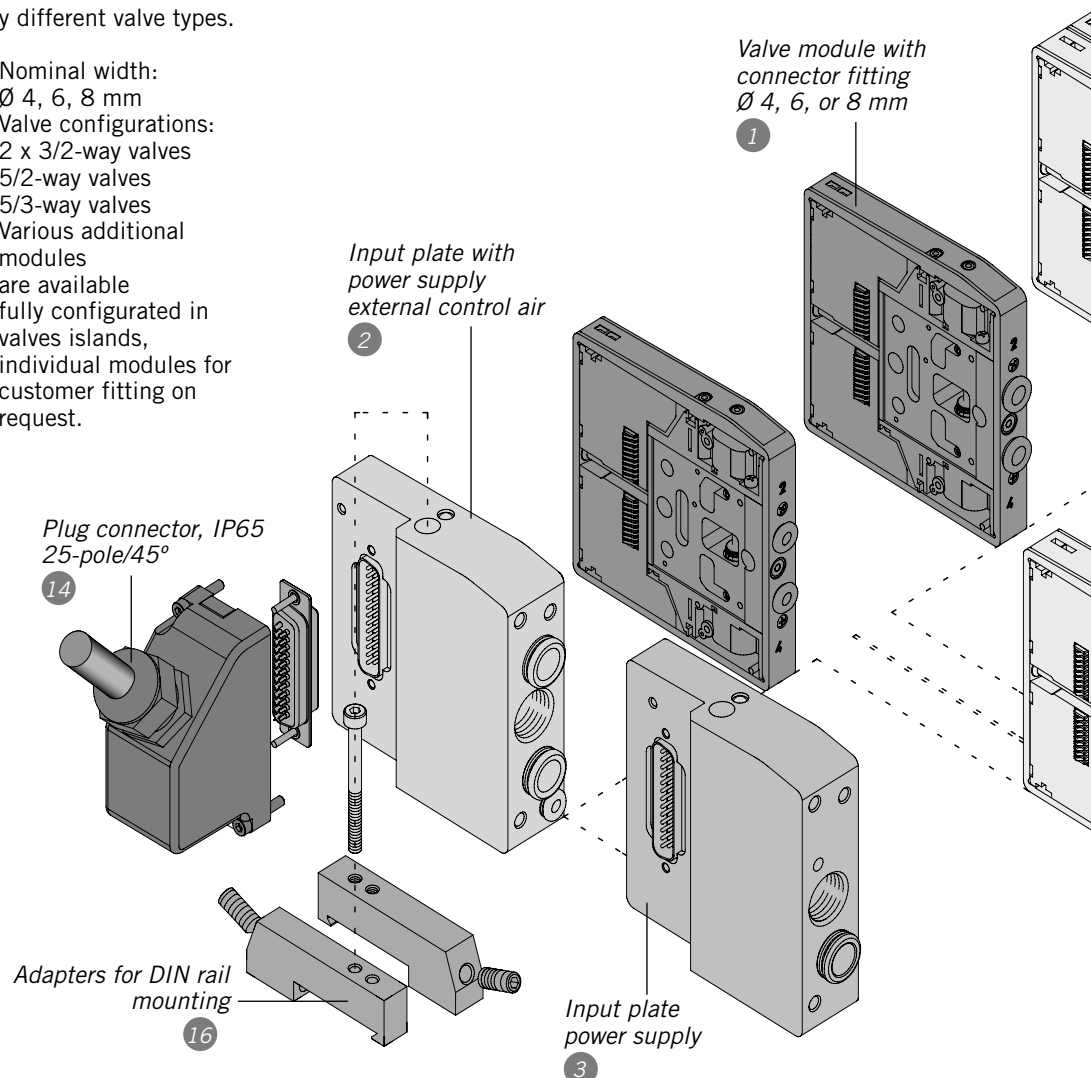
## IM11 valve islands are characterised by

- rugged, aesthetically pleasing, dirt-repelling design
- compact dimensions
- time required for re-fitting is very short
- electric connection internal via contact plug
- 3 very different nominal sizes can be used in 1 valve island
- low power input
- protection rating IP65
- valve islands with from 2 - 16 valves
- quick-connect fittings Ø 4, 6, 8 mm accessible from one side
- all instructions regarding functions are together on one side
- many fitting options

## Configurations

IM11 valve islands can be configured from any of 3 different nominal sizes and very different valve types.

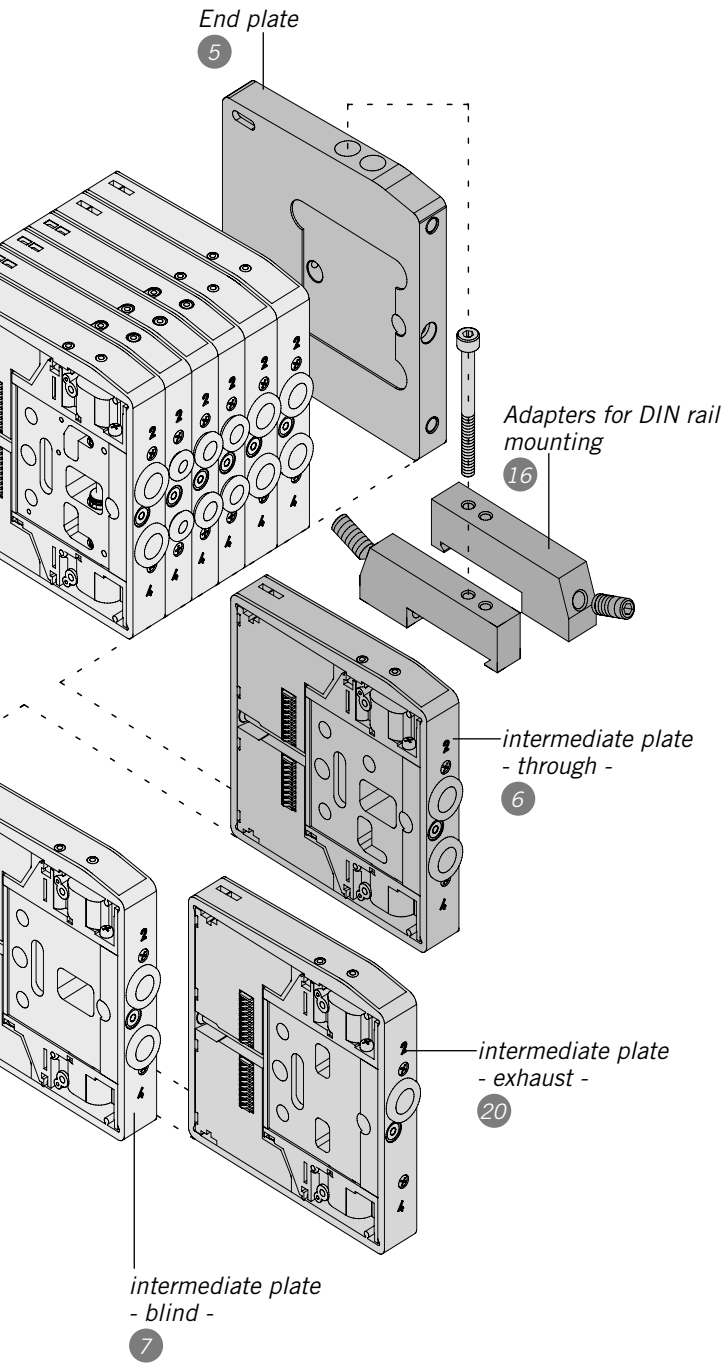
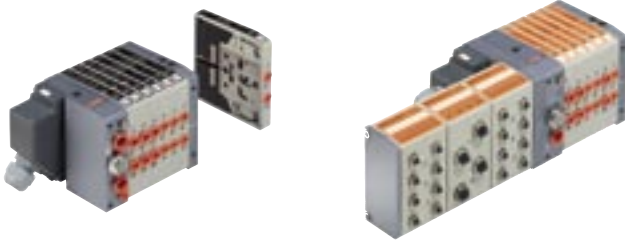
- Nominal width: Ø 4, 6, 8 mm
- Valve configurations: 2 x 3/2-way valves  
5/2-way valves  
5/3-way valves
- Various additional modules
- are available fully configured in valve islands, individual modules for customer fitting on request.



● The position numbers on the elements allow fast identification of function and assembly position of the individual elements illustrated.

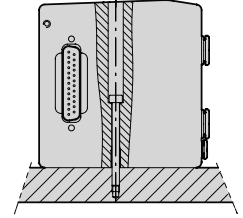
**Standard  
Valve island  
IM11**

**Option  
Valve island IM11 with  
CM valve system**

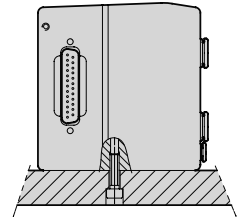


**Fitting options**

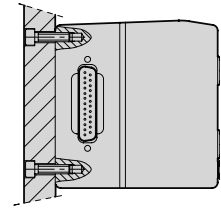
**Fitting method A:**  
Input plate 1 or 1-11 and end plate is used for fitting.



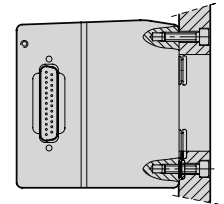
**Fitting method B:**  
Input plate 1 or 1-11 and end plate is used for fitting via the M5 threaded hole in the base.



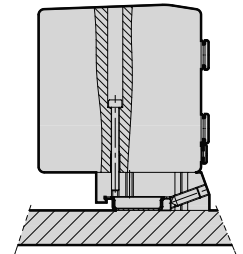
**Fitting method C:**  
Input plate 1 or 1-11 and end plate is used for fitting via the M5 threaded hole on the side



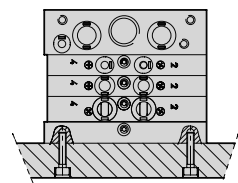
**Fitting method D:**  
Input plate 1 or 1-11 and end plate is used for fitting via the threaded hole on the side. An opening for air supply hoses must be provided in the plate.



**Fitting method E:**  
Input plate 1 or 1-11 and end plate is used for fitting on DIN rail, using the adapter PD 49586 (pos.-no. 16)



**Fitting method F:**  
Lateral fitting on the end plate using the M4 threaded holes on the side.



## Valve island

Series IM11

Connection size can be configured:  
with valves

NW Ø 4

NW Ø 6

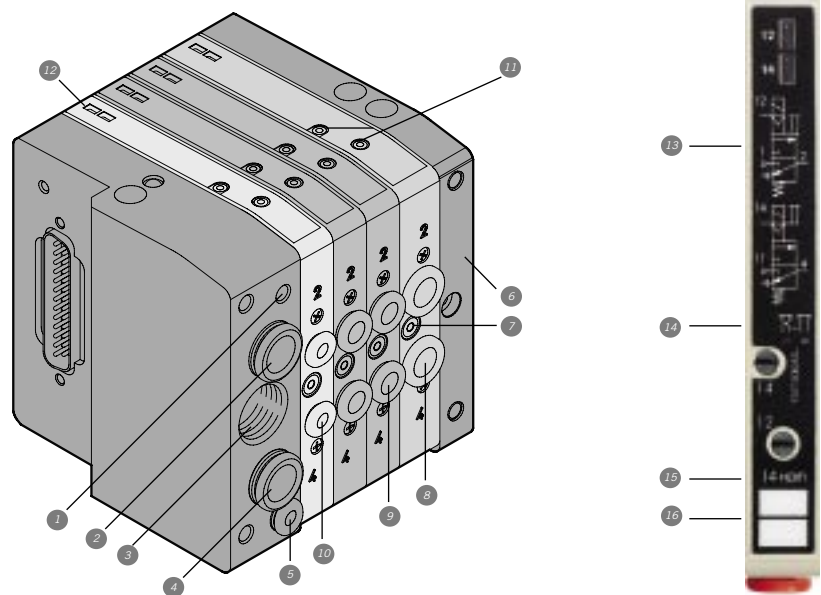
NW Ø 8

### Characteristics

Characteristics	Symbol	Unit	Description
General			
Connection size			
- Connection 2, 4		mm	quick-connect fitting Ø 4, 6, 8
- Connection 1, 11		mm	quick-connect fitting Ø 10
- Connection 3, 5			G3/8
- Connection X		mm	quick-connect fitting Ø 4
Maximum number of control items			16
Maximum number of valves			16 (identical with the max. number of control items)
Range of ambient and medium temperature	$T_{min}$ $T_{max}$	°C °C	-10 +60 Note: Before using below freezing point (°C) customers are requested to consult with us.
Medium			filtered and un-oiled compressed air; if oiled, then continuous
Pneumatic characteristics			
Nominal pressure	$p_n$	bar	6
Operating pressure range			
- input plate 1	$p_{min/max}$	bar	2 to 7 valve connections 1+11
- input plate 1-11	$p_{min/max}$	bar	2 to 7 control connections X valve connections 1+11
	$p_{min/max}$	bar	-0.9 to 10 valve connections 1+11
Throughput rating	$Q_N$	l/min	Ø 4: 200 Ø 6: 500 Ø 8: 800
Electric characteristics			
Voltage range		VDC	24 ± 10%
Power consumption		W	0.6
Drive control			PNP or NPN
Insulation class			F155
Protection rating		IP65	with exhaust air connected
Duty cycle	ED	%	100

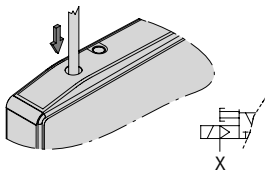
### Technical overview

- ① Exhaust - drive control 82/84
- ② Valve connection 1
- ③ Exhaust - threaded connection 3/5
- ④ Valve connection 11
- ⑤ Control air connection X
- ⑥ End plate
- ⑦ Screw for valve connection
- ⑧ Working connection for hose Ø 8 mm
- ⑨ Working connection for hose Ø 6 mm
- ⑩ Working connection for hose Ø 4 mm
- ⑪ Manual override
- ⑫ LED (LED = ON, valve is activated)
- ⑬ pneumatic switch symbol
- ⑭ Identification for pushbutton override or locking override
- ⑮ Type designation of valve
- ⑯ free area for labelling



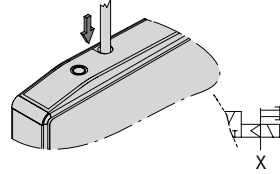
## Description of manual override function

### Manual pushbutton override



#### for connection 2

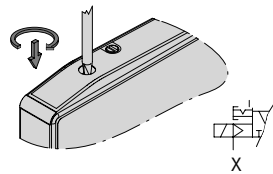
- Press the pushbutton fully down...
  - Keep the manual device in the pushed-down position (not required with the bi-stable valve of type K)
  - Let go the manual device:
- On the valve types I, W, L, V, F the manual device returns to the home position and the valve resets itself.
- On the valve type K the manual device remains in position and the valve remains switched over.
- On the valve type O the manual device does not fully return to the home position but the valve resets itself



#### for connection 4

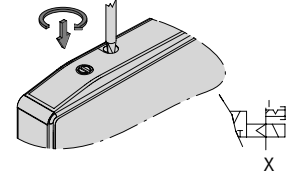
- Press the pushbutton fully down
  - Keep the manual device in the pushed-down position (not required with the bi-stable valve of type K)
  - Let go the manual device:
- The manual device returns to the home position.
- The valves of type I, W, L, O reset themselves.
- The valve of type K remains switched over.
- The valves of type V and F do not have this manual device.

### Manual locking override



#### for connection 2

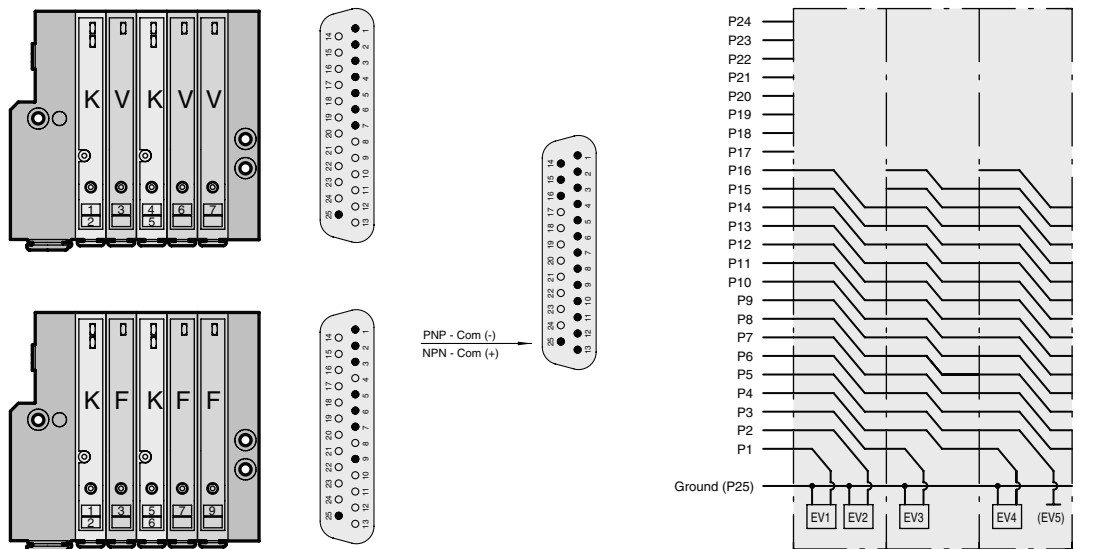
- Press the pushbutton fully down and then turn clockwise up to the stop.
  - Leave the manual device in that position.
  - Turn the manual device anti-clockwise up to the stop and then let go.
- On the valve types I, W, L, V, F the manual device returns to the home position and the valve resets itself.
- On the valve type K the manual device remains in position and the valve remains switched over.
- On the valve type O the manual device does not fully return to the home position but the valve resets itself.



#### for connection 4

- Press the pushbutton fully down and then turn clockwise up to the stop.
  - Leave the manual device in that position.
  - Turn the manual device anti-clockwise up to the stop and then let go.
- The manual device returns to the home position.
- The valves of type I, W, L, O reset themselves.
- The valve of type K remains switched over.
- The valves of type V and F do not have this manual device.

## Assignment of terminals



Note: Type F of the mono-stable valves uses one pin only (as does V) but occupies 2 signals

Dimensions of valve modules see pages 6 – 9, order data see pages 13 – 14, accessories see pages 11 – 12

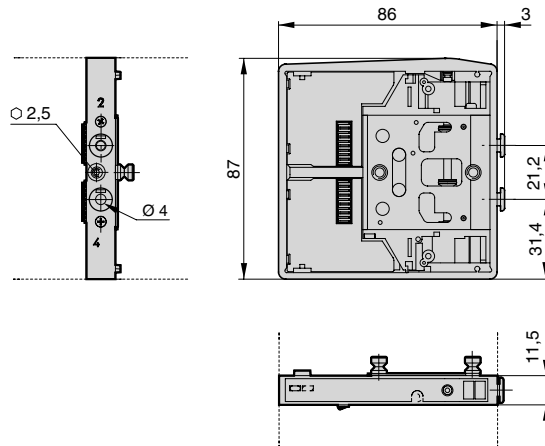
Dimensions in mm

# Valve island

Series IM11

Valve module  
with quick-connect  
fitting  
Ø 4 mm

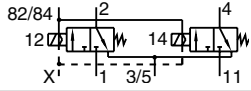
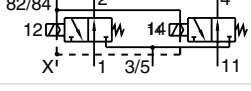
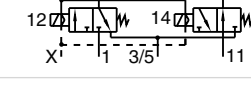
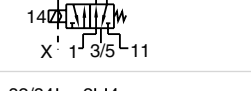

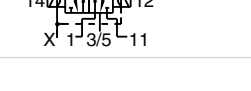
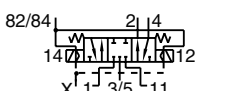
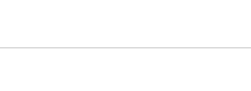


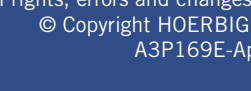

Dimensions – Valve modules IM11 Ø 4  
Pos. No. ①



### Weight (mass)

Valve version	Weight (kg)
I4T/I4R	0.130
W4T/W4R	0.130
L4T/L4R	0.130
V4T/V4R	0.115
F4T/F4R	0.115
K4T/K4R	0.130
O4T/O4R	0.130

### Type overview – Valve modules IM11 Ø 4

Valve code no.	Description	Manual override	Symbol
I4T	2x3/2-way valve, NG* mono-stable	pushbutton override	
I4R	2x3/2-way valve, NG* mono-stable	locking override	
W4T	2x3/2-way valve, NO* mono-stable	pushbutton override	
W4R	2x3/2-way valve, NO* mono-stable	locking override	
L4T	2x3/2-way valve, NO*+NG* mono-stable	pushbutton override	
L4R	2x3/2-way valve, NO*+NG* mono-stable	locking override	
V4T	5/2-way valve mono-stable (1PIN)	pushbutton override	
V4R	5/2-way valve mono-stable (1PIN)	locking override	
F4T**	5/2-way valve mono-stable (2PIN)	pushbutton override	
F4R**	5/2-way valve mono-stable (2PIN)	locking override	
K4T	5/2-way valve bi-stable	pushbutton override	
K4R	5/2-way valve bi-stable	locking override	
O4T	5/3-way valve centre position blocked, spring return to middle position	pushbutton override	
O4R	5/3-way valve centre position blocked, spring return to middle position	locking override	

\* NG = normally closed

\* NO = normally open

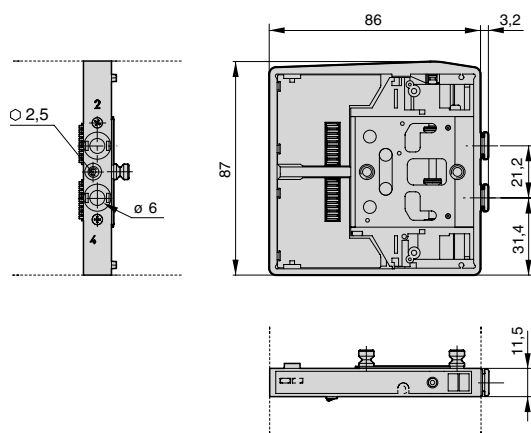
\*\* uses one PIN only (as type V) and occupies 2 signals

Order details see pages 13 – 14

Accessories see pages 11 – 12

Dimensions in mm

**Dimensions – Valve modules IM11 Ø 6**  
Pos. No. 1

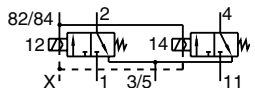
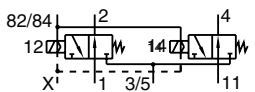
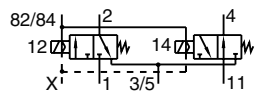

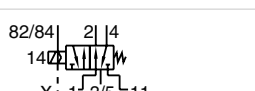
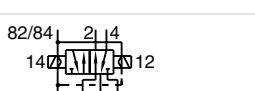

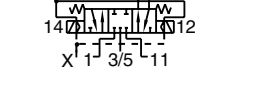
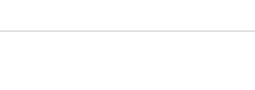






## Valve island

Series IM11

Valve module  
with quick-connect  
fitting  
Ø 6 mm

**Type overview – Vales modules IM11 Ø 6**

Valve code no.	Description	Manual override	Symbol
I6T	2x3/2-way valve, NG* mono-stable	pushbutton override	
I6R	2x3/2-way valve, NG* mono-stable	locking override	
W6T	2x3/2-way valve, NO* mono-stable	pushbutton override	
W6R	2x3/2-way valve, NO* mono-stable	locking override	
L6T	2x3/2-way valve, NO*+NG* mono-stable	pushbutton override	
L6R	2x3/2-way valve, NO*+NG* mono-stable	locking override	
V6T	5/2-way valve mono-stable (1PIN)	pushbutton override	
V6R	5/2-way valve mono-stable (1PIN)	locking override	
F6T**	5/2-way valve mono-stable (2PIN)	pushbutton override	
F6R**	5/2-way valve mono-stable (2PIN)	locking override	
K6T	5/2-way valve bi-stable	pushbutton override	
K6R	5/2-way valve bi-stable	locking override	
O6T	5/3-way valve centre position blocked, spring return to middle position	pushbutton override	
O6R	5/3-way valve centre position blocked, spring return to middle position	locking override	

\* NG = normally closed

\* NO = normally open

\*\* uses one PIN only (as type V) and occupies 2 signals

Order details see pages 13 – 14

Accessories see pages 11 – 12

Dimensions in mm

**Weight (mass)**

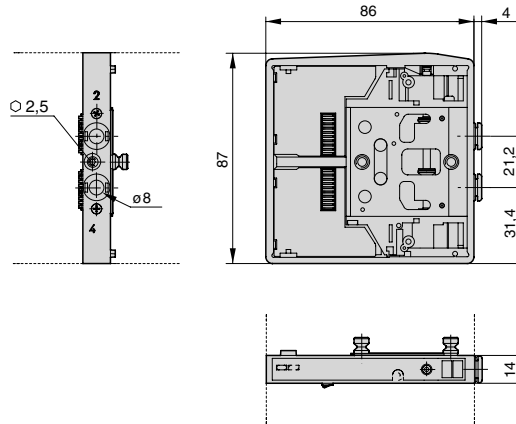
Valve version	Weight (kg)
I6T/I6R	0.130
W6T/W6R	0.130
L6T/L6R	0.130
V6T/V6R	0.115
F6T/F6R	0.115
K6T/K6R	0.130
O6T/O6R	0.130

# Valve island

Series IM11

Valve module  
with quick-connect  
fitting  
Ø 8 mm

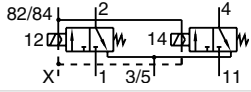
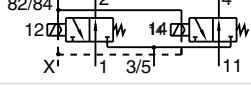
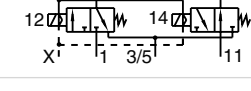


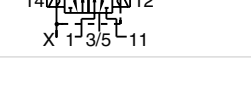
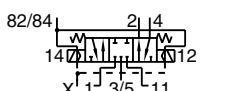



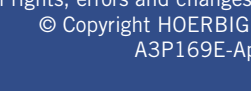

## Dimensions – Valve modules IM11 Ø 8 Pos. No. 1



### Weight (mass)

Valve version	Weight (kg)
I8T/I8R	0.130
W8T/W8R	0.130
L8T/L8R	0.130
V8T/V8R	0.115
F8T/F8R	0.115
K8T/K8R	0.130
O8T/O8R	0.130

### Type overview – Valve modules IM11 Ø 8

Valve code no.	Description	Manual override	Symbol
I8T	2x3/2-way valve, NG* mono-stable	pushbutton override	
I8R	2x3/2-way valve, NG* mono-stable	locking override	
W8T	2x3/2-way valve, NO* mono-stable	pushbutton override	
W8R	2x3/2-way valve, NO* mono-stable	locking override	
L8T	2x3/2-way valve, NO*+NG* mono-stable	pushbutton override	
L8R	2x3/2-way valve, NO*+NG* mono-stable	locking override	
V8T	5/2-way valve mono-stable (1PIN)	pushbutton override	
V8R	5/2-way valve mono-stable (1PIN)	locking override	
F8T**	5/2-way valve mono-stable (2PIN)	pushbutton override	
F8R**	5/2-way valve mono-stable (2PIN)	locking override	
K8T	5/2-way valve bi-stable	pushbutton override	
K8R	5/2-way valve bi-stable	locking override	
O8T	5/3-way valve centre position blocked, spring return to middle position	pushbutton override	
O8R	5/3-way valve centre position blocked, spring return to middle position	locking override	

\* NG = normally closed

\* NO = normally open

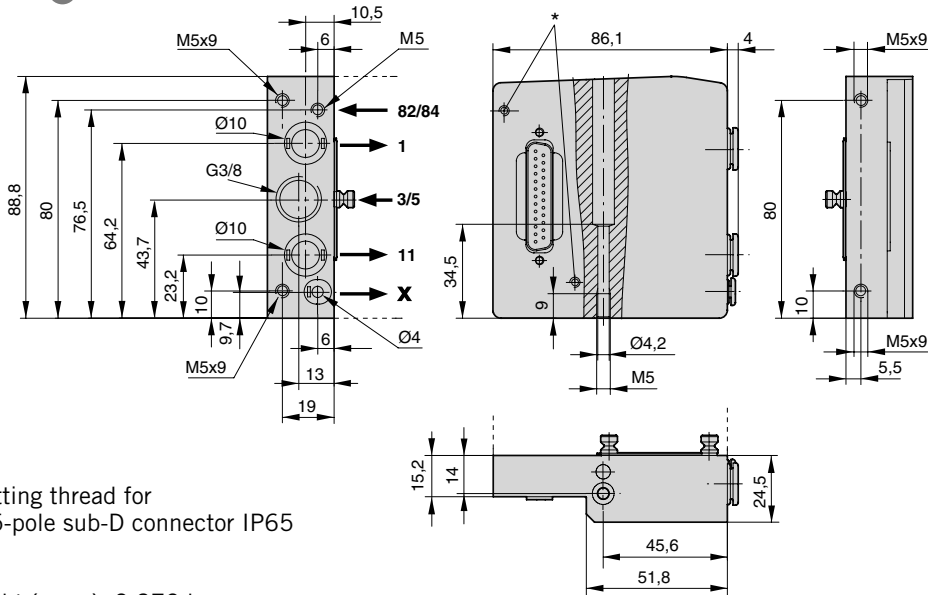
\*\* uses one PIN only (as type V) and occupies 2 signals

Order details see pages 13 – 14

Accessories see pages 11 – 12

Dimensions in mm

**Dimensions – input plate for separate air supply**  
**Type: 1-11-25D**  
**Pos. No. 2**



\* Fitting thread for  
 25-pole sub-D connector IP65

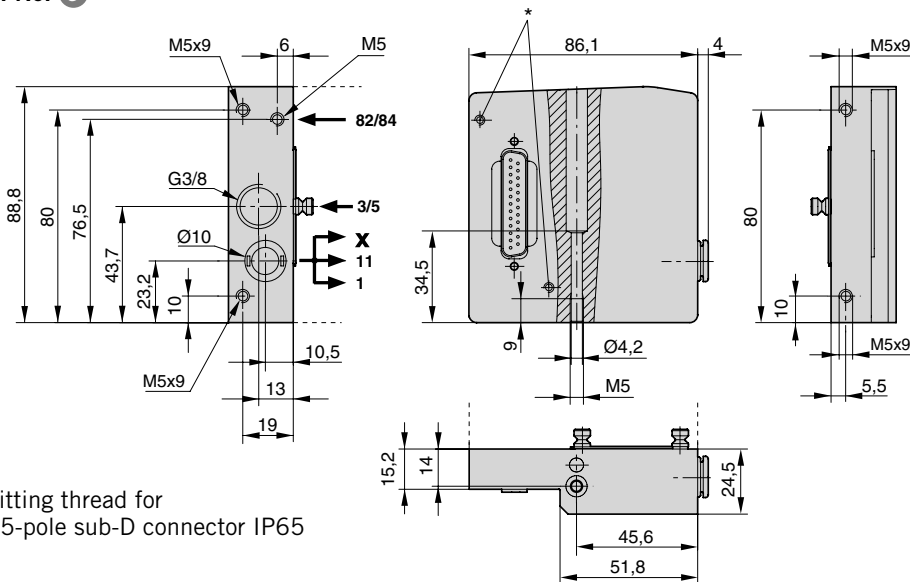
Weight (mass): 0.370 kg

## Valve island

Series IM11

- Input plate for separate air supply
- Input plate for combined air supply

**Dimensions – input plate for combined air supply**  
**Type: 1-25D**  
**Pos. No. 3**



\* Fitting thread for  
 25-pole sub-D connector IP65

Weight (mass): 0.370 kg

Order details see pages 13 – 14  
 Accessories see pages 11 – 12

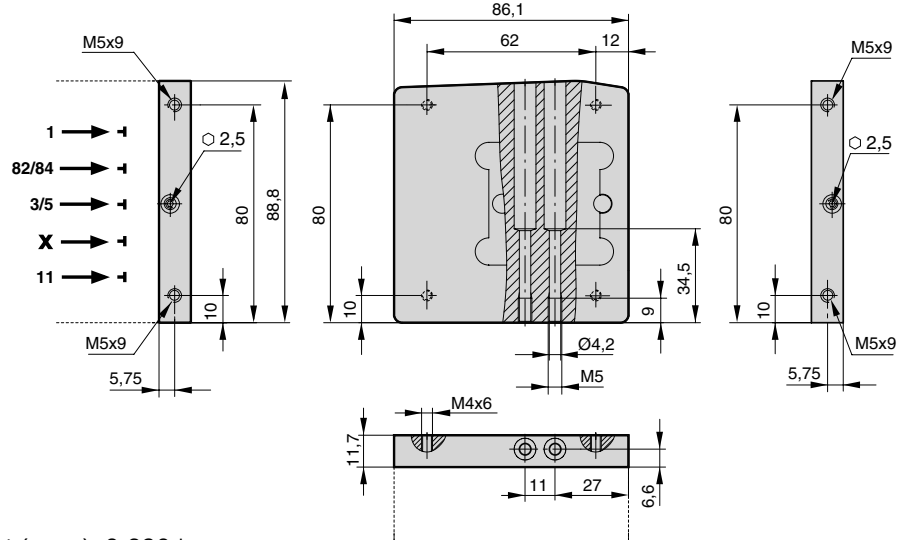
Dimensions in mm

# Valve island

Series IM11

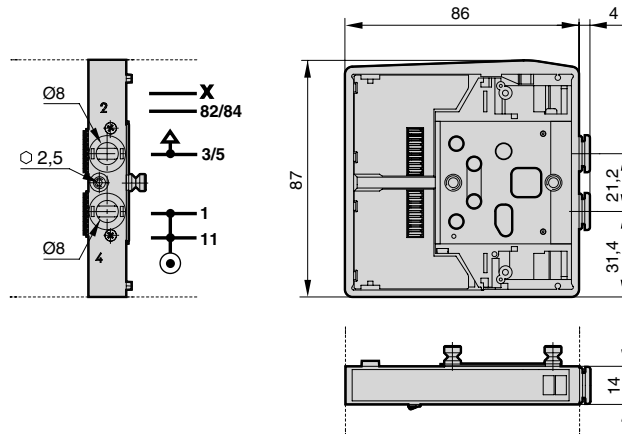
- End plate (without connection)
- Intermediate plate - through -

Dimensions – End plate (without connection)  
Pos. No. 5



Weight (mass): 0.230 kg

Dimensions – Intermediate plate - through -  
Pos. No. 6

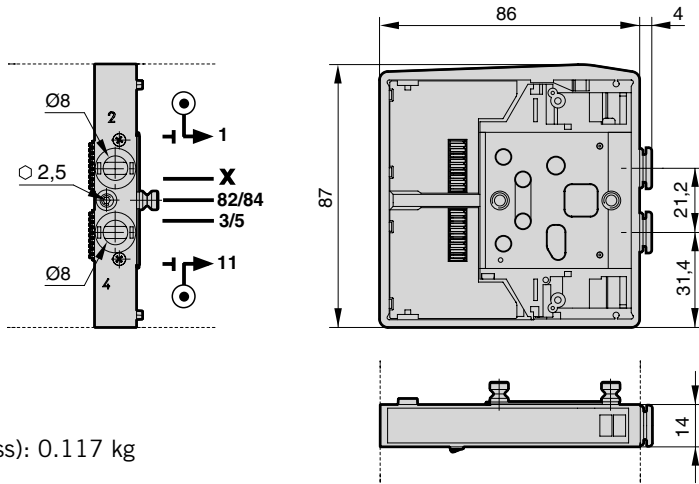


Weight (mass): 0.120 kg

Order details see pages 13 – 14  
Accessories see pages 11 – 12

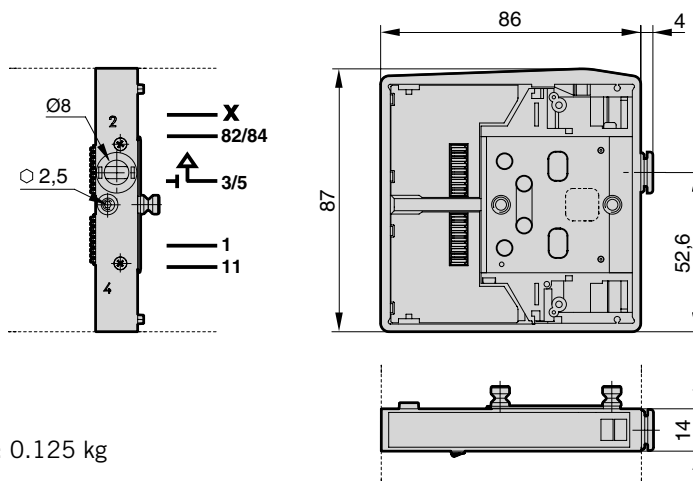
Dimensions in mm

**Dimensions – intermediate plate - blind -  
Pos. No. 7**



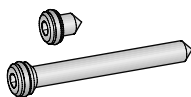
Weight (mass): 0.117 kg

**Dimensions – intermediate plate - exhaust -  
Pos. No. 20**



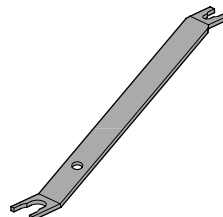
Weight (mass): 0.125 kg

**Stud bolts  
(set)**



Packaging unit: 1 piece each

**Tool for detaching the hose  
type: RL17**



Length: 140 mm

## Valve island

Series IM11

- Intermediate plate - blind -
- Intermediate plate - exhaust -

Accessories  
- stud bolts  
- tools

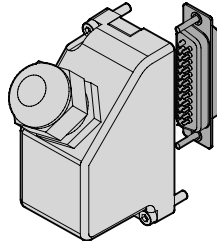
# Valve island

Series IM11

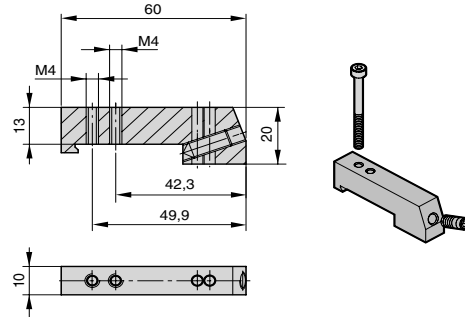
### Accessories

- Sub-D connector 25-pole
- Adapter for DIN rail mounting
- Connecting cable with plug
- Silencer for quick-connect fitting

Sub-D connector, IP65  
25-pole / 45°  
pos. no. 14

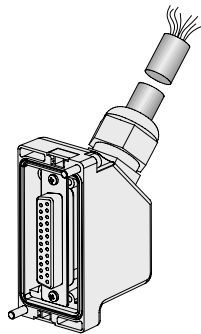


Adapter for DIN rail mounting  
pos. no. 16



The adapters should be ordered in pairs.

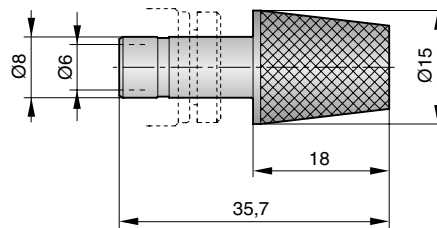
Connecting cable with Sub-D connector, IP65  
25-pole / 45°



Cable length:  
1 m, 2.5 m, 5.0 m, 10 m

Assignment of terminals for cables with Sub-D connectors					
No. of electrical contact	Colour of associated conductor	No. of electrical contact	Colour of associated conductor	No. of electrical contact	Colour of associated conductor
1	blue/black	10	brown/white	19	yellow/black
2	red/brown	11	red/orange	20	white
3	white/black	12	light blue	21	blue/white
4	red/blue	13	yellow/white	22	brown
5	black/orange	14	yellow	23	green/white
6	yellow/red	15	red/green	24	red
7	black/brown	16	orange	25	green/black
8	white/red	17	orange/white	26	
9	red/black	18	green	27	

Silencer for quick-connect fitting Ø 8



Order details see page 14

Dimensions in mm

### Order instructions – Valve island IM11

Order No.							
P	A	1	0	5	7	0	-
							Number of valve places

Valve assignment																					
Input plate	Valve positions 1 – 20																			End plate	
	1	2	3	4	5	6	7	8	9	10	11	12	13	14	15	16	17	18	19		20
																					5

Valve places
01
02
03
04
05
06
▼
20

Order code for input plates		
Code	Description	Page
3	Input plate 1-25D	9
2	Input plate 1-11-25D	9

Code	Description	Manual override	Page
I8T	2x3/2-way valve, NG*, mono-stable	pushb. override	8
I8R	2x3/2-way valve, NG*, mono-stable	locking override	8
W8T	2x3/2-way valve, NO*, mono-stable	pushb. override	8
W8R	2x3/2-way valve, NO*, mono-stable	locking override	8
L8T	2x3/2-way valve, NO*+NG*, mono-stable	pushb. override	8
L8R	2x3/2-way valve, NO*+NG*, mono-stable	locking override	8
V8T	5/2-way valve, mono-stable (1PIN)	pushb. override	8
V8R	5/2-way valve, mono-stable (1PIN)	locking override	8
F8T	5/2-way valve, mono-stable (2PIN)	pushb. override	8
F8R**	5/2-way valve, mono-stable (2PIN)	locking override	8
K8T**	5/2-way valve, bi-stable	pushb. override	8
K8R	5/2-way valve, bi-stable	locking override	8
O8T	5/3-way valve, centre position blocked, spring return to middle position	pushb. override	8
O8R	5/3-way valve, centre position blocked, spring return to middle position	locking override	8
6	Intermediate plate - through -		10
7	Intermediate plate - blind -		11
20	Intermediate plate - exhaust -		11

\* NG = Normally closed

\* NO = Normally open

\*\* use one PIN only (as type V) and occupies 2 signals

It is possible to have an even or an uneven number of valve positions! Please make sure to state the codes for the required valve types and intermediate plates.

When assigning valve positions it is important to remember that the max. number of drive controls available!

Order code for valves and sandwich plates			
Code	Description	Manual override	Page
I4T	2x3/2-way valve, NG*, mono-stable	pushb. override	6
I4R	2x3/2-way valve, NG*, mono-stable	locking override	6
W4T	2x3/2-way valve, NO*, mono-stable	pushb. override	6
W4R	2x3/2-way valve, NO*, mono-stable	locking override	6
L4T	2x3/2-way valve, NO*+NG*, mono-stable	pushb. override	6
L4R	2x3/2-way valve, NO*+NG*, mono-stable	locking override	6
V4T	5/2-way valve, mono-stable (1PIN)	pushb. override	6
V4R	5/2-way valve, mono-stable (1PIN)	locking override	6
F4T	5/2-way valve, mono-stable (2PIN)	pushb. override	6
F4R**	5/2-way valve, mono-stable (2PIN)	locking override	6
K4T**	5/2-way valve, bi-stable	pushb. override	6
K4R	5/2-way valve, bi-stable	locking override	6
O4T	5/3-way valve, centre position blocked, spring return to middle position	pushb. override	6
O4R	5/3-way valve, centre position blocked, spring return to middle position	locking override	6
I6T	2x3/2-way valve, NG*, mono-stable	pushb. override	7
I6R	2x3/2-way valve, NG*, mono-stable	locking override	7
W6T	2x3/2-way valve, NO*, mono-stable	pushb. override	7
W6R	2x3/2-way valve, NO*, mono-stable	locking override	7
L6T	2x3/2-way valve, NO*+NG*, mono-stable	pushb. override	7
L6R	2x3/2-way valve, NO*+NG*, mono-stable	locking override	7
V6T	5/2-way valve, mono-stable (1PIN)	pushb. override	7
V6R	5/2-way valve, mono-stable (1PIN)	locking override	7
F6T	5/2-way valve, mono-stable (2PIN)	pushb. override	7
F6R**	5/2-way valve, mono-stable (2PIN)	locking override	7
K6T**	5/2-way valve, bi-stable	pushb. override	7
K6R	5/2-way valve, bi-stable	locking override	7
O6T	5/3-way valve, centre position blocked, spring return to middle position	pushb. override	7
O6R	5/3-way valve, centre position blocked, spring return to middle position	locking override	7

Single modules for fitting by customer are available on request

## Valve island

*Series IM11*

*Accessories*

*Order instructions*

### Order instructions - Accessories

Description	Pos. No.	Order instruction	
		Type	Order No.
Sub-D connector, 25-pole, 45°	14		PD 49585
Adapter for DIN rail mounting	16		PD 49586
Connecting cable with plug, IP65, 25-pole, 45°, cable length 1 m			PD 49581
Connecting cable with plug, IP65, 25-polig, 45°, Kabellänge 2.5 m			PD 49582
Connecting cable with plug, IP65, 25-pole, 45°, cable length 5.0 m			PD 49583
Connecting cable with plug, IP65, 25-pole, 45°, cable length 10 m			PD 49584
Silencer for quick-connect fittings			PD 49587
Stud bolts (set)			PD 49588
Hose detaching tool Ø 3 to Ø 10 mm		RL17	PD 49589

## Information on application

The contents of this catalog are not binding and are only intended for informational purposes and are not to be considered as offer with legal effect. A written confirmation of order from HOERBIGER is authoritative for the conclusion of a contract; this confirmation is given solely under the respective currently applicable HOERBIGER General Terms of Sale and Delivery. These are included in our price list and in the Internet at [www.hoerbiger.com](http://www.hoerbiger.com).

All the products presented in this catalog are purely for commercial use. None of the information or contents is appropriate for private consumers. Private consumers cannot place orders based on the information in the catalog. Please contact HOERBIGER for further information.

All the products listed in this catalog are designed for typical pneumatic applications which e.g. are installed in higher-level machines. The recognized technical rules for safe and expert work are to be observed for the use and installation of pneumatic products. The precondition for the use of the products is, unless stated otherwise, correctly prepared compressed air free from aggressive media. Furthermore, the respective regulations of the legislator, the TÜV (Technical Inspection Association), the respective professional associations or the VDE (Association of Electrical, Electronic and Information Technologies) provisions also apply.

The technical data stated in this catalog is to be observed by the user. The data stated may not be exceeded nor fallen short of. If such data is not stated then it may be assumed that there are no such upper or lower limits or restrictions for particular applications. In the case of unusual physical or chemical applications, consultation and clearances are to be obtained from HOERBIGER.

Unless otherwise agreed in individual cases, the customer or end consumer is responsible for the disposal of the ORIGA products. Disposal by HOERBIGER is not included in the price and this would have to be taken into account in the event of any applicable return to and disposal by HOERBIGER.

### Technical data and representations

The technical data and illustrations have been compiled with great care and to the best of our knowledge. We cannot assume any guarantee for the up-to-dateness, correctness and completeness of the information.

The data and information such as illustrations, drawings, descriptions, dimensions, weights, materials, technical and other performances as well as the products and services described in general product descriptions, HOERBIGER catalogs, brochures and price lists of any type are subject to change and may be modified or updated at any time without prior announcement by HOERBIGER. They are only binding in so far as the contract or confirmation of order expressly refers to them. Slight deviations from such product descriptions are deemed as approved and do not affect the fulfillment of contracts in so far as these are considered acceptable to customers.

This catalog does not contain any guarantees, assured characteristics or agreements on condition by HOERBIGER for the products represented, neither expressly nor implicitly, nor with regard to the availability of the products. Advertising statements regarding quality characteristics, properties or applications of ORIGA products are without legal obligation.

As far as legally permissible, any liability is excluded on the part of HOERBIGER for direct or indirect damage, consequential damage, claims of any type and on any legal basis arising from the use of the information contained in this catalog.

### Trademarks, copyright and reproduction

The representation of industrial rights such as brands, logos, registered trademarks or patents in this catalog does not include the granting of licenses or rights of use. The use of these is not permitted without the express consent of HOERBIGER. The entire contents of this catalog are the intellectual property of HOERBIGER. Within the meaning of copyright, any unlawful use of intellectual property, even extracts, is prohibited. Reprinting, reproduction and translation (even extracts) are only permitted with the prior written consent of HOERBIGER.

### Importance of EU Directives

Various Directives have been issued by the EU Commission in the course of the unification of the single European market; the following Directives are in part of significance for ORIGA products:

- Simple pressure vessels (87/404/EWG, amended by 90/488/EWG and 93/68/EWG)
- Low-voltage electrical equipment (73/23/EWG, amended by 93/68/EWG)
- Machinery Directive (89/392/EWG, amended by 91/368/EWG, 93/44/EWG and 98/37/EG)
- Pressure Equipment Directive (97/23/EWG)
- Equipment and protective systems intended for use in potentially explosive atmospheres (ATEX Directive, 94/9/EG)
- Electromagnetic Compatibility Directive (EMV Directive, 89/336/EWG, amended by 92/31/EWG)

If a product comes within the scope of application of one of these Guidelines, then an EU Declaration of Conformity with CE mark (CE for Communauté Européenne) is required. This CE marking does not represent a quality feature but verifies that the conformity assessment procedure specified has been concluded successfully and the protective requirements of the relevant EU Directives have been observed.

Products which do not come under any of the above mentioned Directives may not bear the CE mark nor may any manufacturer's declaration according to the EU Machinery Directive or Declaration of Conformity be issued for these products.

If a product may not be CE marked according to the Machinery Directive, it must however be marked if it comes within the scope of application of any other Directive.

The following harmonized standards are applied in the design of ORIGA components and systems:

- DIN EN ISO 12100 Safety of machinery
- DIN EN 60204.1 Electrical equipment of machines
- DIN EN 983 Safety requirements for fluid power systems and their components

### The following Directives are of particular significance to HOERBIGER:

- ORIGA products in potentially explosive atmospheres, to which the above mentioned ATEX Directive applies, are treated according to the Directive and CE and EX marked.
- According to the Machinery Directive, ORIGA products are mainly components for installation in machines and therefore do not require an EU Declaration of Conformity with CE mark. HOERBIGER Origas issues a manufacturer's declaration according to the Machinery Directive for these components. This declaration corresponds to a great extent to the Declaration of Conformity with the comment that commissioning is only permitted if the machine or system conforms to the Directives. This manufacturer's declaration impacts neither our product liability based on the product liability law nor warranty assurances according to our General Terms of Sale and Delivery. Neither does the manufacturer's declaration affect our quality assurance measures according to our Quality Management Manual nor our quality certification according to ISO 9001.
- According to the Pressure Equipment Directive, ORIGA products are components of low hazard potential, thus most of the products do not come under this Directive. The exceptions to this are maintenance equipment from a certain pressure/volume level onwards. These components are treated according to the Directive if required and bear the CE mark.

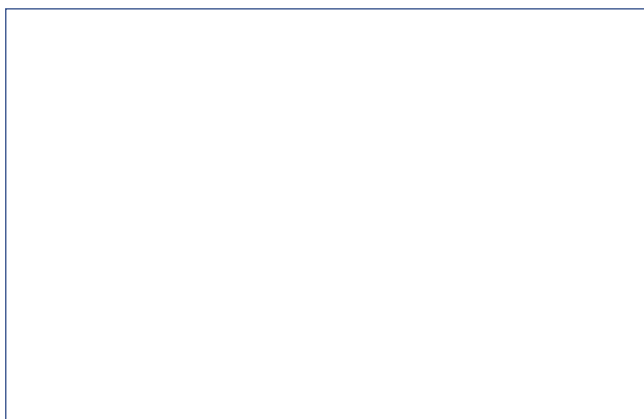
### ORIGA products are excluded from the following EU Guidelines:

- End-of-life vehicles (2000/53/EG).
- Waste Electronic and Electrical equipment (WEEE, 2002/96/EG) and Restriction on Hazardous Substances (RoHS, 2002/95/EG).
- Pressure Equipment Directive (97/23/EWG) with the above mentioned exceptions.

# Your competent partner with a worldwide service and sales network.



<b>AE</b>	HOERBIGER Service Middle East Fze • Jebel Ali Free • P.O. Box 07153 • Dubai, United Arab Emirates Tel +971 4 8814567 • Fax +971 4 8817123 • office@hoerbiger.ae
<b>AT</b>	HOERBIGER Origa Pneumatik GmbH • Dr. Alexander-Schärf-Straße 12 • AT-2700 Wiener Neustadt Tel +43 2622 26071-269 • Fax +43 2622 26071-266 • info-hoat-sales.pn@hoerbiger.com
<b>AU</b>	HOERBIGER Australia Pty. Ltd. • 21 David Street • AU-3175 Dandenong, Victoria Tel +61 3 9793 9488 • Fax +61 3 9706 8152 • info-hoau-sales@hoerbiger.com
<b>CH</b>	HOERBIGER Origa AG • Industriestr. 30 • CH-8112 Otelfingen (Zürich) Tel +41 44 846 6860 • Fax +41 44 846 6870 • info-hoch-sales@hoerbiger.com
<b>CN</b>	HOERBIGER (Wuxi) Automation Technology Co., Ltd. • A2-A, Machinery & Electronics Park • Wuxi National High-Tech Zone Wuxi 214028, China • Tel +86 510 8520 3468 • Fax +86 510 8520 3498 • info-wuxi@hoerbiger.com
<b>FR</b>	HOERBIGER Origa SAS • 9 Avenue du Québec • FR-91978 Courtaboeuf Cedex Tel +33 1 69 29 22 00 • Fax +33 1 69 29 22 10 • info-hofr-sales@hoerbiger.com
<b>GB</b>	HOERBIGER Origa Ltd. • Unit 12 Brunel Court • Waterwells Business Park • Gloucester GL2 2AL, UK Tel +44 8700 600655 • Fax +44 8700 600656 • info-hogb-sales@hoerbiger.com
<b>IT</b>	HOERBIGER Origa SRL • S.P. 14 Rivoltana, 35 int. 4 • IT-20096 Pioltello Mi Tel +39 02 92 16 65 53 • Fax +39 02 92 16 67 77 • info-hoit-sales@hoerbiger.com
<b>NL</b>	HOERBIGER Origa B.V. • Plaza 11C • NL-4782 SL Moerdijk Tel +31 168 356 600 • Fax +31 168 356 601 • info-honl-sales@hoerbiger.com
<b>NO</b>	HOERBIGER Origa AS • Postboks 2173 Strø msØ • NO-3003 Drammen Tel +47 3 288 08 40 • Fax +47 3 282 83 20 • info-hose-sales@hoerbiger.com
<b>MY</b>	HOERBIGER Origa Sdn Bhd • No. 10 & 12 Lorong IKS Juru 3 • MY-14100 Juru, Simpang Ampat, Penang Tel +60 4 508 10 11 • Fax +60 4 508 21 22 • info-hosg-sales@hoerbiger.com
<b>SE</b>	HOERBIGER Origa AB • Kungsgatan 14, Box 67 • SE-73622 Kungsör Tel +46 227 411 00 • Fax +46 227 411 29 • info-hose-sales@hoerbiger.com
<b>US</b>	HOERBIGER Origa Corporation • 100 West Lake Drive • IL-60139 Glendale Heights, Illinois, USA Tel +1 630 871 830-0 • Fax +1 630 871 1515 • info-hous-sales@hoerbiger.com



**HOERBIGER Origa GmbH**  
Industriestr. 8  
70794 Filderstadt, Germany  
Phone +49 7158 1703-0  
Fax +49 7158 64870  
info-hode-sales@hoerbiger.com

Hotline – DE:  
01805 432 666

[www.hoerbiger.com](http://www.hoerbiger.com)