

Contents

Description	Page
Exhaust silencers, sintered metal	42
Exhaust silencers, plastic	43
Strainers, brass	44, 45
Screw-in sieves, brass	46, 47

**Exhaust silencers,
strainers,
screw-in sieves**

- *Exhaust silencers,
sintered metal*
- *Exhaust silencers,
plastic*
- *Strainers, brass*
- *Screw-In sieves, brass*



Exhaust silencers M5 – G1

Exhaust silencers

Series D1, D1K

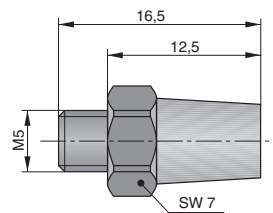


Exhaust silencers disperse the exhaust air, reduce exhaust noise and prevent the ingress of dirt into components

Characteristics			Pressures quoted as gauge pressure						
Characteristics	Symbol	Unit	Description						
General features									
Type	Single-chamber principle								
Port size	M5	G1/8	G1/4	G3/8	G1/2	G3/4	G1		
Weight (mass)									
– Type D1	kg	0.002	0.07	0.013	0.032	0.067	0.121	0.209	
– Type D1I		–	0.013	–	–	–	–	–	
– Type D1K	kg	–	0.003	0.007	0.009	–	–	–	
Ambient temperature range	T_{max}	°C	+250 (danger of icing in lower temperature range)						
Material	Sintered bronze (on M5, threaded part is bronze)								
Grain size	mm	0.3 to 0.6							
Pneumatic characteristics									
Operating pressure range	p_{min}	bar	0						
	p_{max}	bar	16						

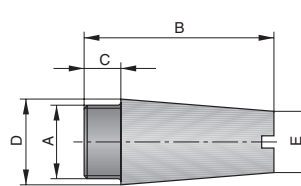
Dimensions Type: 50030

Port size M5



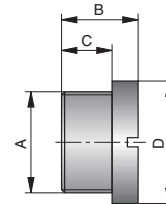
Dimensions Type: D1

Port size G1/8–G1



Dimensions Type: D1K

Port size G1/8–G3/8



Order Instructions: KY8869

Dimension table and order instructions

A	B	C	D	E	Order Instructions	
					Type	Order No.
G1/8 i	22	8	Ø 15	Ø 12	D1-06I	PD 20636
G1/8	21	6	Ø 11	Ø 8	D1-06	KY 2010
G1/8	10	6	Ø 12	–	D1K-06	KY 2260
G1/4	27	8	Ø 14	Ø 10	D1-08	KY 2011
G1/4	12	8	Ø 15	–	D1K-08	KW 0705
G3/8	38	8	Ø 18	Ø 15	D1-10	KY 2012
G3/8	12	8	Ø 20	–	D1K-10	KW 0706
G1/2	44	10	Ø 24	Ø 19	D1-15	KY 2013
G3/4	63	12	Ø 30	Ø 20	D1-20	KY 2014
G1	77	15	Ø 36	Ø 25	D1-25	KY 2015

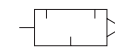


Dimensions in mm

Exhaust silencers M5 – G1

Exhaust silencers

Series D1-..K



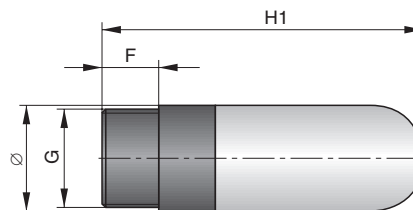
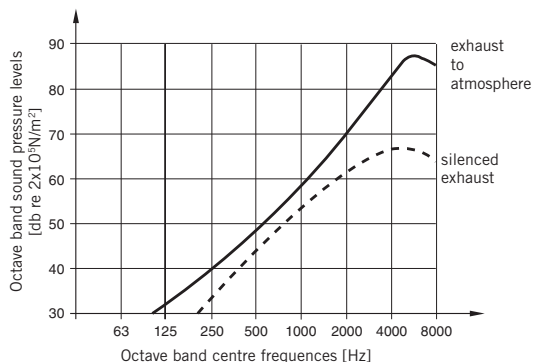
Exhaust silencers disperse the exhaust air, reduce exhaust noise and prevent the ingress of dirt into components

These exhaust silencers are recommended for use in environments where particle deposition might block the pores of sintered bronze silencers, e.g. in the cement and concrete industry

Characteristics		Pressures quoted as gauge pressure	
Characteristics	Symbol	Unit	Description
General features			
Type	Single-chamber principle		
Port size	G1/8 G1/4 G3/8 G1/2 G3/4 G1		
Ambient temperature range	T_{min}	°C	-30
	T_{max}	°C	+80
Material	Polyethylen		
Grain size	mm	0.3 – 0.6	
Medium	Highly resistant to most media, but not to chlorinated hydrocarbons (trichloroethylene, perchloroethylene or hydrogen tetrachlorides)		
Pneumatic characteristics			
Operating pressure range	p_{min}	bar	0
	p_{max}	bar	8

Noise reduction for a G1/2 valve with exhaust silencer and $p = 6$ bar

Dimensions Type: D1....K
Port size G1/8 – G1



Dimension table and order instructions

G	Ø	F	H1	Order Instructions	
				Type	Order No.
M5	6.7	3.4	20.4	D1-M5K	KY8830
G1/8	12.7	6.7	34	D1-06K	KY8831
G1/4	15.5	8.2	42.5	D1-08K	KY8832
G3/8	18.4	12.1	67.5	D1-10K	KY8833
G1/2	23	14	78	D1-15K	KY8834
G3/4	38.9	14.9	131	D1-20K	KY8835
G1	49.4	20	160	D1-25K	KY8836

Dimensions in mm



Strainers for tubings G1/4 – G2

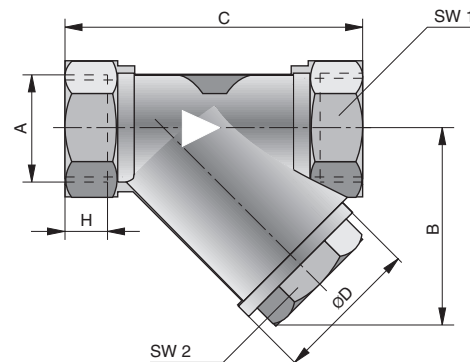
Series SFS

For direct installation
in tubings

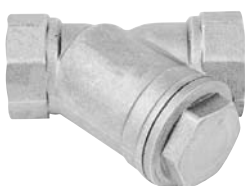
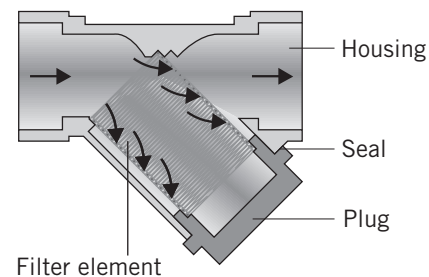
Characteristics		Pressures quoted as gauge pressure		
Characteristics	Symbol	Unit	Description	
General features				
Type	Filter element for solid particles			
Port size			G1/4	G3/8 G1/2
Weight (mass)	kg		0.170	0.155 0.165
Pore size	µm		45	
Installation				
horizontal, sieve facing dows				
Medium and ambient temperature	T _{min} T _{max}	°C	0 +150	
Material				
Brass (Filter element: sinter bronze)				
Pneumatic characteristics				
Operating pressure range	p _{min} p _{max}	bar	-1 +16	
Nominal flow ¹⁾	Q _N	l/min	1700	3700 7500
Recommended flow ¹⁾	Q	l/min	783	1320 2570

¹⁾ at 6 bar and Δp = 0,2 bar

Dimensions



Operating principle:
When air flows through the filter element, any large particles are retained. The pore size for the sinter-bronze filter element is 45 µm



Dimensions in mm

Screw-in sieve M5 – G1/4

Series SB-..G

Lathed version with fitted sieve

Material:

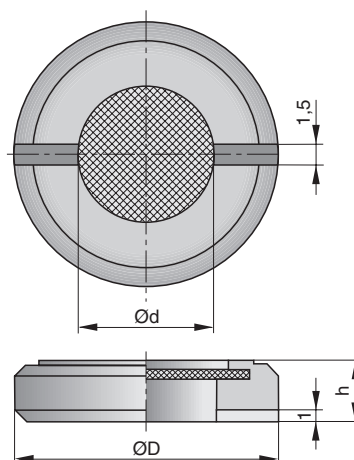
Housing: brass

Sieve: stainless steel, brass

Mesh dimension:

100 - 450 μ m

Dimensions



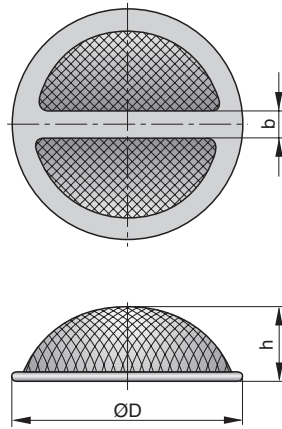
Dimension table and order instructions

ØD suitable for port size	Ød	h	Order Instructions	
			Type	Order No.
M5	2	3	SB-M5-G	KY2330
G1/8	5	5	SB-1/8-G	KY2008
G1/4	8	5	SB-1/4-G	KY2007



Dimensions in mm

Dimensions



Screw-in sieve G1/4 – G1/2

Series SB

Plate version with flanged sieve

Material:

Housing: brass plate

Sieve: stainless steel, brass

Mesh dimension:

100 - 450 μ m

Dimension table and order instructions

ØD suitable for port size	b	h	Order Instructions	
			Type	Order No.
G1/4	2.5	7	SB-14	KW0723
G3/8	2.5	9	SB-38	KY2097
G1/2	2.5	11	SB-12	KY2098

Dimensions in mm

