

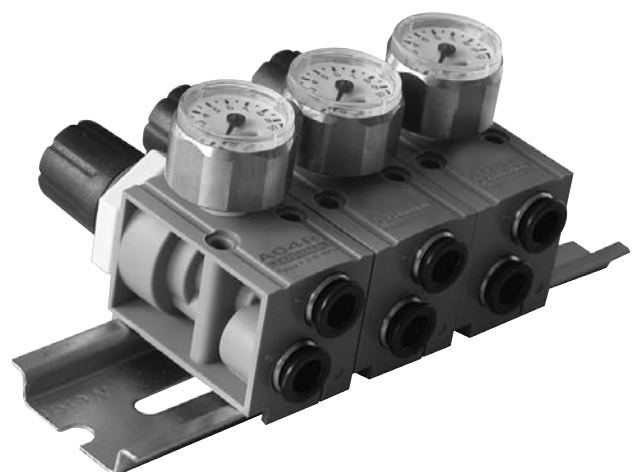
Overview

Description	Page		
	Characteristics	Dimensions	Order instructions Type overview
Pressure regulating valve	4	5	5

Pressure regulating valve

Series A04R

- *with push-in connections OD4*
- *with push-in connections OD6*



Pressure regulating valve

Series A04R

- with push-in connections OD4
- with push-in connections OD6

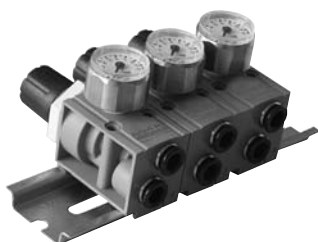
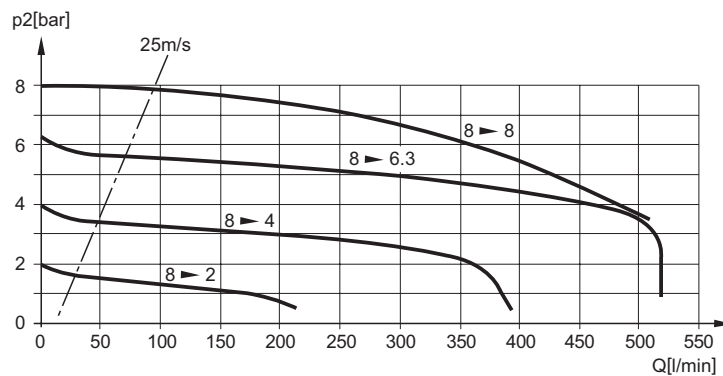
Pressure regulating valve with push-in connections
 - for panel mounting
 - for rail mounting to EN06175

Pressures quoted as gauge pressure

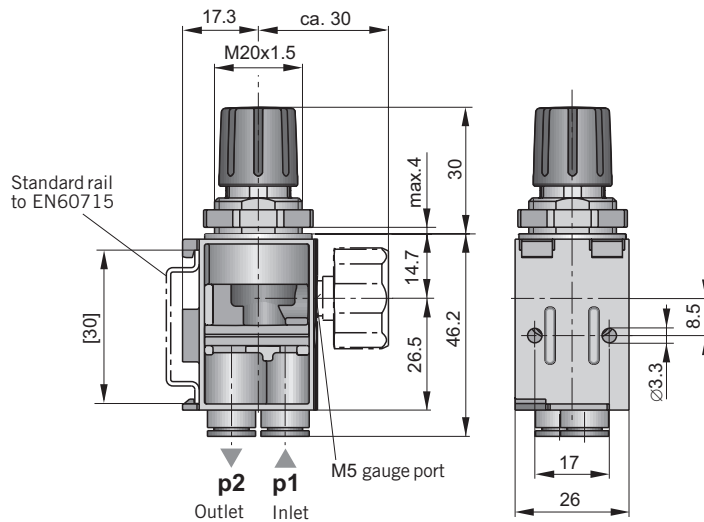
Characteristics	Symbol	Unit	Description	
System			Piston-type pressure regulating valve (spring loaded) with secondary pressure relief	
Type			A04R-Q4	A04R-Q6
Port size (tube diameter)		mm	OD 4	OD 6
Installation			In any position	
Medium and ambient temperatures	T_{min}	°C	0	
	T_{max}	°C	+50	
Weight (mass)		kg	0.05	
Pneumatic characteristics				
Operating pressure range – inlet pressure	$p_{1 min}$	bar	0	
	$p_{1 max}$	bar	10	
Operating pressure range – outlet pressure	$p_{2 min}$	bar	0.5	
	$p_{2 max}$	bar	8	
Min. pressure difference	$p_1 - p_2$	bar	0.3	
Maximum flow ¹⁾	Q_{max}	l/min	200	235
		m ³ /h	12.0	14.1

¹⁾ at $p_1 = 10$ bar and $p_2 = 6.3$ bar, $\Delta p = 1$ bar

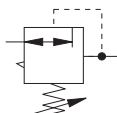
Flow characteristics – Type: A04R-Q6



Dimensions (mm)



Order instructions

Description	Symbol	Port size Tube Ø OD/ID	Order instructions	
			Type	Order No.
Basic model with push-in connections		4/2.3	A04R-Q4	PB64149-000
Basic model with push-in connections		6/4	A04R-Q6	PB64249-000

Accessories

Description	Order No.
Gauge, Ø 23, 0–10 bar, M5	KG8049-00
Y-connector for A04R-Q4 (for through p1 supply port)	KT0340
Y-connector for A04R-Q6 (for through p1 supply port)	KT0341
Elbow adaptor for A04R-Q4	KT0482
Elbow adaptor for A04R-Q6	KT0316
Standard rail to EN60715, length 187 mm – for 7 pressure regulating valves	KG5013
Standard rail to EN60715, length 287 mm – for 11 pressure regulating valves	KG5014

Dimensions in mm

